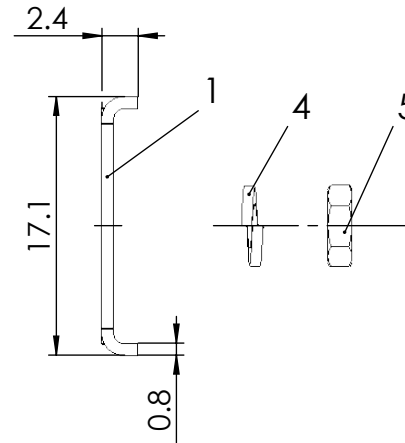
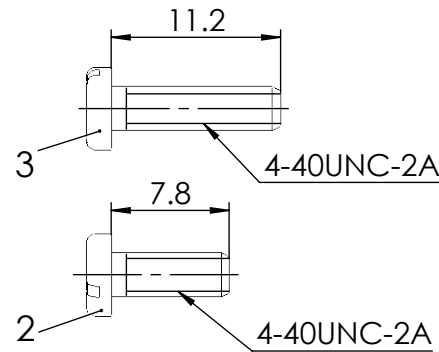
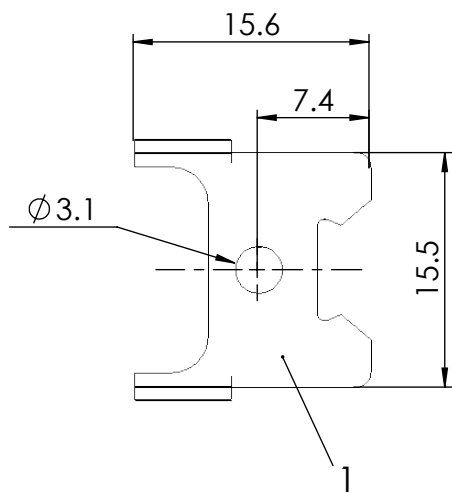


COMMENT:
 ALL RIGHTS ARE RESERVED BY US FOR THIS DRAWING. WITHOUT OUR PRIOR CONSENT,
 IT MAY NEITHER BE DUBLICATED NOR MADE AVAILABLE TO A THIRD PARTY,
 AND IT ALSO MAY NOT BE IMPROPERLY USED BY TE RECEIVER, OR A THIRD PARTY.

| 1 | 2 | 3 | | 4 | | 5 | 6 | | |
|---|-------------------------|------------------------------------|--|---|--|-----------------------------|---------|----------|--------------------------|
| | Part No. | Pos. 1 Lock plate (quantity) | Pos. 2 Screw 4-40 / 7.8mm (quantity) | Pos. 3 Screw 4-40 / 11.2mm (quantity) | Pos. 4 Spring washer (quantity) | Pos. 6 Nut (quantity) | Package | Notice | |
| A | Standard Assembly | F1044-5 | 2 | 2 | - | 2 | 2 | in pairs | Packed together in a bag |
| | Assembly on FCT Hood | F1044-5H | 2 | 2 | 2 | 2 | 2 | in pairs | Packed together in a bag |



RoHS compliant
by exemption

| MATERIAL NO. | TYPE DESCRIPTION |
|--------------|------------------|
| 1731120967 | F1044-5 |
| 1731120366 | F1044-5H |

| | | | | | |
|---|--|---|--|---|--|
| F1044 | | Stainless steel | | blank | |
| <i>Part No.</i> | | <i>Material</i> | | <i>Surface plating/Colour/Class</i> | |
| THIS DRAWING CONTAINS INFORMATION THAT IS PROPRIETARY TO MOLEX ELECTRONIC TECHNOLOGIES, LLC AND SHOULD NOT BE USED WITHOUT WRITTEN PERMISSION | | | | | |
| SYMBOLS | | DIMENSION UNITS | | SCALE | |
| $\nabla = 0$ $\nabla = 0$ $\nabla = 0$ $\nabla = 0$ $\blacktriangledown = 0$ $\nabla = 0$ $\boxtimes = 0$ $\blacksquare = 0$ $\nabla = 0$ | | mm | | 2:1 | |
| | | MEASUREMENTS WITHOUT TOLERANCE ACC. TO ISO 2768-m | | molex FCT-Lockplate F1044-5 | |
| | | CURRENT REVISION | | | |
| | | DRWN: DRAWN BY FVetter 15-02-2019 APPR: APPR BY MTeubel 15-02-2019 | | | |
| | | INITIAL REVISION | | PRODUCT CUSTOMER DRAWING | |
| | | DRWN: DRAWN BY ADenzinger 08-02-2007 APPR: APPR BY ADenzinger 17-07-2007 | | MATERIAL NUMBER | |
| REPLACEMENT FOR: | | THIRD ANGLE PROJECTION | | see table | |
| | | DRAWING | | REVISION | |
| | | A4-SIZE | | 3 | |
| | | DOCUMENT NUMBER | | CUSTOMER | |
| | | F1044-5_D | | GENERAL MARKET | |
| | | SHEET NUMBER | | 1 OF 1 | |

Mouser Electronics

Authorized Distributor

Click to View Pricing, Inventory, Delivery & Lifecycle Information:

[Molex:](#)

[173112-0366](#)