

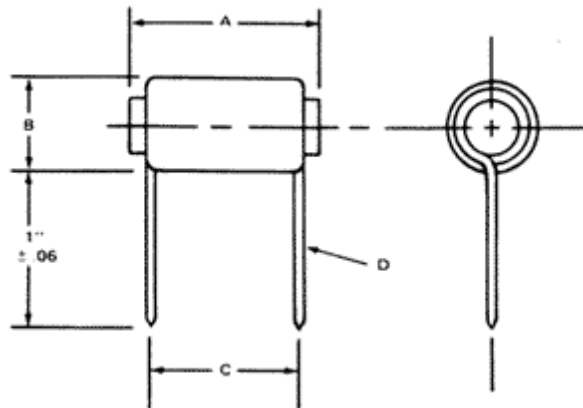


Quality Products. Service Excellence.

EMI/RFI Chokes 1538 Series

Features

- High saturation flux density ferrite rods.
- 1" long leads, tinned to within 1/8" of body.
- Ideal for filtering or energy storage inductors.
- Inductance measured at @ 1Khz. with 0 amps. D.C. current, typical inductance change is less than 5% @ twice rated current.
- Ambient temperature range -60 C to +85 C



| Part No. | Inductance L uH +/- 10% | SRF MHz | R - D.C. Max Ohms | I - D.C. Max Amps | Maximum Dim. A | Maximum Dim. B | Typ. Dim. C | Typ. Dim. D |
|----------|----------------------------|------------|----------------------|----------------------|-------------------|-------------------|----------------|----------------|
| 1538M01 | 5 | 32.4 | 0.013 | 10 | 0.88 | 0.63 | 0.50 | 0.04 |
| 1538M02 | 10 | 21.6 | 0.017 | 9 | 1.12 | 0.63 | 0.69 | 0.04 |
| 1538M03 | 27 | 5.6 | 0.03 | 7 | 0.88 | 0.81 | 0.44 | 0.04 |
| 1538M04 | 50 | 3.44 | 0.04 | 5.6 | 0.88 | 0.81 | 0.75 | 0.04 |
| 1538M05 | 100 | 2.08 | 0.061 | 4.9 | 1.12 | 0.81 | 0.94 | 0.04 |
| 1538M06 | 150 | 1.84 | 0.069 | 4.6 | 1.38 | 0.81 | 1.06 | 0.04 |
| 1538M07 | 250 | 1.1 | 0.089 | 4 | 1.62 | 0.81 | 1.31 | 0.04 |
| 1538M08 | 5 | 27.2 | 0.009 | 14 | 0.88 | 0.64 | 0.75 | 0.05 |
| 1538M09 | 10 | 21.7 | 0.012 | 12 | 1.12 | 0.64 | 1.00 | 0.05 |
| 1538M10 | 27 | 5.6 | 0.022 | 9 | 0.88 | 0.88 | 0.56 | 0.05 |
| 1538M11 | 50 | 4.4 | 0.028 | 8 | 1.12 | 0.88 | 0.75 | 0.05 |
| 1538M12 | 68 | 3.6 | 0.034 | 7.3 | 1.12 | 0.88 | 0.88 | 0.05 |
| 1538M13 | 100 | 2.4 | 0.038 | 6.8 | 1.38 | 0.88 | 1.00 | 0.05 |
| 1538M14 | 150 | 1.6 | 0.046 | 6.3 | 1.62 | 0.88 | 1.25 | 0.05 |
| 1538M15 | 5 | 34.7 | 0.006 | 19 | 1.12 | 0.69 | 0.81 | 0.07 |
| 1538M16 | 10 | 20 | 0.008 | 16 | 1.38 | 0.94 | 1.22 | 0.07 |
| 1538M17 | 27 | 6.2 | 0.014 | 12.5 | 1.12 | 0.94 | 0.69 | 0.07 |
| 1538M18 | 50 | 3.8 | 0.02 | 10.5 | 1.38 | 0.94 | 0.94 | 0.07 |

| Part No. | Inductance L uH +/- 10% | SRF MHz | R - D.C. Max Ohms | I - D.C. Max Amps | Maximum Dim. A | Maximum Dim. B | Typ. Dim. C | Typ. Dim. D |
|----------|----------------------------|------------|----------------------|----------------------|-------------------|-------------------|----------------|----------------|
| 1538M19 | 68 | 3.2 | 0.023 | 10 | 1.38 | 0.94 | 1.12 | 0.07 |
| 1538M20 | 100 | 2.2 | 0.027 | 10 | 1.62 | 0.94 | 1.31 | 0.07 |
| 1538M21 | 5 | 30.8 | 0.004 | 23 | 1.38 | 0.72 | 0.94 | 0.08 |
| 1538M22 | 10 | 20 | 0.006 | 20 | 1.69 | 0.72 | 1.50 | 0.08 |
| 1538M23 | 27 | 6.4 | 0.01 | 15 | 1.38 | 1.00 | 0.94 | 0.08 |
| 1538M24 | 50 | 3.5 | 0.013 | 15 | 1.62 | 1.00 | 1.12 | 0.08 |

Data subject to change without notice

© 2022. Hammond Manufacturing Ltd. All rights reserved.

Mouser Electronics

Authorized Distributor

Click to View Pricing, Inventory, Delivery & Lifecycle Information:

Hammond:

[1538M17](#) [1538M13](#) [1538M15](#) [1538M11](#) [1538M19](#) [1538M12](#) [1538M16](#) [1538M10](#) [1538M18](#) [1538M14](#) [1538M21](#)
[1538M23](#) [1538M20](#) [1538M24](#) [1538M22](#) [1538M01](#) [1538M09](#) [1538M05](#) [1538M07](#) [1538M03](#) [1538M04](#) [1538M08](#)
[1538M02](#) [1538M06](#)