

D Sub Connectors

Plastic Junction Shell

3485 Series



- Uses standard hardware
- Light weight, compact size
- Full family of sizes

TS-0037-09
Sheet 1 of 2

Date Modified: February 19, 1999

16

Physical

Shell

Material: Glass Filled Polyester (PBT)

Flammability: UL 94V-0

Color: Gray

Insert: Brass

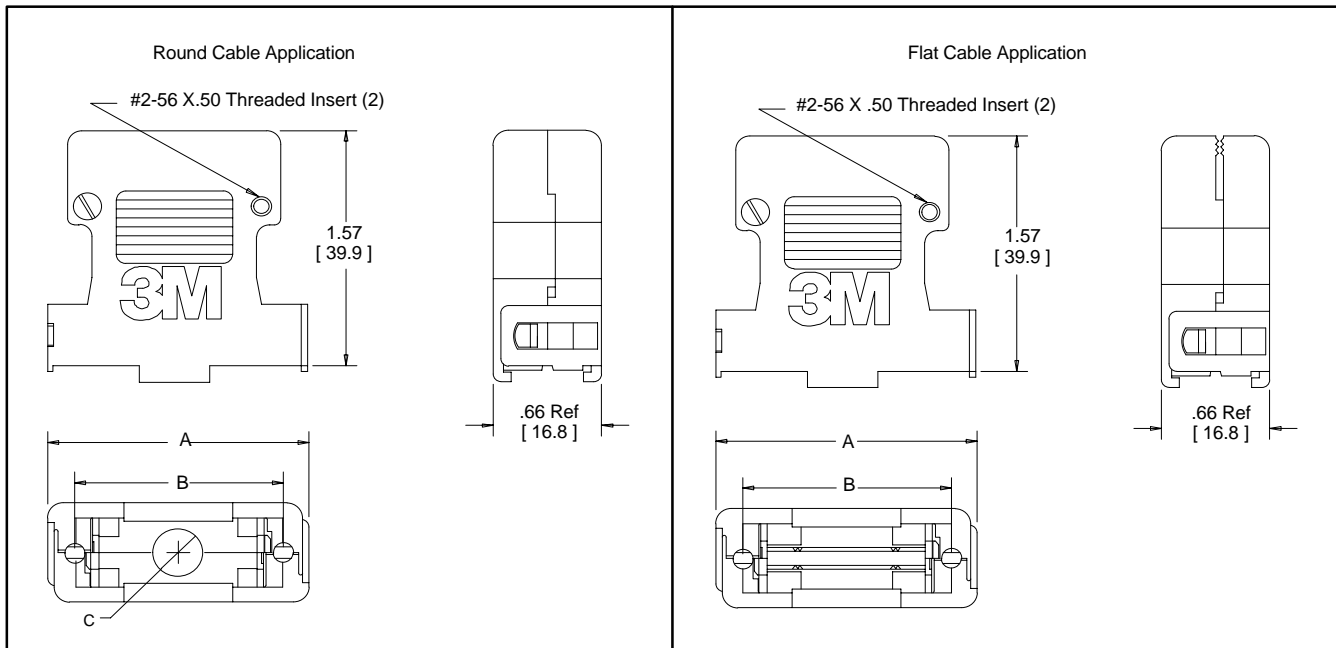
Tape: 3M +130C Rubber Tape (3485-2X00F Only)

Screw: (2) 2-56 × .50 Roundhead Steel Zinc

Mounting Hardware: See Specification Sheet TS-0142

D Sub Connector Plastic Junction Shell

3485 Series



Used On 3M Connector	Dimensions		
	A Ref	B Ref	C Ref
8209, 8309	1.30 [33.0]	0.98 [24.9]	0.27 [6.86]
8215, 8315	1.63 [41.4]	1.31 [33.3]	0.28 [7.11]
8225, 8325	2.17 [55.1]	1.85 [47.0]	0.34 [8.64]
8237, 8337	2.82 [71.6]	2.50 [63.5]	0.38 [9.65]

Note:
Use only with thru hole style flange on connector.
Inserts will interfere with shell housing.

Inch
[mm]

Tolerance Unless Noted			
	.0	.00	.000
Inch	± .1	± .01	± .005

[] Dimensions for Reference only

Ordering Information

3485-2X00X

Contact Quantity:
1 = 9 Position
2 = 15 Position
3 = 25 Position
4 = 37 Position

Cable Type:
F = Flat Cable
R = Round Cable

TS-0037-09
Sheet 2 of 2

3M Interconnect Solutions Division

6801 River Place Blvd.
Austin, TX 78726-9000

For technical, sales or ordering information call
800-225-5373