

MICRO SWITCH

FREERPORT, ILLINOIS, U.S.A.
A DIVISION OF HONEYWELL

FED. MFG. CODE 91929

SWITCH - TOGGLE

CATALOG LISTING
4TL1 SERIES
CHART 2

THIS DRAWING COVERS A PROPRIETARY ITEM AND IS THE PROPERTY OF MICRO SWITCH, A DIVISION OF HONEYWELL. THIS DRAWING IS NOT TO BE COPIED OR USED WITHOUT THE APPROVAL OF MICRO SWITCH.

CATALOG LISTING
4TL1 SERIES
CHART 2

PAGE 1 OF 1
RELEASE NO. PR-9364

ISSUE
M
31

REVISIONS

A	CO-81150
	J A K 20 JUN 95
B	C092162
	J A K 5 MAR 98
C	CO 94440
	G R T 23 NOV 99

CHECK

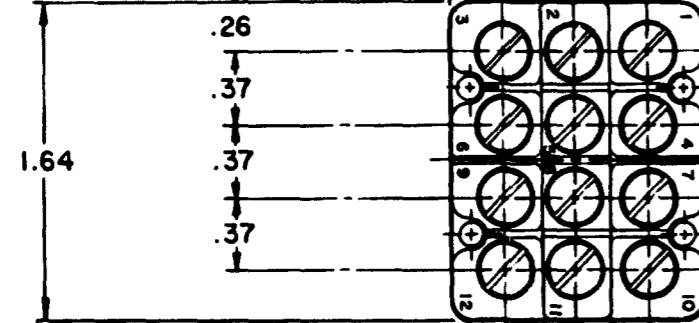
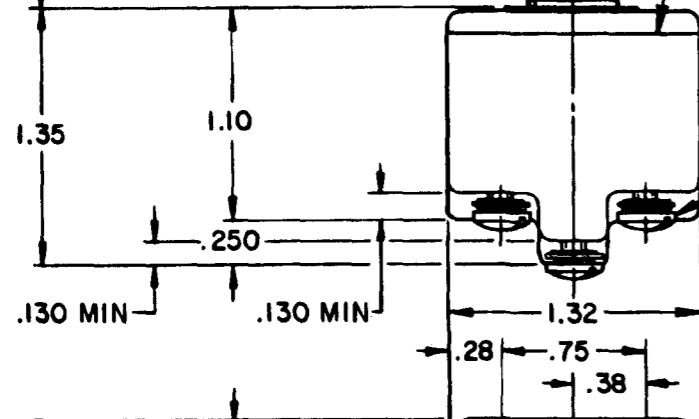
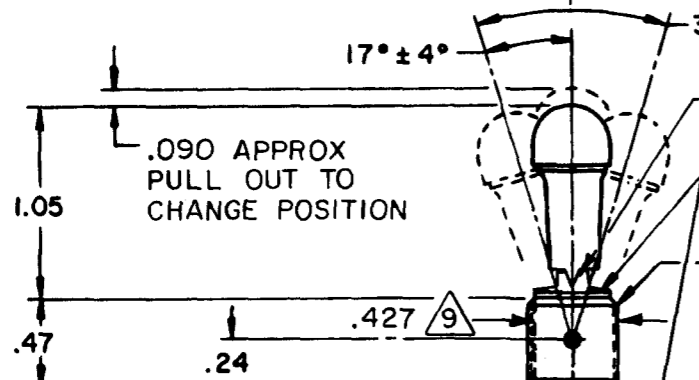
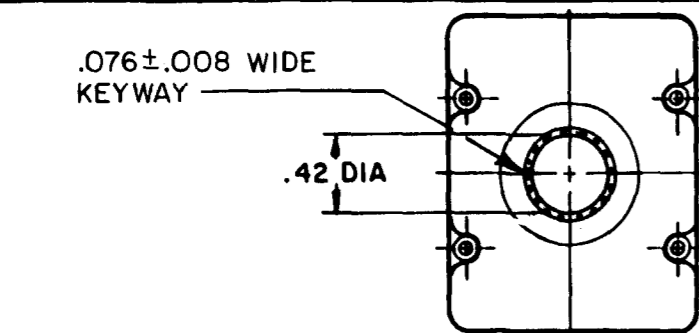
CHECK

9 DEC 82

CHECK

7 DEC 82

FORMTEK
DRAWN

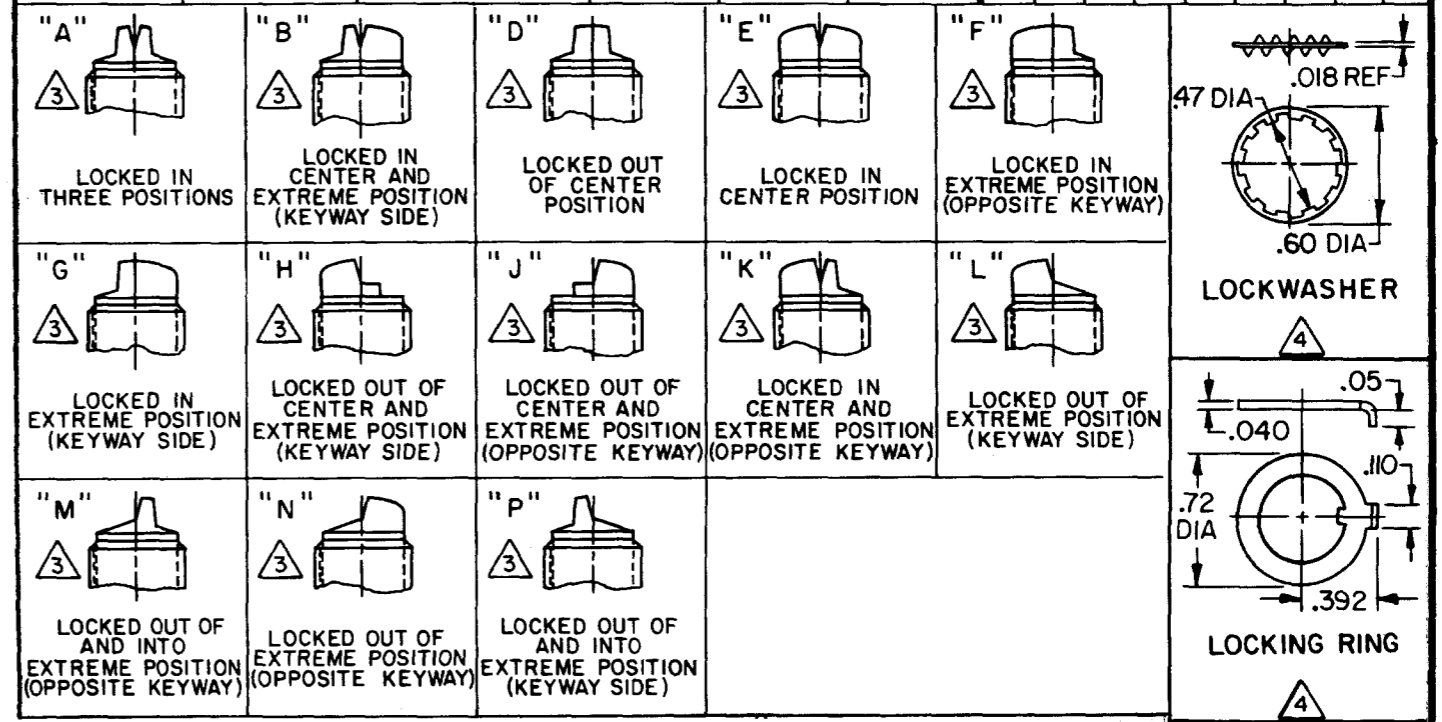


15A-125, 250 OR 277 VAC 1/2HP-125VAC; 1HP-250, 277VAC 5A-125VAC "L" CODE L191	CE UL
10A-125, 250, 277 VAC 1/4HP-125VAC; 1/2HP-250, 277VAC 3A-125VAC "L" CODE 192	CE UL

SEE LOCKING DETAILS FOR DESCRIPTION ("A" LOCKING INSERT SHOWN)
SEALED TO PREVENT ENTRANCE OF LIQUIDS OR DUST
15/32-32 UNS-2 THREAD TO WITHIN .060 OF SHOULDER

6-32 UNC X .260 REF BINDING HEAD TERMINAL SCREW AND LOCKWASHER (SEMS) (12)

MS NUMBER	CATALOG LISTING	AVAILABLE LOCKING COMBINATIONS FOR CONFIGURATION SEE LETTERING DETAILS	CIRCUIT MADE WITH TOGGLE LEVER IN			MILITARY RATING (AMPS)								
			KEYWAY SIDE (1-2, 4-5) (7-8, 10-11)	CENTER (1-2, 4-5) (7-8, 10-11)	OPPOSITE KEYWAY (2-3, 5-6) (8-9, 11-12)	RESISTIVE LOAD DC VOLTS		LAMP LOAD IAC VOLTS		IND. LOAD				
7	7					28	125	250	125	250	28	125	28	125
24660-21	4TL1-1	AB,DE,F,G,H,J,K,L,M,NP	ON	OFF	ON									
24660-22	4TL1-2	D, F, G	OFF	NONE	ON									
24660-23	4TL1-3	D, F, G	ON	NONE	ON	20	.75	.5	15	6	5	4	12	15
24660-24	4TL1-21	E, F, K, M	NONE	OFF	ON	(REFER TO L191 FOR UL RATING)								
24660-33	4TL1-31	E, F, K, M	NONE	ON	ON									
24660-29	4TL1-4	F	MOM OFF	NONE	ON									
24660-31	4TL1-5	E, F, K, L, M, N	MOM ON	OFF	ON									
24660-30	4TL1-6	F	MOM ON	NONE	OFF									
24660-27	4TL1-7	E, L, N	MOM ON	OFF	MOM ON	18	.75	.5	11	6	4	2	10	8
24660-26	4TL1-8	F	MOM ON	NONE	ON	(REFER TO L192 FOR UL RATING)								
24660-32	4TL1-51	E	NONE	ON	MOM ON									
24660-28	4TL1-61	E	MOM ON	OFF	NONE									



NOTES

- SWITCHES ARE CAPABLE OF WITHSTANDING TEMPERATURE OF 160°F CONTINUOUSLY AT FULL RATED LOAD
- CIRCUIT DESIGNATION, MICRO SWITCH CATALOG LISTING AND MS NUMBER MARKED ON SIDE OF SWITCH
- KEYWAY SHOWN ON LEFT SIDE
- FURNISHED UNASSEMBLED
- THESE SWITCHES ARE QUALIFIED UNDER MIL-S-3950
- FOR TERMINAL COVER SEE MICRO SWITCH CATALOG LISTING 5PA9
- SUFFIX LETTER MUST BE ADDED FOR DESIRED TYPE TOGGLE LOCKING SEE CHART FOR AVAILABLE LOCKING COMBINATIONS
- APPLIES ONLY TO "ON" AND "MOM ON" POSITIONS
- FROM BOTTOM OF KEYWAY TO MAJOR DIAMETER OF 15/32 THREAD

THIRD-ANGLE PROJECTION

SCALE FULL

DO NOT SCALE PRINT

TOLERANCES
APPLY TO DESIGN UNITS. CONVERSIONS ARE ONLY FOR REFERENCE. UNLESS NOTED, TOLERANCES ARE ±

	DIM.	TOL.	DIM.	TOL.
	mm	mm/in	in	mm/in
NO PLACES	X	1/64	X, X	0.003
TWO PLACES	X, X	0.4/015	X, X	0.38/015
THREE PLACES	X, X, X	0.15/006	X, X, X	0.13/005
ANGLES				

DESIGN UNITS: SI METRIC US CUSTOMARY

WEIGHT