

FEATURES

- SUS 316 float
- Compact switch design
- Solid structure, no moving parts
- High reliability and long service life
- Easy installation, simple structure, economical and durable

RS PRO FLOAT SWITCH

RS Stock No.: 2348848



RS Professionally Approved Products bring to you professional quality parts across all product categories. Our product range has been tested by engineers and provides a comparable quality to the leading brands without paying a premium price.

Product Description

- *operating principle*
- *Liquid level sensors mainly consists of magnetic Reed switch and floater . There is a magnetic material in the floater that will trigger the magnetic Reed switch as the level of the liquid tested moves up and down , and thus detecting the position of the liquid level.*
- *characteristic*
- *Liquid level sensors used imported components and is provided with characteristics such as compact size ,simple working principle, highly reliable and inexpensive.Floating balls with different materials and specifications are available for selection .Electrical parameters can be changed in accordance with client's requirement,and special specification can also be customized.*
- *Application field*
- *This product can be used in liquid level control for watering machine , water heater , solar energy ,air conditioning , moisturizing machine , bathroom utensil , vending machine ,oil tank , water tower and chemical industrial ,etc. It will be widely applied in motor vehicles ,industrial equipment , agricultural equipment and household electrical appliances in the future.*

General Specifications

Specifications	2348848
Float	Φ17*55, SUS316
Float ball	L15, SUS304
Flange seat	M12 male four needle, SUS304
Wire	UL1007 24# Black, PVC
Filling	5321A(Black)+5323B, Epoxy glue
Circuit board	FR-4
Contact form	A (NO.)
Contact rating [W]	50
Max switching voltage [V]	DC350/AC300

Breakdown voltage [V]	600VDC
Max switching current [A]	DC0.7/AC0.5
Max carry current [A]	2.5
Contact resistance [mΩ]	100max
Insulation resistance [Ω]	10 ¹⁰ min
Get an electric shock life	10 ⁶
Float pressure [MPa]	0.7
Applicable temperature [°C]	-40~+120
Withstand voltage	1000V/10S
The contact resistance [mΩ]	≤300
Insulation resistance [mΩ]	100min
IP Rating	IP65

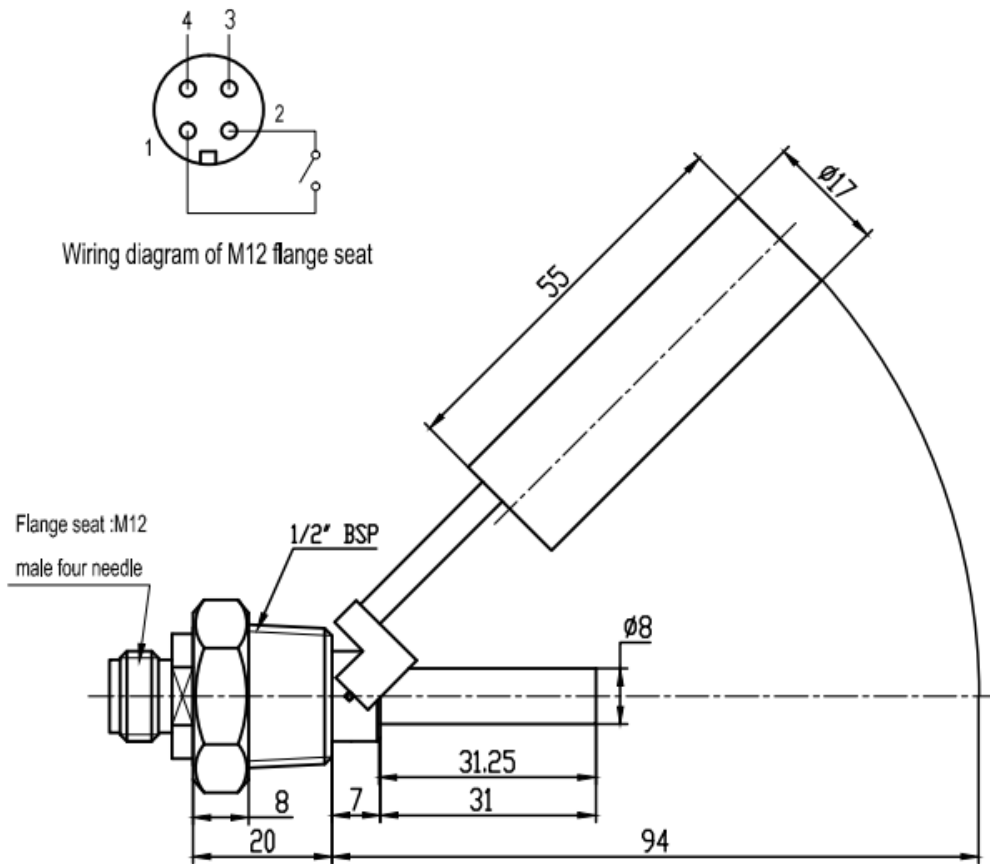
Operation Environment

Maximum Operating Temperature	+120°C
Minimum Operating Temperature	- 40°C

Approvals

Compliance/Certifications	CE
Declarations	ROHS

Dimension and Wiring



Movement explanation:

- 1、 When the float is in $10 \pm 5^\circ$, the reed switch will be closed.
- 2、 When the float is in $40 \pm 5^\circ$, the reed switch will be open.
- 3、 Protection class (switch part): IP 65 – this switch may not be submerged