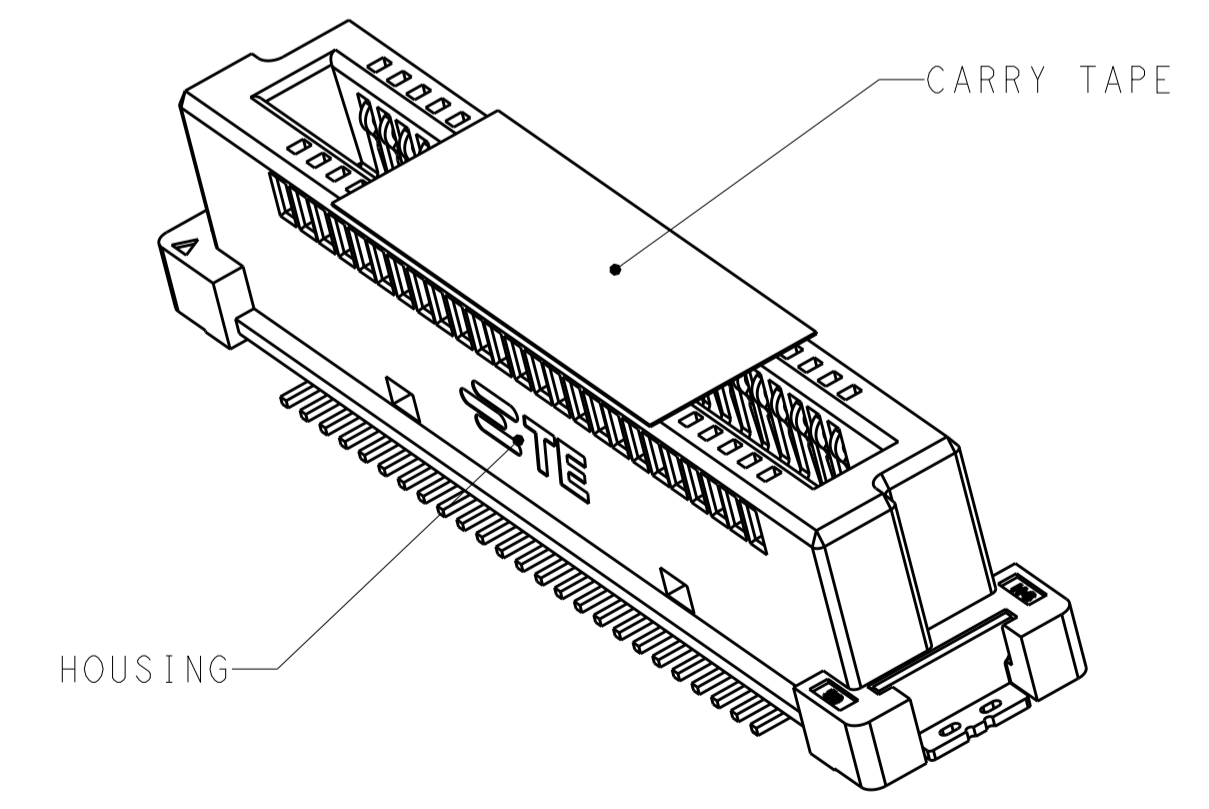
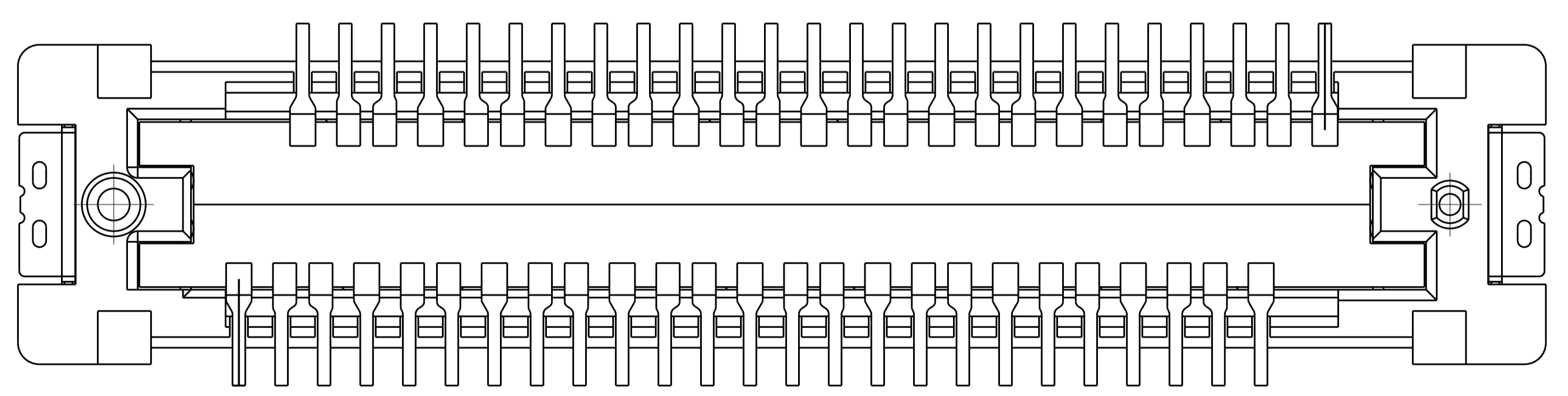
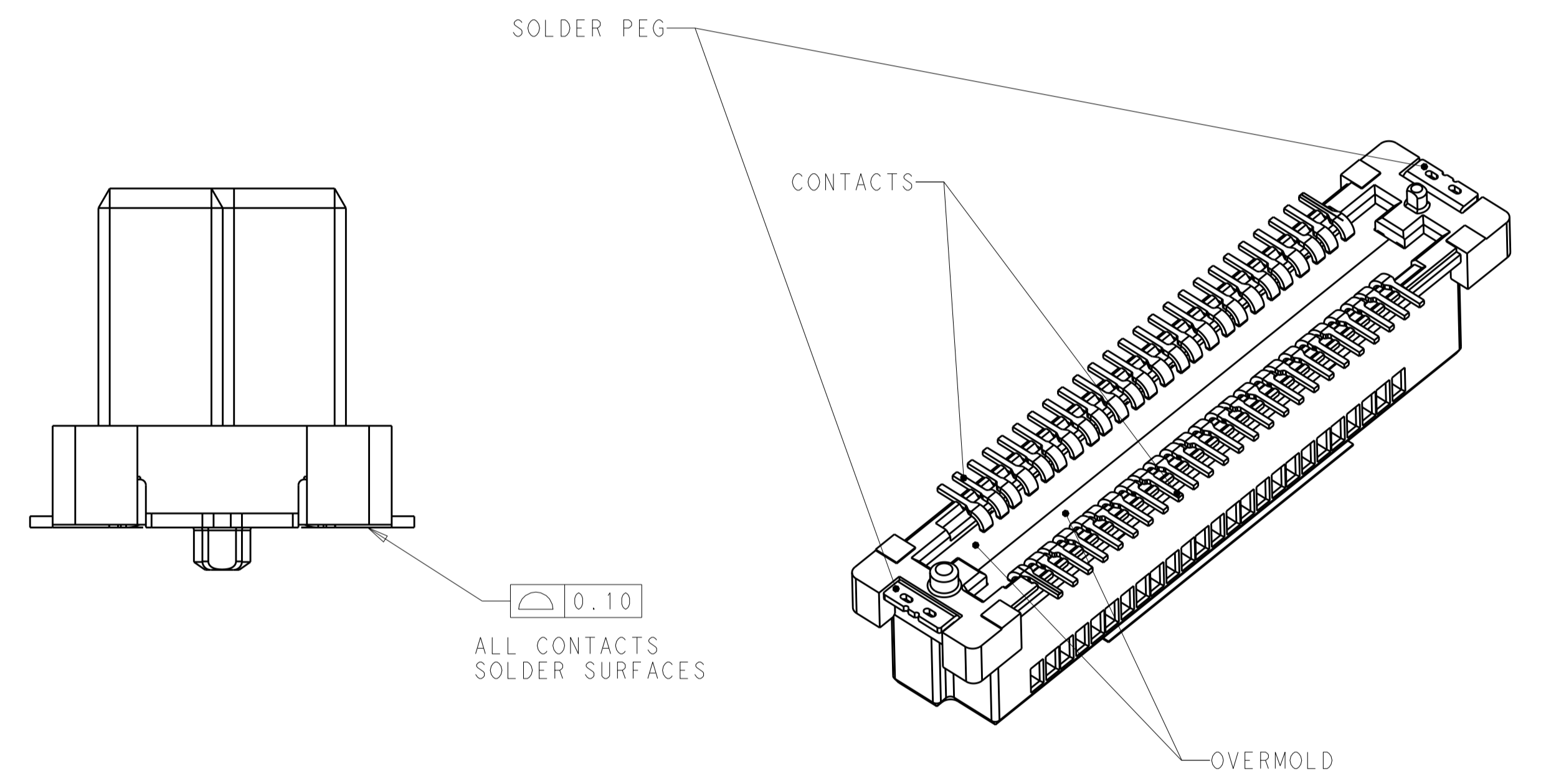
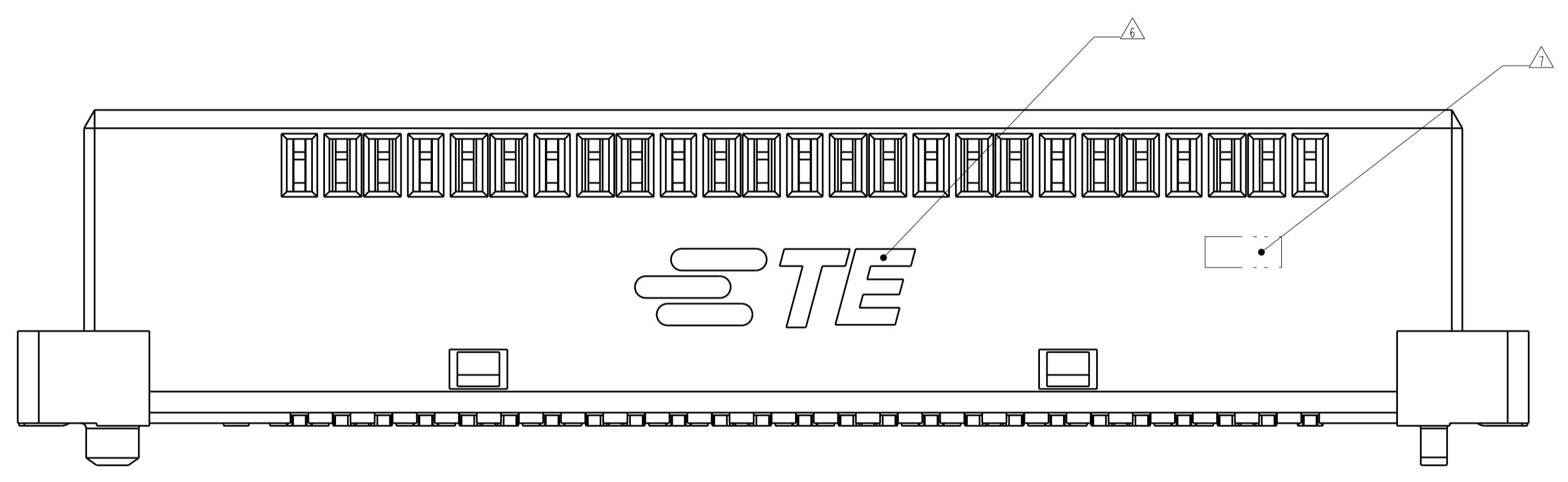
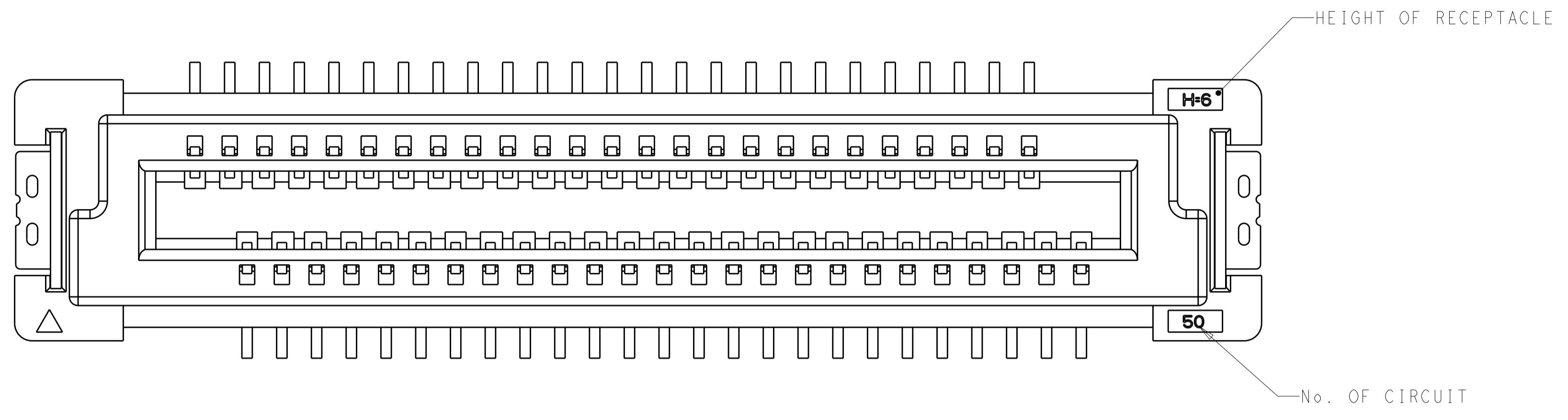


REVISIONS				
P.	LTN	DESCRIPTION	DATE	APVD
2		FIRST RELEASE	21MAY2017	SS
3		ADD SOLDER PEG	27SEP2017	SS HL
4		UPDATED PCB TRACE	12DEC2017	SS
5		ADD PACKAGE DRAWING IN SHEET3	16MAY2018	SS

NOTE:

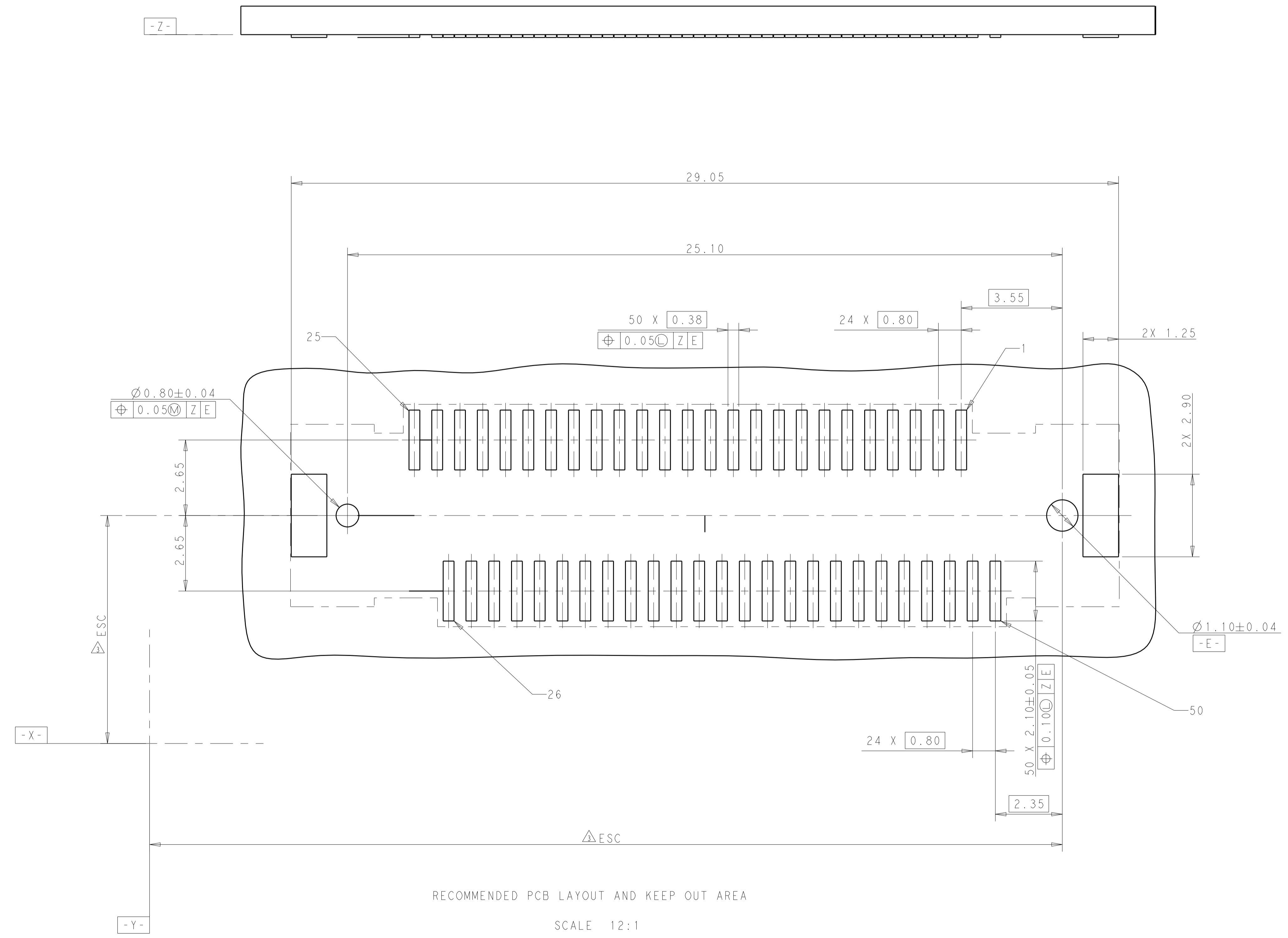
- 1 MATERIAL:
HOUSING AND CONTACT OVERMOLD: LCP, BLACK.
CARRY COVER: STAINLESS STEEL.
CONTACTS: COPPER ALLOY.
- 2 FINISH:
UNDERPLATE: 1.27um MIN. NICKEL ALL OVER.
ENGAGEMENT AREA: 0.76um MIN. GOLD.
SOLDERING AREA: 2.54um MIN. MATTE TIN
- 3 DATUM AND BASIC DIMENSION ESTABLISHED BY CUSTOMER.
- 4. DESIGNED FOR A 1.00 MIN THICK PC BOARD.
- 5 RECOMMENDED COMPONENT KEEP OUT AREA.
- 6 TE CONNECTIVITY LOGO MARKED IN APPROXIMATE AREA SHOWN.
- 7 PART NUMBER AND DATE CODE MARKED IN APPROXIMATE AREA SHOWN.
- 8. PACKAGE IN TAPE & REEL.



THIS DRAWING IS A CONTROLLED DOCUMENT.		OWN: Stone, Su	17MAY2017	TE Connectivity	
DIMENSIONS: mm		CHK: -	APVD: -	NAME: RECEPTACLE CONNECTOR ASSEMBLY	
TOLERANCES UNLESS OTHERWISE SPECIFIED: 0 PLC ±. 1 PLC ±0.2 2 PLC ±0.15 3 PLC ±0.05 4 PLC ±0.005 ANGLES ±0.005		PRODUCT SPEC: 108-115138	APPLICATION SPEC: 501-115152	SIZE: A1 CAGE CODE: - DRAWING NO: C=2316373	
MATERIAL: -		WEIGHT: -		RESTRICTED TO: -	
FINISH: -		CUSTOMER DRAWING		SCALE: 12:1	SHEET 1 OF 3 REV 5

REVISIONS				
P.	LTN	DESCRIPTION	DATE	APVD
-	-	SEE SHEET 1	-	-

PIN #	DESCRIPTION	PIN3	DESCRIPTION
1	GROUND	26	GROUND
2	SIGNAL	27	SIGNAL
3	SIGNAL	28	SIGNAL
4	GROUND	29	GROUND
5	SIGNAL	30	SIGNAL
6	SIGNAL	31	SIGNAL
7	GROUND	32	GROUND
8	SIGNAL	33	SIGNAL
9	SIGNAL	34	SIGNAL
10	GROUND	35	GROUND
11	SIGNAL	36	SIGNAL
12	SIGNAL	37	SIGNAL
13	GROUND	38	GROUND
14	SIGNAL	39	SIGNAL
15	SIGNAL	40	SIGNAL
16	GROUND	41	GROUND
17	SIGNAL	42	SIGNAL
18	SIGNAL	43	SIGNAL
19	GROUND	44	GROUND
20	SIGNAL	45	SIGNAL
21	SIGNAL	46	SIGNAL
22	GROUND	47	GROUND
23	SIGNAL	48	SIGNAL
24	SIGNAL	49	SIGNAL
25	GROUND	50	GROUND

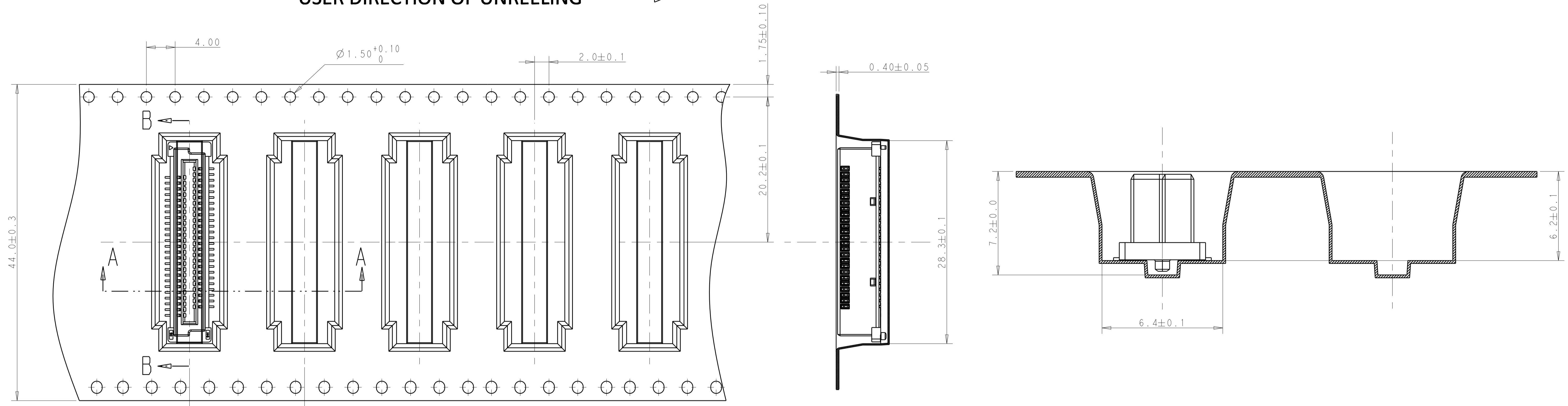


NOTE:
 9. STENCIL THICKNESS: 0.10MM MIN.

THIS DRAWING IS A CONTROLLED DOCUMENT.		DMN: Stone, Su	17MAY2017	STE TE Connectivity
DIMENSIONS: mm		CHK: -	APVD: -	
TOLERANCES UNLESS OTHERWISE SPECIFIED:		PRODUCT SPEC		NAME: RECEPTACLE CONNECTOR ASSEMBLY 0.8 FH+, B-T-B CONNECTOR 50 PINS
0 PLC ±0.2		108-115138		
2 PLC ±0.15		APPLICATION SPEC		SIZE: A1
3 PLC ±0.05		501-115152		
4 PLC ±0.005		WEIGHT: -		RESTRICTED TO: -
ANGLES ±0.05		CAGE CODE: -		
FINISH: -		CUSTOMER DRAWING		SCALE: 10:1
MATERIAL: -		SHEET 2 OF 3		REV 5

REVISIONS				
P.	LTR.	DESCRIPTION	DATE	APVD
-	-	SEE SHEET 1	-	-

USER DIRECTION OF UNREELING →

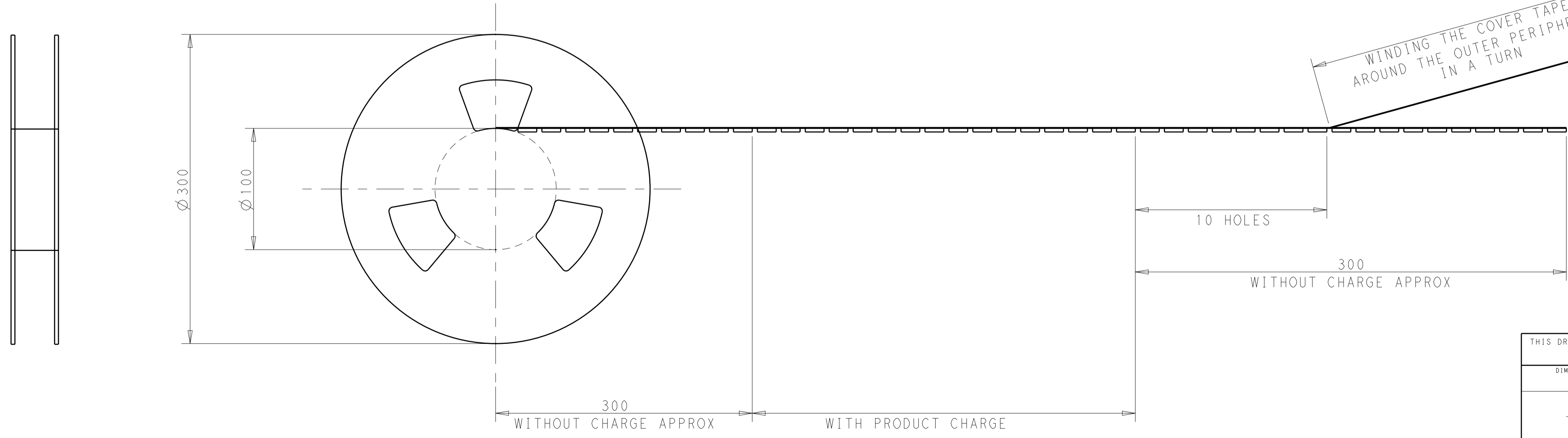


B-B

A-A

WINDING THE COVER TAPE AROUND THE OUTER PERIPHERY IN A TURN

NOTE:
10. 560 PCS / REEL



THIS DRAWING IS A CONTROLLED DOCUMENT.		OWN: Stone, Su	17MAY2017	TE Connectivity	
DIMENSIONS: mm		CHK: -	APVD: -	NAME: RECEPTACLE CONNECTOR ASSEMBLY	
TOLERANCES UNLESS OTHERWISE SPECIFIED:		PRODUCT SPEC: 108-115138		0.8 FH+, B-T-B CONNECTOR	
0 PLC ±0.2		APPLICATION SPEC: 501-115152		50 PINS	
1 PLC ±0.15		SIZE: A1		CAGE CODE: 2316373	
2 PLC ±0.05		SCALE: 12:1		SHEET 3 OF 3	
3 PLC ±0.05		REV: 5		CUSTOMER DRAWING	
4 PLC ±0.005		RESTRICTED TO:			
ANGLES $\pm 0.05^\circ$					
FINISH: -					