

4

3

2

1

THIS DRAWING IS UNPUBLISHED.

RELEASED FOR PUBLICATION

---

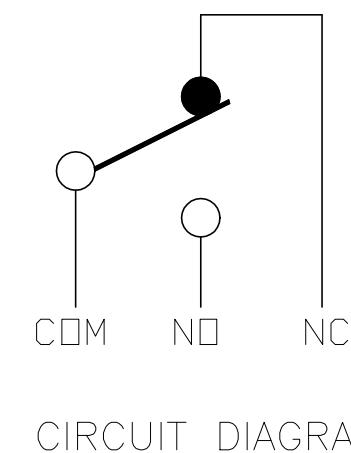
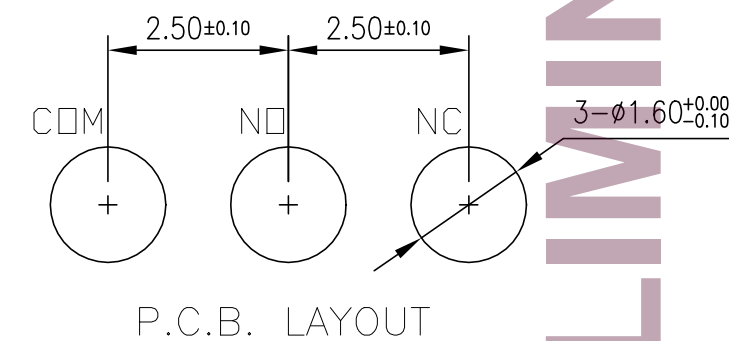
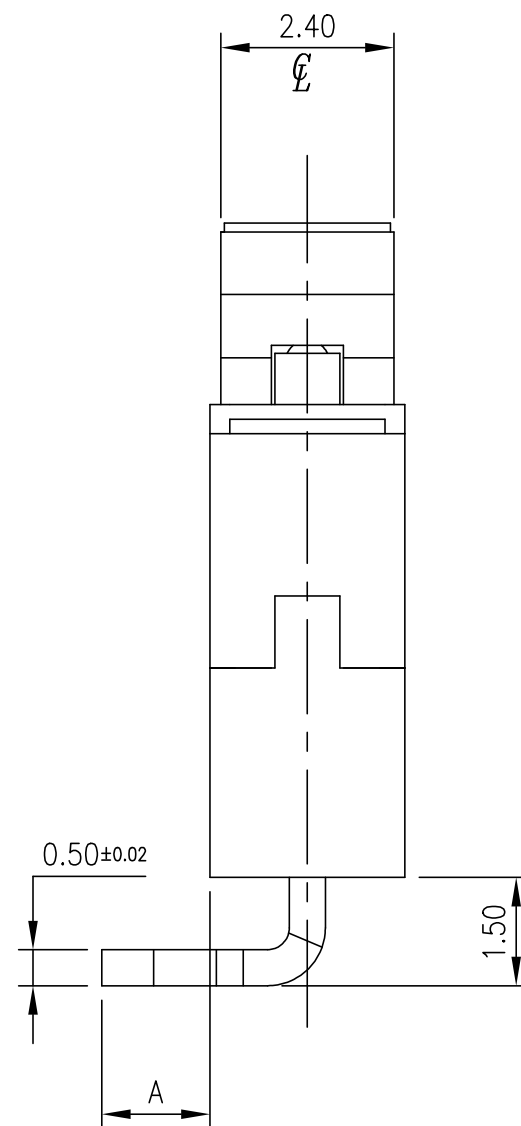
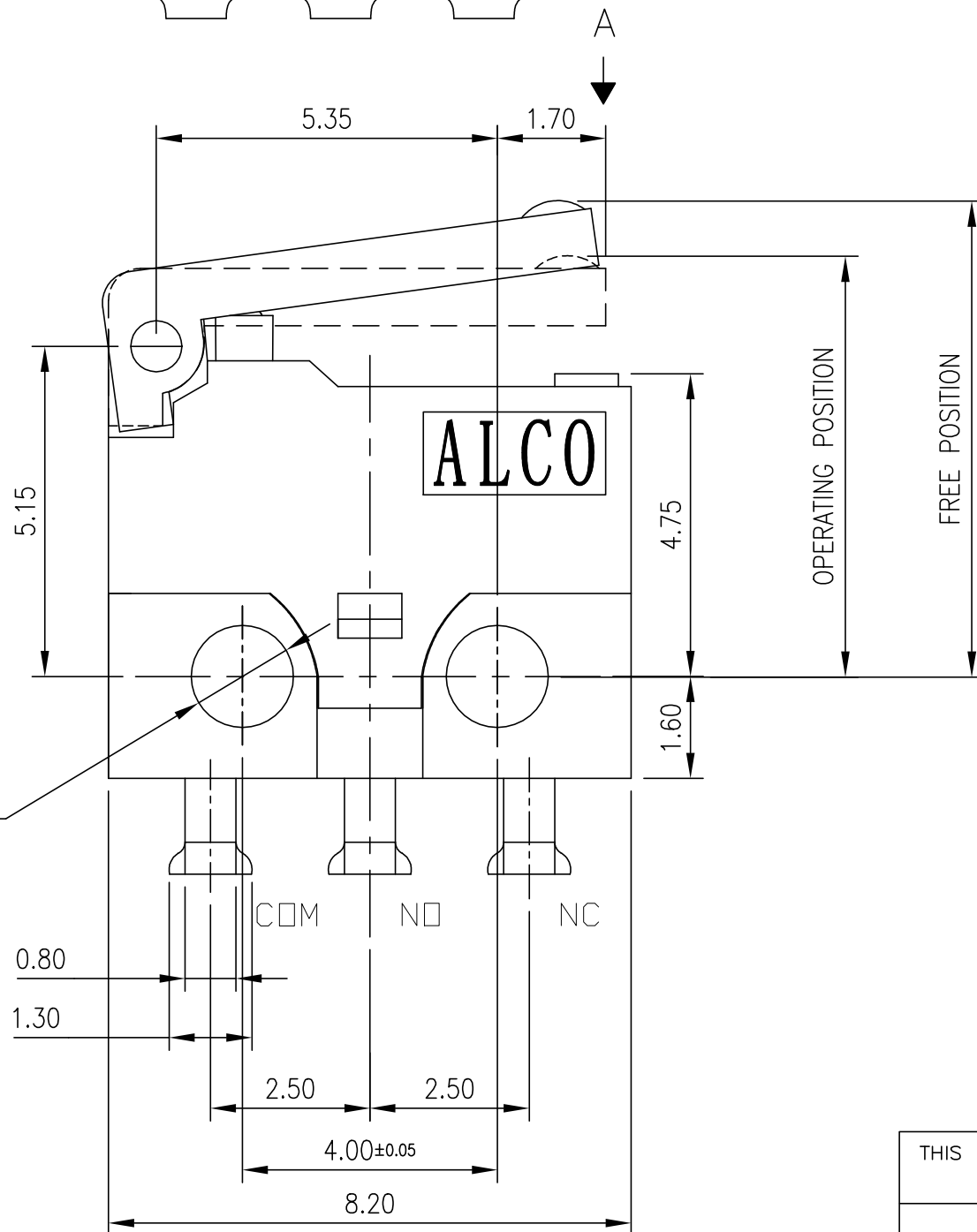
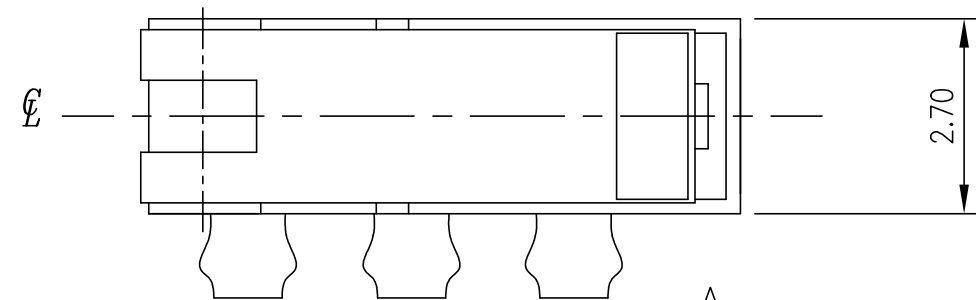
© COPYRIGHT - TE Connectivity Ltd.

ALL RIGHTS RESERVED.

REVISIONS

P	LTR	DESCRIPTION	DATE	DWN	APVD
1		NEW DRAWING	13MAY2019	GCM	AS

APPLICABLE FOR TE P/N
2351462-1
2351462-4



PRELIMINARY

D

C

B

A

D

C

B

A

THIS DRAWING IS A CONTROLLED DOCUMENT.		DWN	13MAY2019		 TE Connectivity Ltd.
		CHK	13MAY2019		
		APVD	13MAY2019		
		PRODUCT SPEC	ALEXANDER SHARPE		
		APPLICATION SPEC	-		NAME
		WEIGHT	-		SWITCH, MINIATURE SNAP ACTION, HINGE LEVER, RIGHT ANGLE, LEFT, TERMINALS
		CUSTOMER DRAWING	SCALE	NTS	SHEET
				1 of 4	REV
					1

PRELIMINARY

4

3

2

1

THIS DRAWING IS UNPUBLISHED.

RELEASED FOR PUBLICATION

---

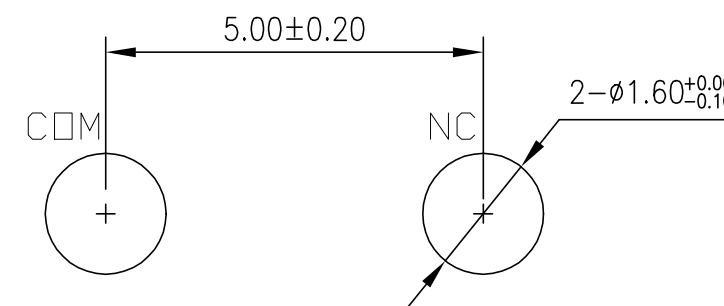
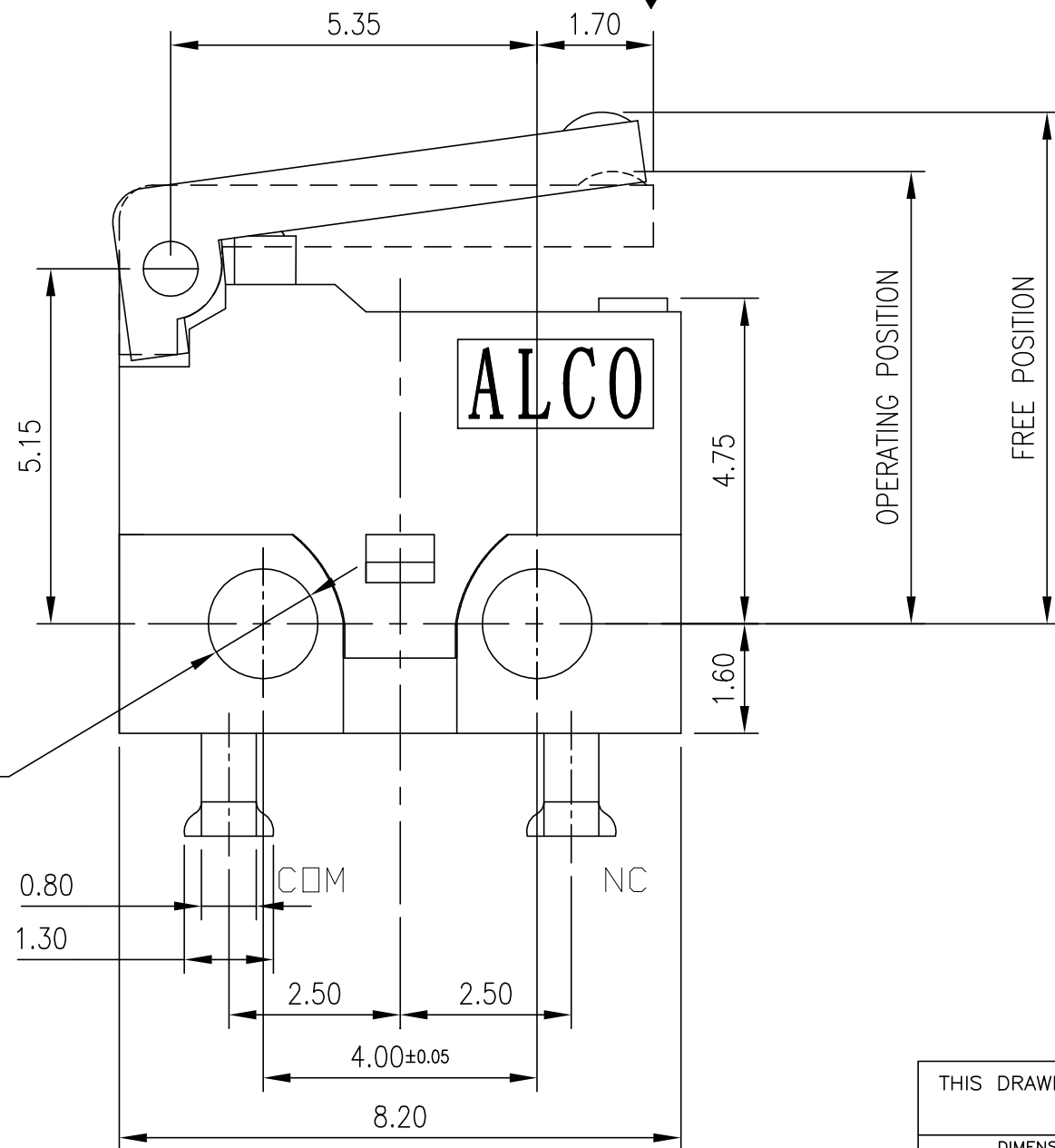
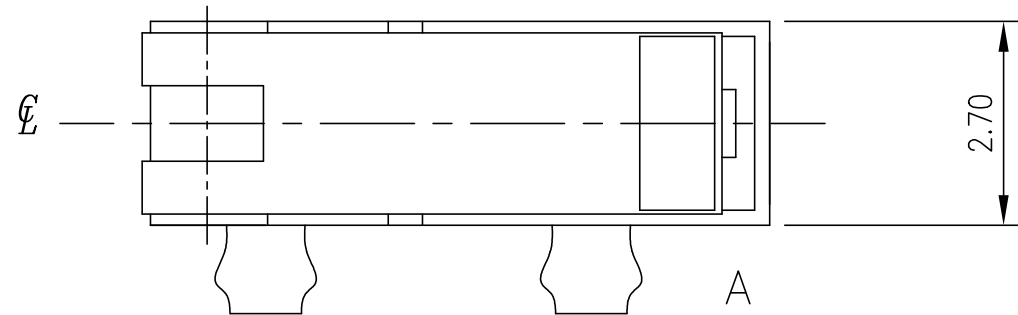
REVISIONS

© COPYRIGHT - TE Connectivity Ltd.

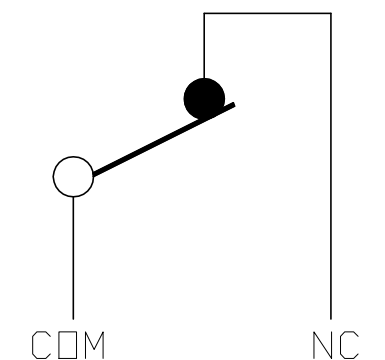
ALL RIGHTS RESERVED.

P	LTR	DESCRIPTION	DATE	DWN	APVD
-	-	SEE SHEET 1	-	-	-

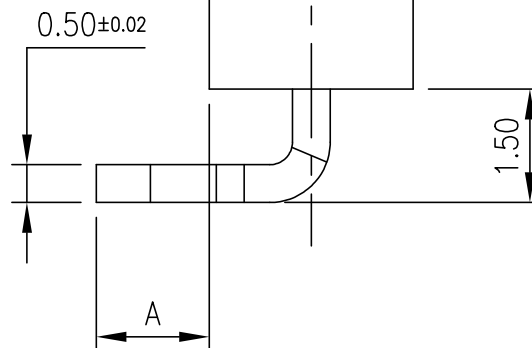
APPLICABLE FOR TE P/N
2351462-2
2351462-5



P.C.B. LAYOUT



CIRCUIT DIAGRAM



THIS DRAWING IS A CONTROLLED DOCUMENT.		DWN GANESH C M 13MAY2019	<b>TE</b> TE Connectivity Ltd.		
DIMENSIONS: mm		CHK ALEXANDER SHARPE 13MAY2019			
TOLERANCES UNLESS OTHERWISE SPECIFIED:		APVD ALEXANDER SHARPE 13MAY2019	NAME SWITCH, MINIATURE SNAP ACTION, HINGE LEVER, RIGHT ANGLE, LEFT, TERMINALS		
0 PLC ± -		PRODUCT SPEC	SIZE A3		
1 PLC ± 0.15		APPLICATION SPEC	CAGE CODE 00779	DRAWING NO 2351462	RESTRICTED TO
2 PLC ± 0.15		WEIGHT	-		
3 PLC ± -		CUSTOMER DRAWING	SCALE NTS		
4 PLC ± -		FINISH	SHEET 2 of 4		
ANGLES ± -			REV 1		
MATERIAL					
-					

**PRELIMINARY**

4

3

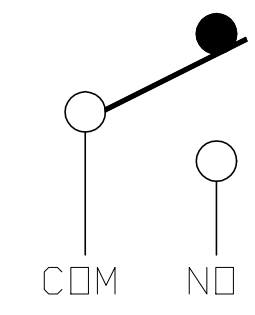
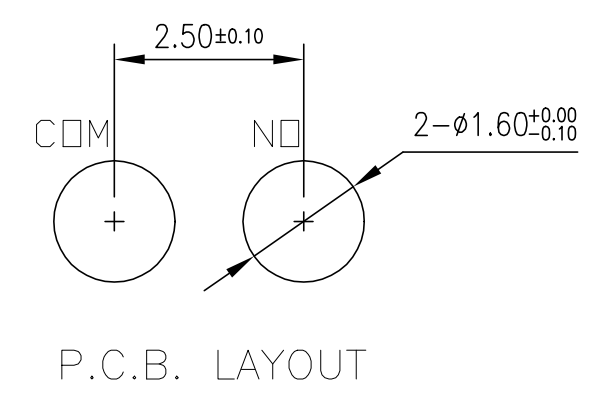
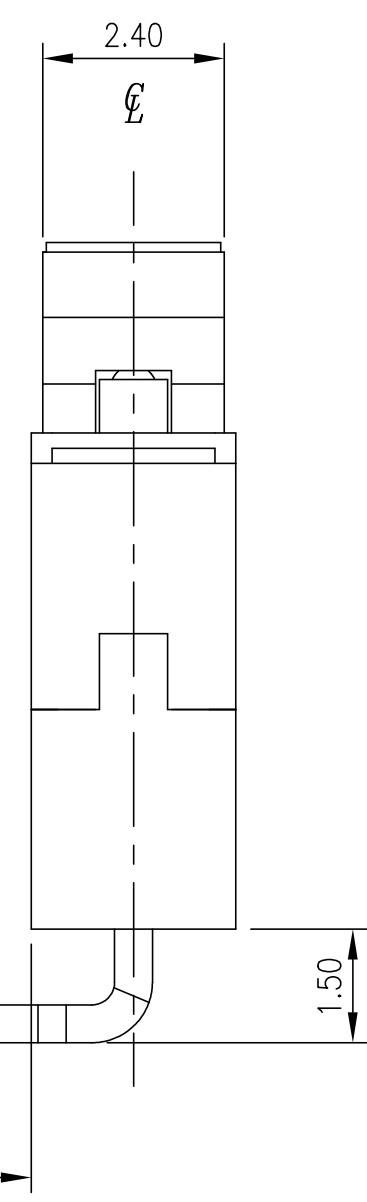
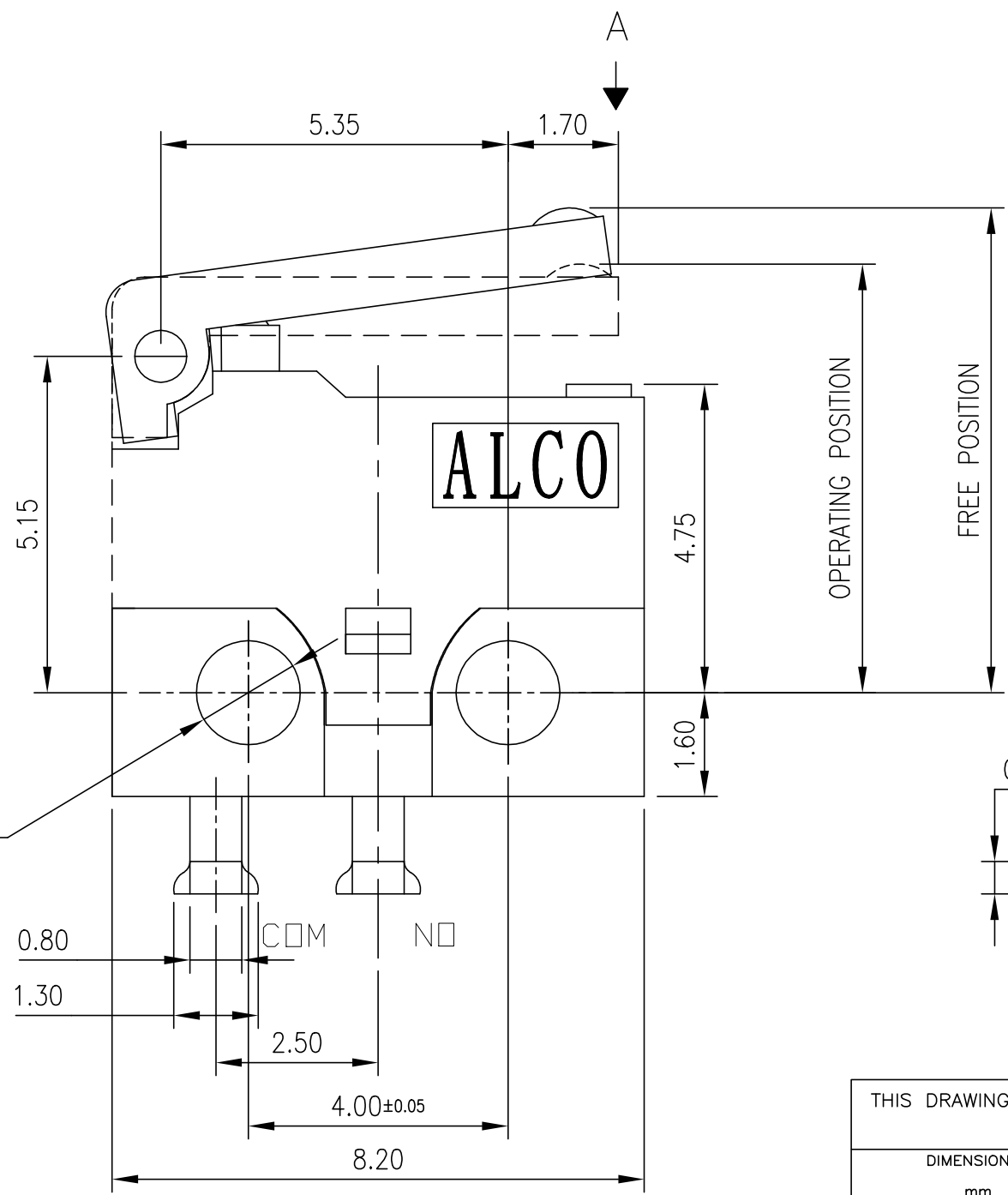
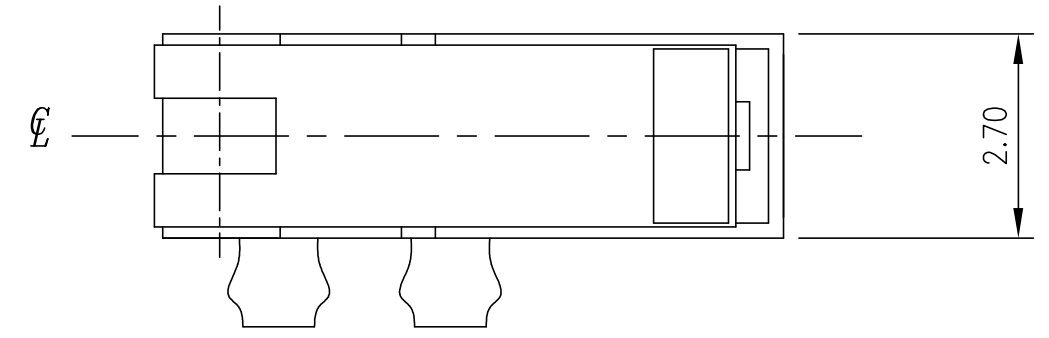
2

1

THIS DRAWING IS UNPUBLISHED. RELEASED FOR PUBLICATION  
 © COPYRIGHT - TE Connectivity Ltd. ALL RIGHTS RESERVED.

REVISIONS				
P	LTR	DESCRIPTION	DATE	APVD
-	-	SEE SHEET 1	-	-

APPLICABLE FOR TE P/N  
 2351462-3  
 2351462-6



CIRCUIT DIAGRAM

**PRELIMINARY**

THIS DRAWING IS A CONTROLLED DOCUMENT.		DWN GANESH C M 13MAY2019	TE Connectivity Ltd.	
DIMENSIONS: mm 		CHK ALEXANDER SHARPE 13MAY2019		
TOLERANCES UNLESS OTHERWISE SPECIFIED: 0 PLC ± - 1 PLC ± 0.15 2 PLC ± 0.15 3 PLC ± - 4 PLC ± - ANGLES ± - MATERIAL - FINISH -		APVD ALEXANDER SHARPE 13MAY2019	NAME SWITCH, MINIATURE SNAP ACTION, HINGE LEVER, RIGHT ANGLE, LEFT, TERMINALS	
		PRODUCT SPEC	SIZE A3	
		APPLICATION SPEC	CAGE CODE 00779	
		WEIGHT	DRAWING NO C=2351462	
		CUSTOMER DRAWING	RESTRICTED TO -	
		SCALE NTS	SHEET 3 of 4	
			REV 1	

THIS DRAWING IS UNPUBLISHED. RELEASED FOR PUBLICATION - , - .  
 © COPYRIGHT - TE Connectivity Ltd. ALL RIGHTS RESERVED.

REVISIONS				
P	LTR	DESCRIPTION	DATE	APVD
-	-	SEE SHEET 1	-	-


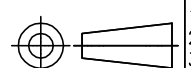
NOTES:

- OPERATING CHARACTERISTICS ARE FOR OPERATION IN THE A DIRECTION ↓
- PACKAGING:  
SWITCHES ARE BULK PACKAGED IN BAGS, 500 SWITCHES PER BAG, 2 BAGS PER BOX.
- COMPLIANCE:  
THE CURRENT STATEMENT OF COMPLIANCE IS AVAILABLE AT TE.COM.
- MATERIAL AND FINISH:  
COVER: THERMOPLASTIC, BLACK  
BASE: THERMOPLASTIC, BLACK  
BUTTON: THERMOPLASTIC, BLACK  
CONTACT: SILVER ALLOY  
TERMINAL: BRASS, SILVER PLATED  
SPRING PLATE: COPPER ALLOY  
LEVER: THERMOPLASTIC, BLACK
- SPECIFICATIONS:  
CURRENT RATING: SEE TABLE  
CONTACT RESISTANCE: 100mΩ MAXIMUM, INITIAL, AT FREE POSITION AND TOTAL TRAVEL POSITION  
INSULATION RESISTANCE: 100MΩ MINIMUM, @ 100, V DC, 1 MINUTE, INITIAL.  
DIELECTRIC WITHSTANDING VOLTAGE, BETWEEN TERMINALS OF THE SAME POLARITY: 250 V AC, 50 TO 60 Hz FOR 1 MINUTE  
DIELECTRIC WITHSTANDING VOLTAGE, BETWEEN EACH TERMINAL AND GROUND: 250 V AC, 50 TO 60 Hz FOR 1 MINUTE  
DIELECTRIC WITHSTANDING VOLTAGE, BETWEEN EACH TERMINAL AND NON-CURRENT CARRYING METAL PART :1500 V AC, 50 TO 60 Hz FOR 1 MINUTE
- SOLDER PROCESS:  
MANUAL SOLDERING: 350°C, 3 SECONDS MAXIMUM, 30 TO 40 WATTS. PREVENT SOLDER AND FLUX CONTACTING THE SWITCH BODY.  
DO NOT OPERATE THE SWITCH DURING THE FIRST MINUTE AFTER SOLDERING.  
WAVE SOLDERING: 260°C, 5 SECONDS MAXIMUM. PREVENT SOLDER AND FLUX CONTACTING THE SWITCH BODY.  
DO NOT OPERATE THE SWITCH DURING THE FIRST MINUTE AFTER SOLDERING.

CONTACT FINISH	CONTACT FORM	MECHANICAL LIFE	ELECTRICAL LIFE	STORAGE TEMPERATURE RANGE/HUMIDITY RANGE	OPERATING TEMPERATURE RANGE/HUMIDITY RANGE	MOVEMENT DIFFERENTIAL	OVERTRAVEL	PRETRAVEL	OPERATING POSITION	FREE POSITION	RELEASE FORCE	OPERATING FORCE	CONTACT RATING	CONTACT CONFIGURATION	DIMENSION A	TERMINAL TYPE	TE SMART PART NUMBER	PART NUMBER	
SILVER	SPST, NORMALLY OPEN	100,000 CYCLES, MINIMUM	50,000 CYCLES, MINIMUM	-40 TO +85°C/85% RELATIVE HUMIDITY MAXIMUM	-40 TO +85°C/60% RELATIVE HUMIDITY MAXIMUM	0.70 MAXIMUM	0.30 MINIMUM	1.80 MAXIMUM	6.7±0.5	8.0 MAXIMUM	3 gf MINIMUM	50 gf MAXIMUM	0.5A, 30VDC	MOMENTARY	3.10	RIGHT ANGLE, LEFT	SAJ405XHL0N30SNOLLQ	2351462-6	
	SPST, NORMALLY CLOSED																SAJ405XHL0N30SNCLLQ	2351462-5	
	SPDT																SAJ405XHL0N30SDTLLQ	2351462-4	
	SPST, NORMALLY OPEN														SPST, NORMALLY CLOSED	1.50	RIGHT ANGLE, LEFT	SAJ405XHL0N30SNOSLQ	2351462-3
	SPST, NORMALLY CLOSED														SAJ405XHL0N30SNCSLQ			2351462-2	
	SPDT														SAJ405XHL0N30SDTSLQ			2351462-1	

**PRELIMINARY**

THIS DRAWING IS A CONTROLLED DOCUMENT.

DIMENSIONS: mm	TOLERANCES UNLESS OTHERWISE SPECIFIED:	DWN 13MAY2019 GANESH C M	 TE Connectivity Ltd.
	0 PLC ± -	CHK 13MAY2019 ALEXANDER SHARPE	
	1 PLC ± 0.15	APVD 13MAY2019 ALEXANDER SHARPE	
	2 PLC ± 0.15	PRODUCT SPEC	
	3 PLC ± -	APPLICATION SPEC	NAME SWITCH, MINIATURE SNAP ACTION, HINGE LEVER, RIGHT ANGLE, LEFT, TERMINALS
	4 PLC ± -		SIZE A3
	ANGLES ± -		CAGE CODE 00779
MATERIAL -	FINISH -	WEIGHT -	DRAWING NO. C=2351462
CUSTOMER DRAWING			RESTRICTED TO -
		SCALE NTS	SHEET 4 of 4
			REV 1