

4

3

2

1

THIS DRAWING IS UNPUBLISHED.

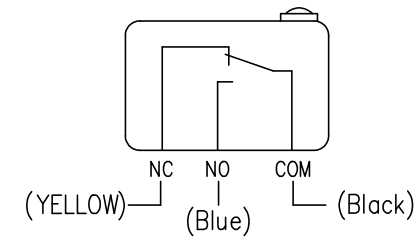
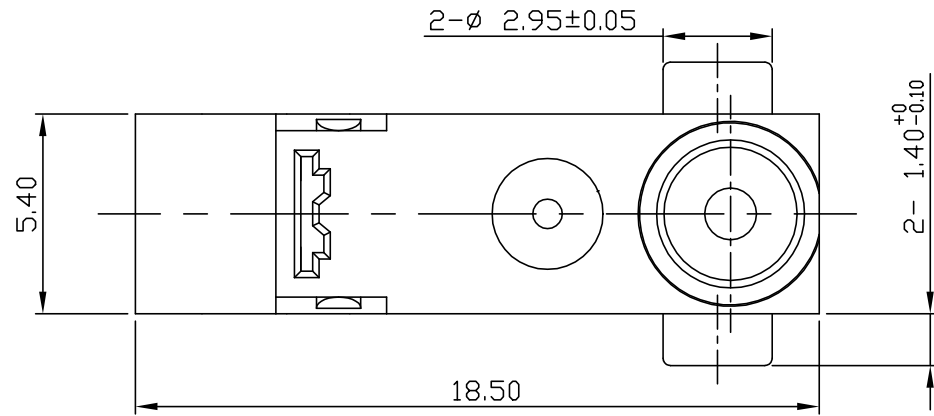
RELEASED FOR PUBLICATION

REVISIONS

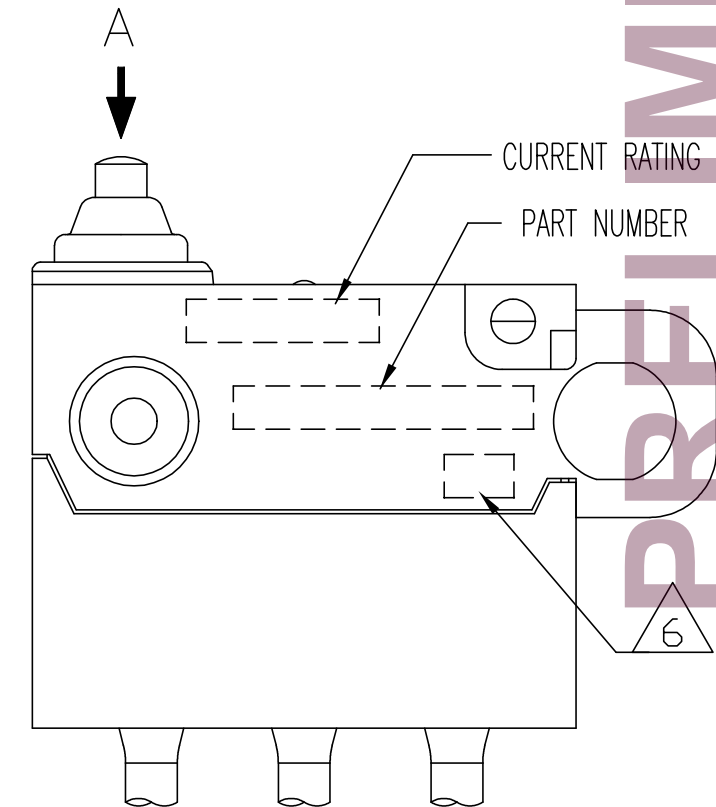
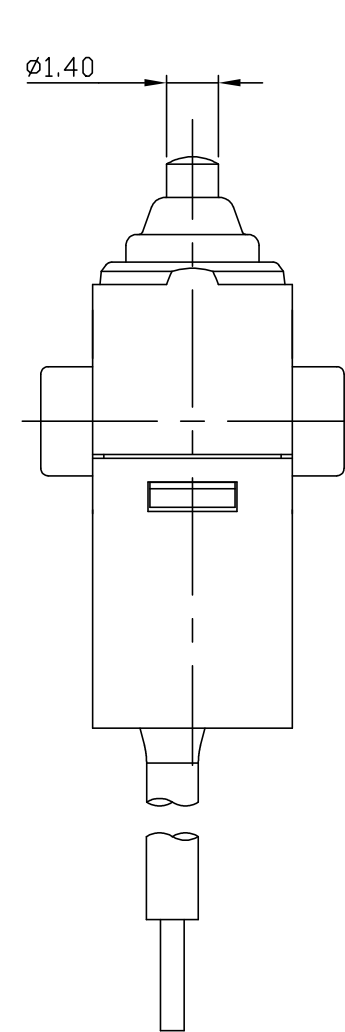
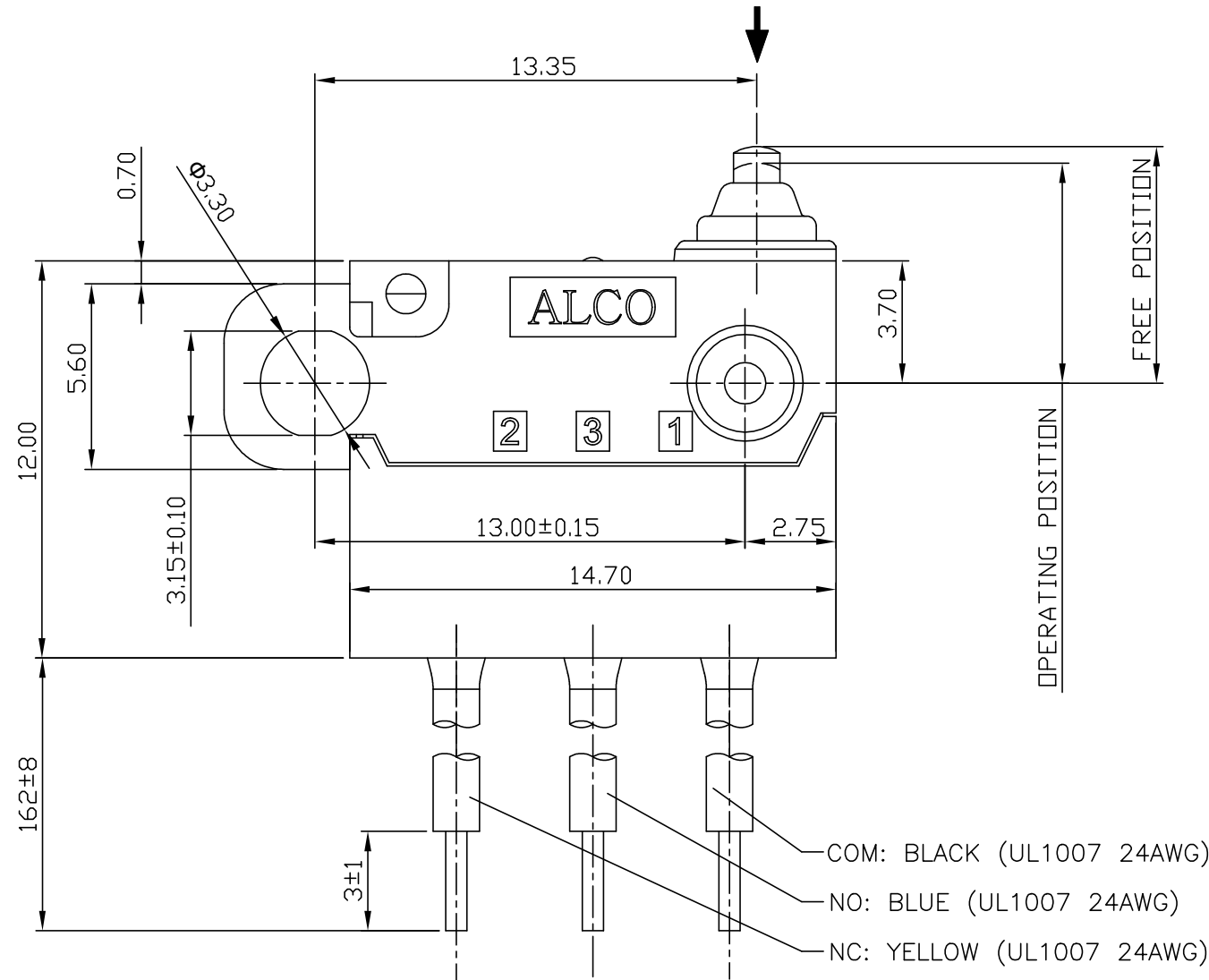
© COPYRIGHT - TE Connectivity Ltd.

ALL RIGHTS RESERVED.

P	LTR	DESCRIPTION	DATE	DWN	APVD
1		NEW DRAWING	13MAY2019	GCM	AS



CONTACT FORM



PRELIMINARY

THIS DRAWING IS A CONTROLLED DOCUMENT.		DWN GANESH C M 13MAY2019	TE Connectivity Ltd.	
DIMENSIONS: mm		CHK ALEXANDER SHARPE 13MAY2019		
TOLERANCES UNLESS OTHERWISE SPECIFIED:		APVD ALEXANDER SHARPE 13MAY2019	NAME SWITCH, MICRO SNAP ACTION, PIN PLUNGER, FLYING LEADS	
0 PLC ± - 1 PLC ± - 2 PLC ± 0.4 3 PLC ± - 4 PLC ± - ANGLES ± -		PRODUCT SPEC -	SIZE A3	
MATERIAL -		FINISH -	CAGE CODE 00779	DRAWING NO C=2351463
		APPLICATION SPEC -	RESTRICTED TO -	
		WEIGHT -	SCALE NTS	
		CUSTOMER DRAWING	SHEET 1 of 2	
			REV 1	

PRELIMINARY

THIS DRAWING IS UNPUBLISHED.

RELEASED FOR PUBLICATION

-, -

REVISIONS

© COPYRIGHT - TE Connectivity Ltd.

ALL RIGHTS RESERVED.

P	LTR	DESCRIPTION	DATE	DWN	APVD
-	-	SEE SHEET 1	-	-	-

NOTES:

- OPERATING CHARACTERISTICS ARE FOR OPERATION IN THE A DIRECTION ↓
- PACKAGING:
SWITCHES ARE BULK PACKAGED IN BAGS, 200 SWITCHES PER BAG, 5 BAGS PER BOX.
- COMPLIANCE:
THE CURRENT STATEMENT OF COMPLIANCE IS AVAILABLE AT TE.COM.
- MATERIAL AND FINISH:
COVER: THERMOPLASTIC, BLACK
BASE: THERMOPLASTIC, BLACK
BUTTON: THERMOPLASTIC, BLACK
CONTACTS: SILVER ALLOY, SILVER
TERMINAL: BRASS, SILVER PLATED
SPRING: STAINLESS STEEL, SILVER
ACTION ARM: STAINLESS STEEL, SILVER
SEALING CAP: SILICONE RUBBER, COLOR: ORANGE
SPRING PLATE: COPPER ALLOY
BOTTOM COVER: THERMOPLASTIC, BLACK
WIRE: UL 1007, 24AWG, BLACK/BLUE/YELLOW
- SPECIFICATIONS:
CURRENT RATING: SEE TABLE
CONTACT RESISTANCE: 150mΩ MAXIMUM, INITIAL AT FREE POSITION AND TOTAL TRAVEL POSITION
INSULATION RESISTANCE: 100MΩ MINIMUM, @ 500 V DC, 1 MINUTE
DIELECTRIC WITHSTANDING VOLTAGE, BETWEEN TERMINALS OF THE SAME POLARITY: 600 V AC, 50 TO 60 Hz FOR 1 MINUTE
DIELECTRIC WITHSTANDING VOLTAGE, BETWEEN EACH TERMINAL AND GROUND: 1500 V AC, 50 TO 60 Hz FOR 1 MINUTE
DIELECTRIC WITHSTANDING VOLTAGE, BETWEEN EACH TERMINAL AND NON-CURRENT CARRYING METAL PART: 1500V AC, 50 TO 60 Hz FOR 1 MINUTE.
INGRESS PROTECTION: IP67



DATE CODE:

① ②

①	MONTH	1 TO 9, X, Y, Z (X=10, Y=11, Z=12)
②	YEAR	0 TO 9 (EX: 9=2019)

SILVER	SPDT	500,000 CYCLES, MINIMUM	100,000 CYCLES, MINIMUM	-40 TO +85°C/85% RELATIVE HUMIDITY MAXIMUM	-40 TO +85°C/60% RELATIVE HUMIDITY MAXIMUM	0.20 MAXIMUM	0.80 REF	6.675±0.275	7.35 MAXIMUM	13 gf MINIMUM	130 gf MAXIMUM	MOMENTARY	3A, 12VDC 3A, 125VAC 3A, 250VAC	SAJ53YXPP0STDSDLFLQ	2351463-2
													0.1A, 48VDC 0.1A, 125VAC 0.1A, 250VAC	SAJ501YPP0STDSDLFLQ	2351463-1
CONTACT FINISH	CONTACT FORM	MECHANICAL LIFE	ELECTRICAL LIFE	STORAGE TEMPERATURE RANGE/HUMIDITY RANGE	OPERATING TEMPERATURE RANGE/HUMIDITY RANGE	MOVEMENT DIFFERENTIAL	OVERTRAVEL	OPERATING POSITION	FREE POSITION	RELEASE FORCE	OPERATING FORCE	CONTACT CONFIGURATION	CURRENT RATING	TE SMART PART NUMBER	TE PART NUMBER

THIS DRAWING IS A CONTROLLED DOCUMENT.

DWN 13MAY2019
GANESH C M

CHK 13MAY2019
ALEXANDER SHARPE

APVD 13MAY2019
ALEXANDER SHARPE

PRODUCT SPEC

APPLICATION SPEC

WEIGHT

CUSTOMER DRAWING



TE Connectivity Ltd.

NAME
SWITCH, MICRO SNAP ACTION, PIN PLUNGER, FLYING LEADS

SIZE	CAGE CODE	DRAWING NO	RESTRICTED TO
A3	00779	2351463	-

SCALE NTS SHEET 2 of 2 REV 1

PRELIMINARY