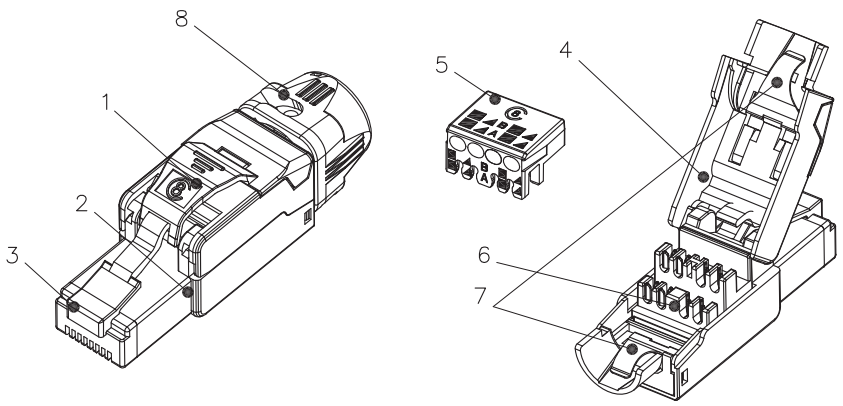


1 2 3 4 5 6

A

A



SCALE 1/1

B

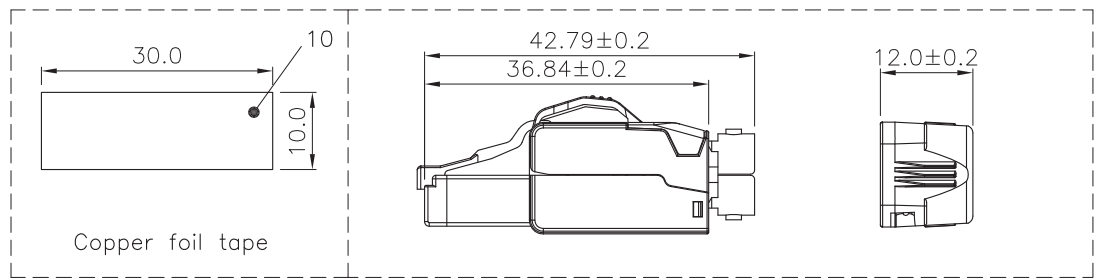
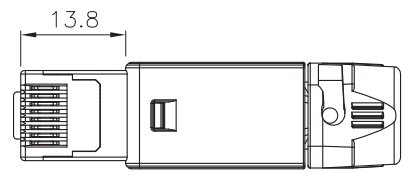
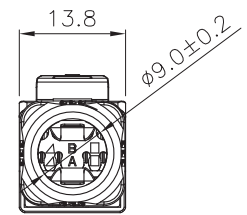
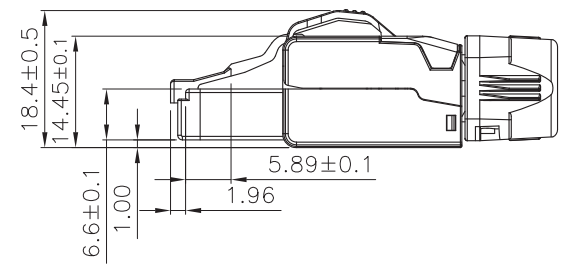
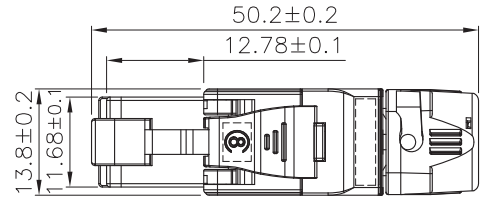
Specification :

- Material :
1. Extractor : PC, UL 94V-2, black color.
 2. Housing : Zinc die-Casting with nickel plated.
 3. RJ45 plug :
 - 3-1. Housing : PC, UL 94V-2, transparent yellow color.
 - 3-2. Contact material : Phosphor bronze with 100 micro-inch nickel plated.
 - 3-3. Contact finish : Min. 50 micro-inch gold plated on surface contact area.
 4. Cover : Zinc die-casting with nickel plated.
 5. Wire management bar : PC, UL 94-V2, white color.
 6. IDC :
 - 6-1. Housing : PC, UL 94-V2, white color.
 - 6-2. Terminal : Copper with tin plated.
 7. Grounding contact : Copper with nickel plated.
 8. Boot :
 - 8-1. Housing : Zinc die-casting with nickel plated.
 - 8-2. Spring : SWPB.
 9. PCB, UL 94-V0.
 10. Copper foil tape.

C

- Performance :
- a. T568A & T568B wiring.
 - b. Insertion force : 30N max. (IEC 60603-7-81).
 - c. Retention strength : 7.7 kg between jack and plug.
 - d. Operating temperature : -10°C to 60°C. (ISO/IEC TR 11801-9901 Class I, ANSI/TIA 568-C.2-1).
 - e. Life(mating cycles) :
 - e-1. 750 cycles min. (ISO/IEC 11801, IEC 60603-7-81).
 - e-2. IDC : Suitable for 22-24AWG stranded and solid wire, min. 20 installation cycles.

PIN.1 PIN.8



D

Item No	21.17.3086
Desc	ROLINE Cat.8 Shielded RJ45 Field Plug, toolless

"#" : Matching DIM. "*" : Important DIM. Others General DIM.	DRAWING	26.JUL.2018	YiSi
	CHECK	26.JUL.2018	Jane
	APPROVAL	26.JUL.2018	Frank
GENERAL TOLERANCE OF DIMENSIONS		DATE	NAME
X.XXX	±0.005		
X.XX	±0.05		
X.X	±0.1		

SECOMP

SCALE	1/1 (A4)	UNIT	mm
DRAWING NO.		FPB-C8-FS(S01)	
DRAWING CLASSIFICATION		S	SHEET 1 OF 1

No.	MODIFIED AREA	ORIGINAL	MODIFY	DATE	MODIFIER

1 2 3 4 5 6 10cm