

CUBE20 BN-PNIO DI8

Bus nodes

DI8 - (BN-PNIO)

PROFINET IO

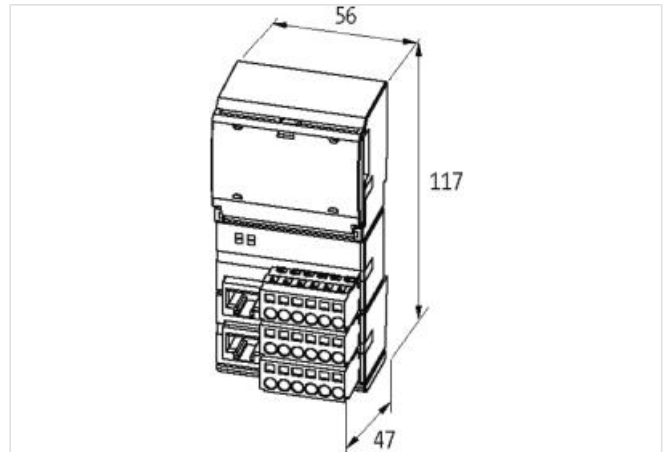
Connection cables are in the online shop under "Connection Technology".

[Link to Product](#)

Illustration



Product may differ from Image



General data

Mounting method	DIN-rail mountable (EN 60715)
Temperature range	0...+55 °C (storage temperature -20...+85 °C)
Protection	IP20
Dimensions H×W×D	117×56×47 mm

Module supply

Operating voltage	24 V DC (EN 61131-2)
Current consumption	max. 150 mA

Input

Sensor supply US	24 V DC (EN 61131-2), max. 700 mA per module
Type	PNP (EN 61131-2)
Galvanic isolation	500 V DC between I/O and system electronics
Input filter	1 ms

Cube system

Module capacity	max. 15
Machine Option Management	yes
I/O capacity	max. 1 024 Byte (Input), max. 1 024 Byte (Output)

Parameterization

Terminal row X3 (4 channels)	Input
Terminal row X2 (4 channels)	Input

Connections

Fieldbus	Ethernet 10/100 Mbit/s; 2× RJ45 (female)
----------	--

The information in this brochure has been compiled with the utmost care.

Liability for the correctness completeness and topicality of the information is restricted to gross negligence. Version: 2022-05-25

Murrelektronik GmbH | Falkenstr. 3 | 71570 Oppenweiler | Fon +49 (71 91) 47-0 | Fax +49 (71 91) 47-491000 | shop@murrelektronik.com | shop.murrelektronik.com

Sensor-system/actuator supply	4× spring clamp plug-in terminals, max. 2.5 mm ² (max. 12 A)
I/O ports	8× spring clamp plug-in terminals, max. 2.5 mm ²
Internal system connection	4× spring clamp plug-in terminals, max. 2.5 mm ² (max. 12 A)

PROFINET

Specification	V2.2, Conformance Class B
Addressing	DCP

Diagnostic

Communication status	via LED and BUS
Diagnostic via LED	per module
Diagnostic via BUS	per module and channel
Monitoring - under voltage	yes
Monitoring - no voltage	no
Short-circuit and overload	yes

Commercial data

country of origin	CZ
customs tariff number	85176200
EAN	4048879049481
eClass	27242604
Packaging unit	1.000