

4

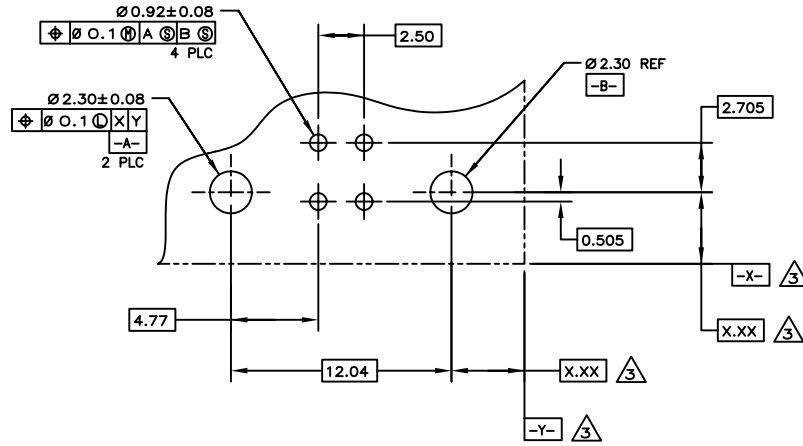
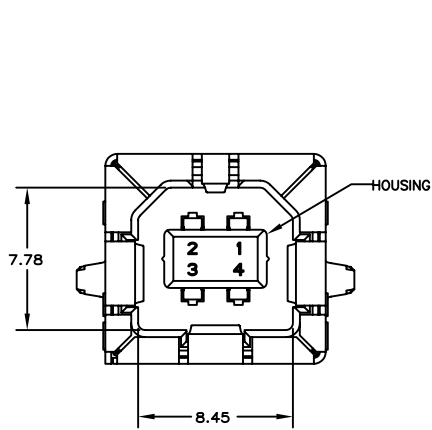
3

2

1

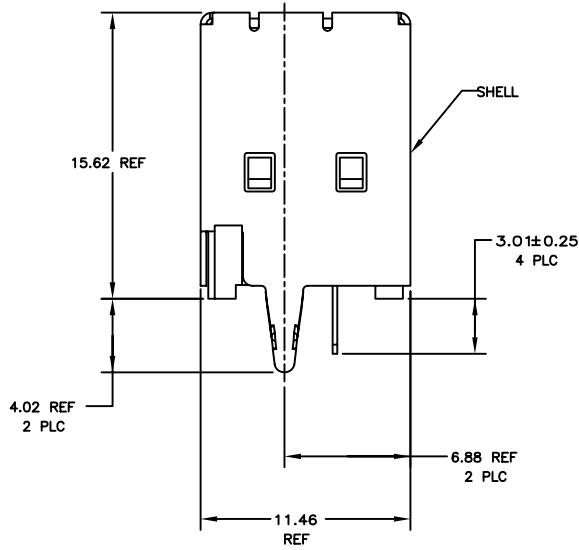
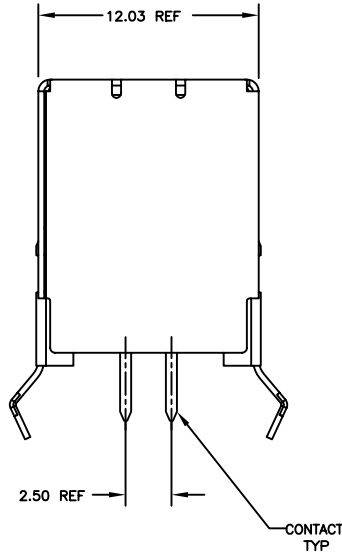
THIS DRAWING IS UNPUBLISHED. RELEASED FOR PUBLICATION  
 © COPYRIGHT BY TYCOO ELECTRONICS CORPORATION. ALL RIGHTS RESERVED.

LOG	DIST	REVISIONS					
ES	00	P	LVR	DESCRIPTION	DATE	DRN	APVD
		A		REVISED FB00-0215-04	16DEC04	G.Z.	I.E.



LEAD FREE

PC BOARD MOUNTING DIMENSIONS



- ① MATERIAL:  
SHELL & CONTACTS - COPPER ALLOY.  
HOUSING - UL 94V-0 RATED, THERMOPLASTIC, FOR COLOR SEE TABLE.
- ② PLATING:  
CONTACTS - 0.076um MINIMUM GOLD OVER 0.76um MINIMUM PALLADIUM-NICKEL ON MATING AREA, 3.8um MINIMUM MATTE TIN ON SOLDER TAILS, BOTH OVER 1.27um MINIMUM NICKEL.  
CONTACT ALTERNATE PLATING: 0.76um MINIMUM GOLD ON MATING AREA, 3.80um MINIMUM MATTE TIN ON SOLDER TAILS, BOTH OVER 1.27um MINIMUM NICKEL.  
SHELL - 2~5um MINIMUM BRIGHT TIN.
- ③ DATUM AND BASIC DIMENSIONS ESTABLISHED BY CUSTOMER.
- ④ RECOMMENDED PC BOARD THICKNESS OF 1.57mm.

NATURAL	0-5787834-2
BLACK	0-5787834-1
HOUSING COLOR	PART NUMBER

THIS DRAWING IS A CONTROLLED DOCUMENT.		DRN Wang Wang 28MAY2004	Tycoo Electronics Corporation Shanghai, P.R.China, 200233
		CHK Steven Yao 28MAY2004	
DIMENSIONS: mm		APVD Takinori Sasaki 28MAY2004	NAME
TOLERANCES UNLESS OTHERWISE SPECIFIED:		RECEPTACLE ASSY, 4 POS. VERTICAL, THRU-HOLE, TYPE B UNIVERSAL SERIAL BUS	
0 PLC ± -	1 PLC ± 0.1	SIZE	CAGE CODE
2 PLC ± 0.05	3 PLC ± 0.015	A2	00779
4 PLC ± -	ANGLES ± -	SCALE	5:1
MATERIAL	FINISH	WEIGHT	RESTRICTED TO
-①	-②		
CUSTOMER DRAWING		SHEET	1 OF 1
		REV	A

5787834

A