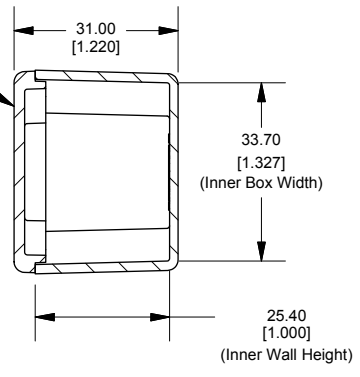
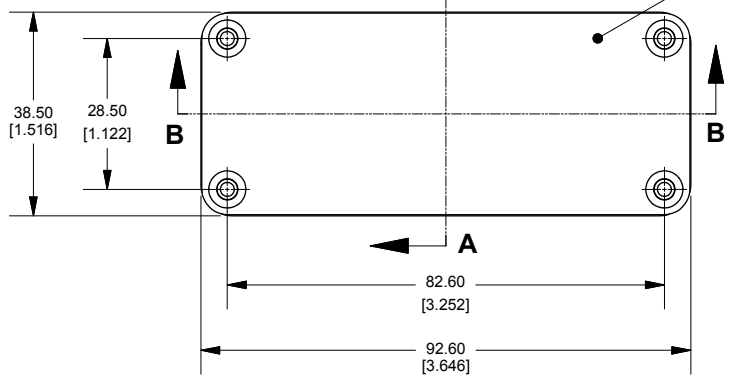


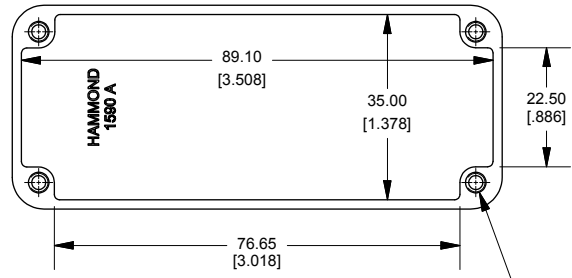
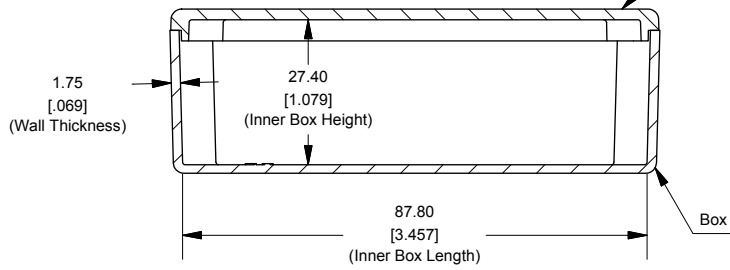
Top View of Assembly

SECTION A-A
End View of Assembly



SECTION B-B
Side View of Assembly

Top View Looking Inside Box

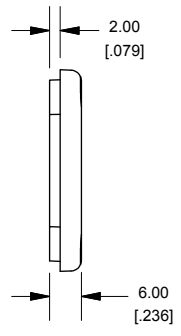
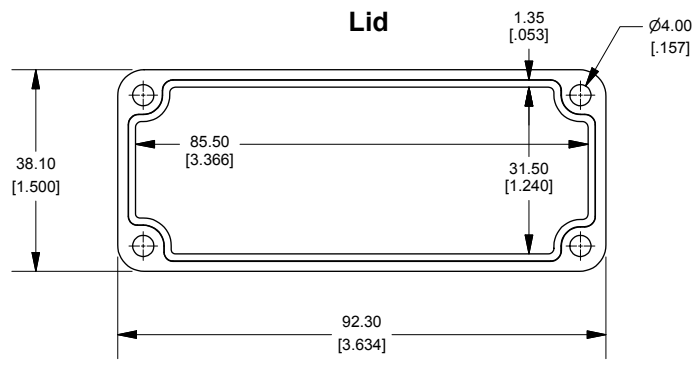


Enclosures can be Factory Modified (Milling, Drilling, Printing etc.)
 Contact Factory: mjm@hammondmfg.com for quotes
 Solid models of this enclosure available in STEP or IGES.

NOTE
 Purchased assembly includes box, lid and 4 cover screws.
 Box and lid are made from Diecast Aluminum Alloy.
 Silicone Gasket supplied with liquid resistant enclosure.

PART NUMBERS	
1590A Enclosure	
Natural Finish Enclosure	1590A
Black Textured Enclosure	1590ABK
1590A Liquid Resistant Enclosure (Silicone Gasket)	
Natural Finish Enclosure	1590WA
Black Textured Enclosure	1590WABK
ACCESSORIES	
Recommended Torque: 75 ozf.in / 55 cN.m	
Liquid Resistant Cover Screws	
Stainless Steel Cover Screws (Pkg 100) [6-32 x 1/2" With O-Ring]	1590WMS100
Black Stainless Steel Cover Screws (Pkg 100) [6-32 x 1/2" With O-Ring]	1590WMS100BK
Standard Cover Screws	
Plated Cover Screws (Pkg 100) [6-32 x 1/2"]	1590MS100
Black Cover Screws (Pkg 100) [6-32 x 1/2"]	1590MS100BK

Lid



6-32 UNC ∇ 10.00
 \square ϕ 3.90 ∇ 2.70
 (Threaded Holes)

Dimensions:
 mm
 [inches]

**HAMMOND
 MANUFACTURING™**

1590A

www.hammondmfg.com