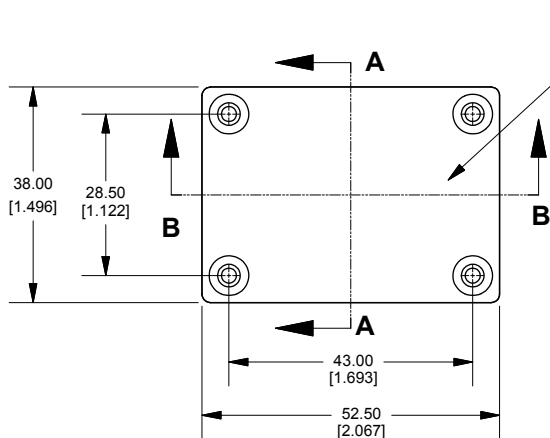
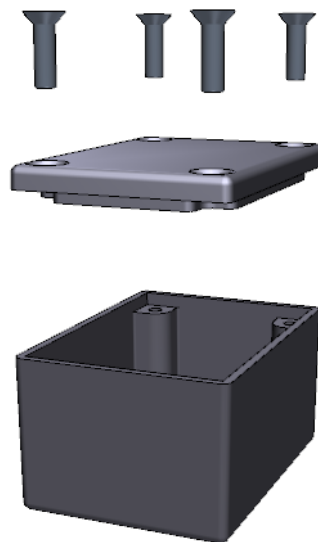
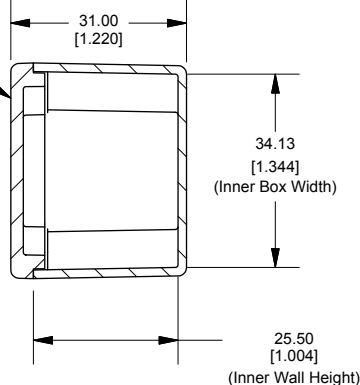


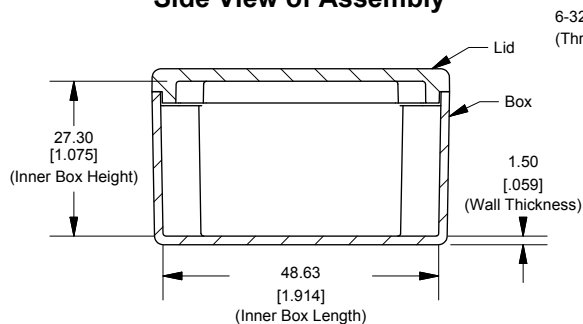
Top View of Assembly



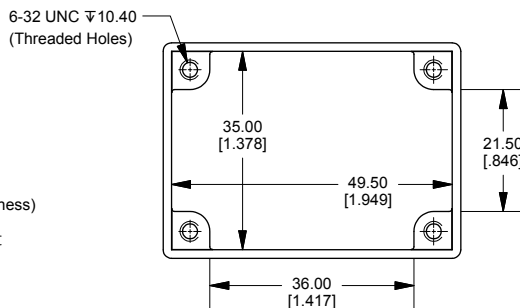
**SECTION A-A
End View of Assembly**



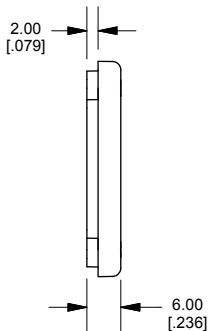
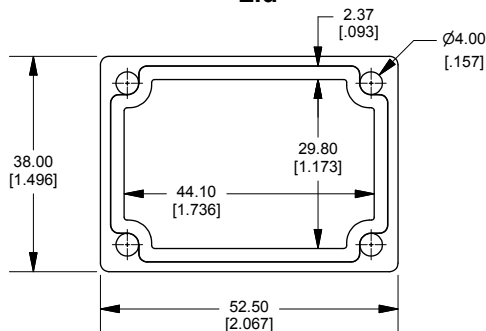
**SECTION B-B
Side View of Assembly**



Top View Looking Inside Box



Lid



Enclosures can be Factory Modified (Milling, Drilling, Printing etc.)
Contact Factory mjm@hammondmfg.com for quotes
Solid models of this enclosure available in STEP or IGES.

NOTE

Purchased assembly includes box, lid and 4 cover screws.
Box and lid are made from Diecast Aluminum Alloy.
Silicone Gasket supplied with liquid resistant enclosure.

PART NUMBERS

1590H Enclosure	
Natural Finish Enclosure	1590H
Black Textured Enclosure	1590HBK
1590H Liquid Resistant Enclosure (Silicone Gasket)	
Natural Finish Enclosure	1590WH
Black Textured Enclosure	1590WHBK
ACCESSORIES	
Recommended Torque: 75 ozf.in / 55 cN.m	
Liquid Resistant Cover Screws	
Stainless Steel Cover Screws (Pkg 100) [6-32 x 1/2" With O-Ring]	
1590WMS100	
Black Stainless Steel Cover Screws (Pkg 100) [6-32 x 1/2" With O-Ring]	
1590WMS100BK	
Standard Cover Screws	
Plated Cover Screws (Pkg 100) [6-32 x 1/2"]	
1590MS100	
Black Cover Screws (Pkg 100) [6-32 x 1/2"]	
1590MS100BK	

**HAMMOND
MANUFACTURING™**

1590H

www.hammondmfg.com

Dimensions:
mm
[inches]