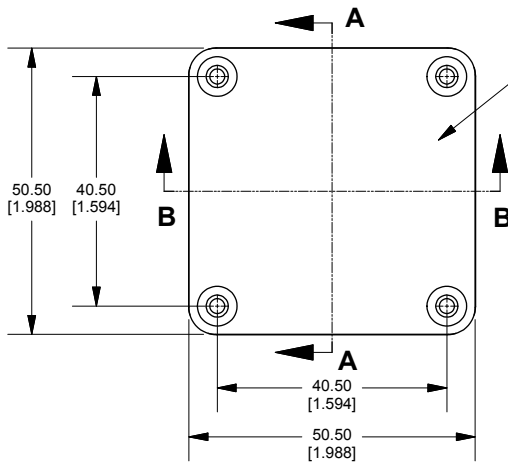
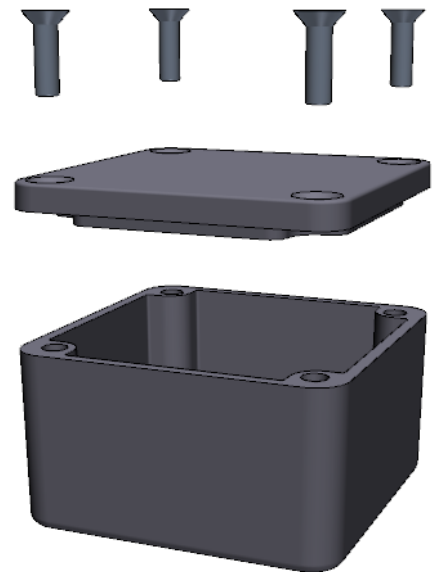
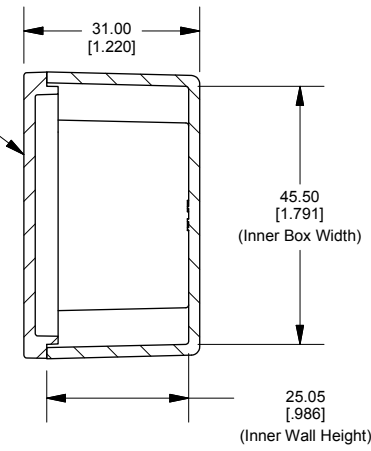


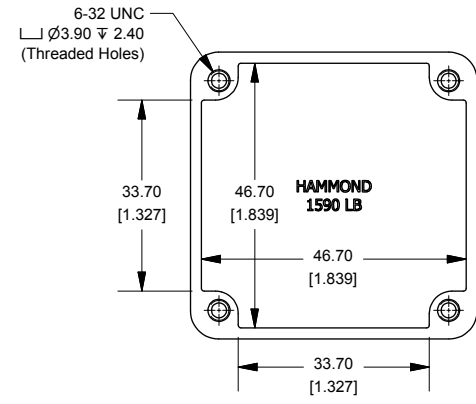
Top View of Assembly



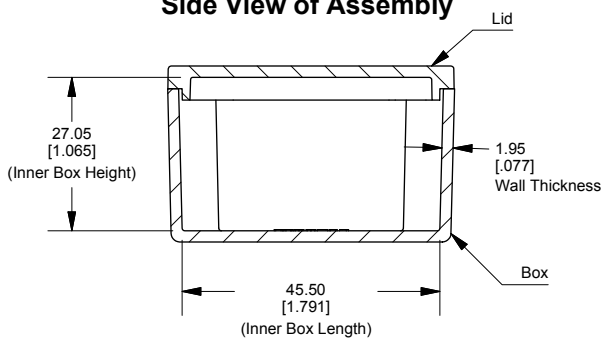
SECTION A-A End View of Assembly



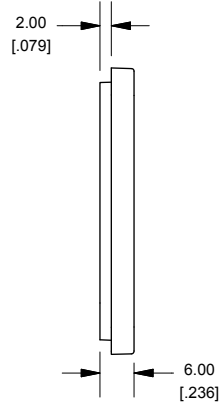
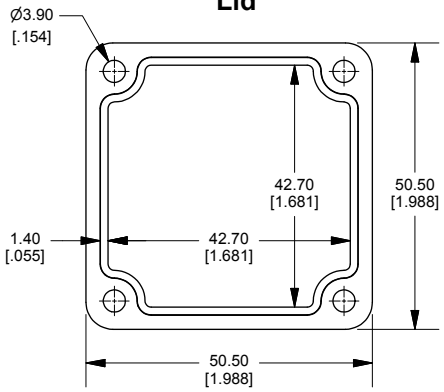
Top View Looking Inside Box



SECTION B-B Side View of Assembly



Lid



Enclosures can be Factory Modified (Milling, Drilling, Printing etc.)
 Contact Factory mjm@hammondmfg.com for quotes
 Solid models of this enclosure available in STEP or IGES.

NOTE

Purchased assembly includes box, lid and 4 cover screws.
 Box and lid are made from Diecast Aluminum Alloy.
 Silicone Gasket supplied with liquid resistant enclosure.

PART NUMBERS

1590LB Enclosure	
Natural Finish Enclosure	1590LB
Black Textured Enclosure	1590LBBK
1590LB Liquid Resistant Enclosure (Silicone Gasket)	
Natural Finish Enclosure	1590WLB
Black Textured Enclosure	1590WLBBK
ACCESSORIES	
Recommended Torque: 75 ozf.in / 55 cN.m	
Liquid Resistant Cover Screws	
Stainless Steel Cover Screws (Pkg 100)	
[6-32 x 1/2" With O-Ring]	1590WMS100
Black Stainless Steel Cover Screws (Pkg 100)	1590WMS100BK
[6-32 x 1/2" With O-Ring]	
Standard Cover Screws	
Plated Cover Screws (Pkg 100)	1590MS100
[6-32 x 1/2"]	
Black Cover Screws (Pkg 100)	1590MS100BK
[6-32 x 1/2"]	

**HAMMOND
MANUFACTURING™**

1590LB

www.hammondmfg.com

Dimensions:
mm
[inches]