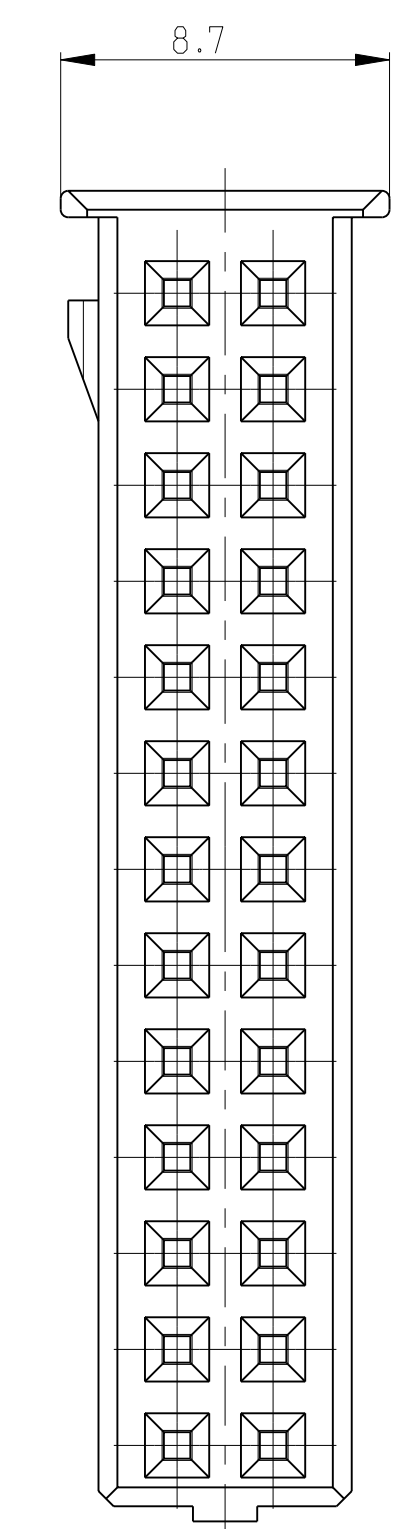
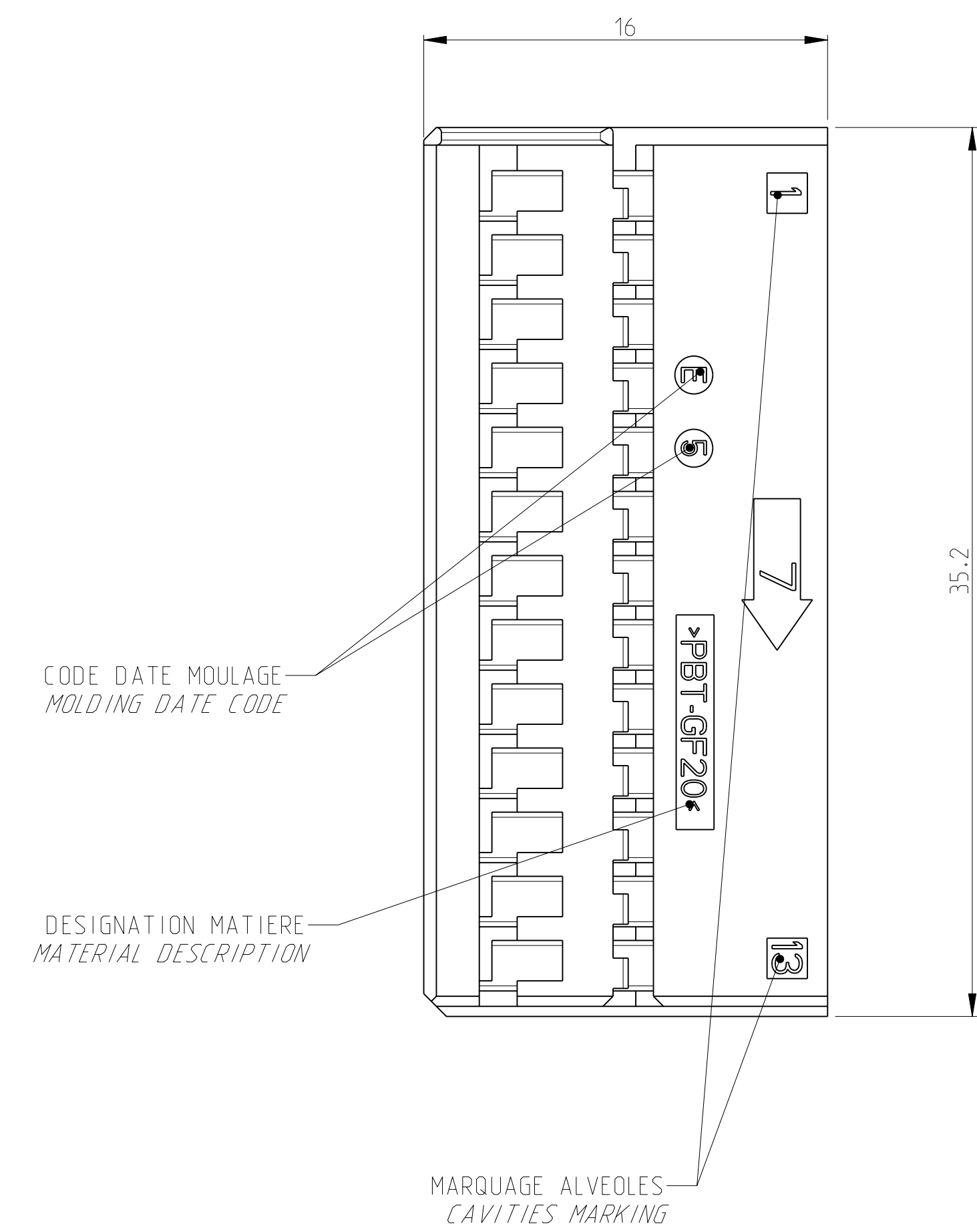
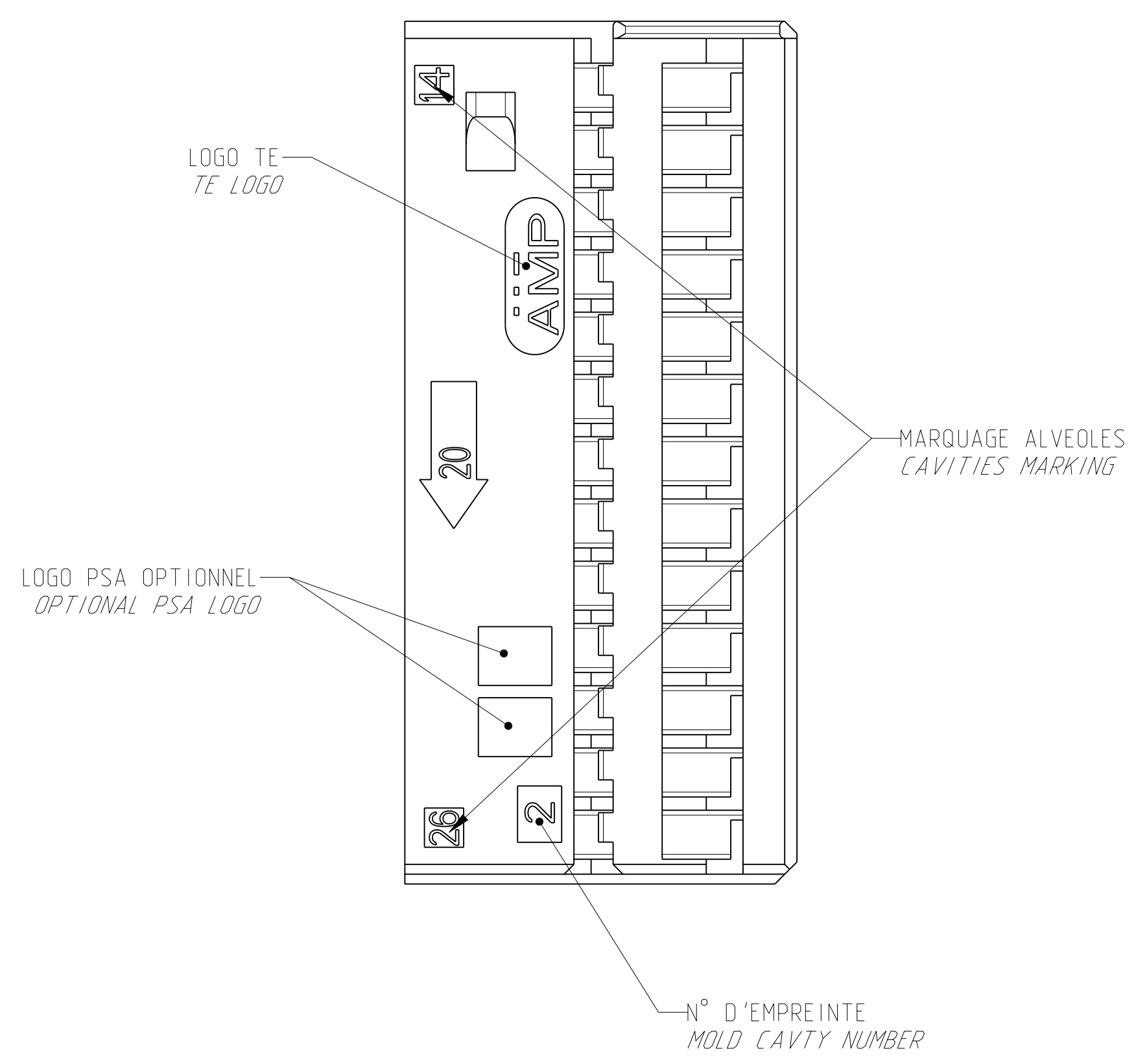
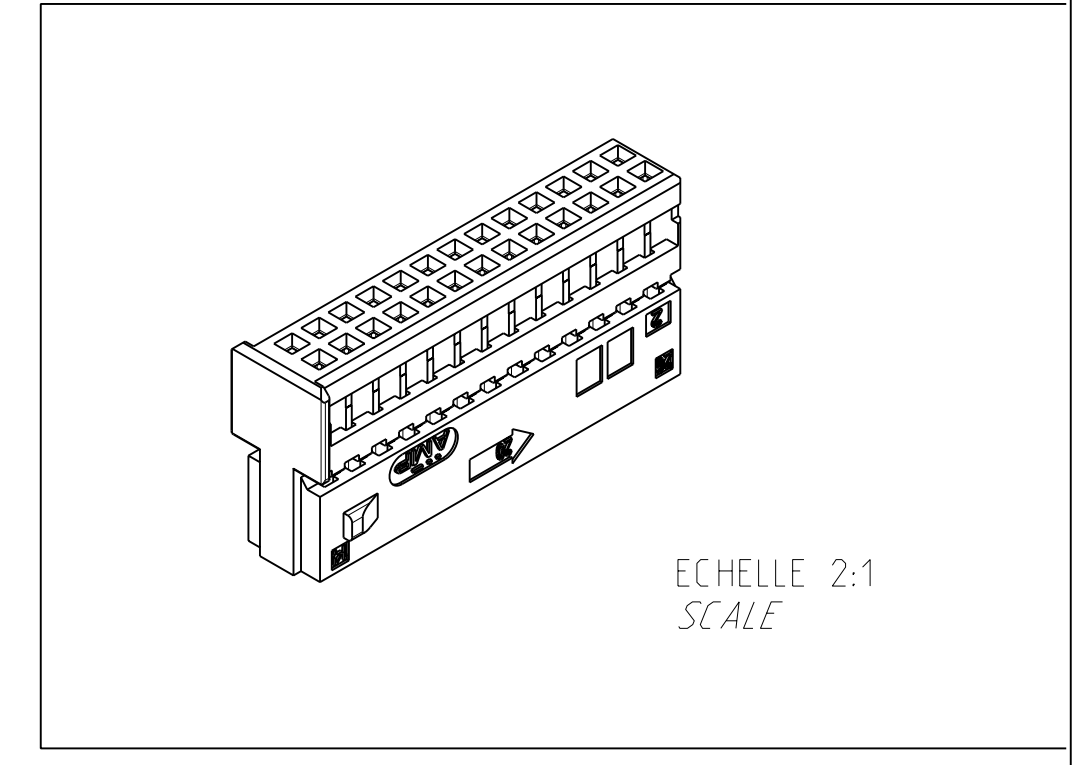
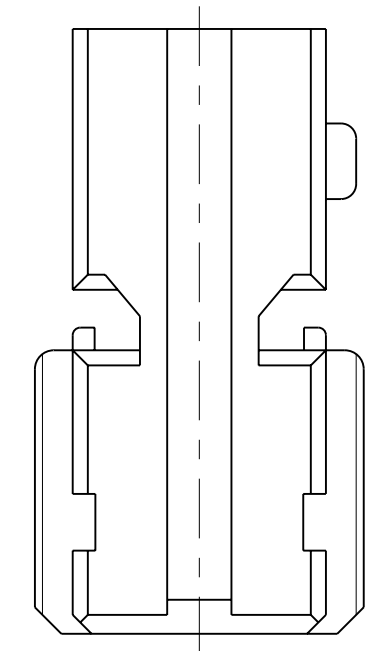


LOC	DIST	REVISIONS			
F	00	REV	DESCRIPTION	DATE	APP
		A	CREATION	09.JUL.2009	NS XR



NOTE

1 - CABLAGE MAXI : 8 FILS DE SECTION 0.6 mm2
 (DIA MAXI ISOLANT DE 1.9 mm)
 POUR FORCE D'INSERTION MODULE/PORTE MODULE : F-20N
 ET POUR ETRE EN CONFORMITE AVEC LA SPEC. 108-15158

- MAXIMAL CABLING : 8 WIRES SECTION 0.6mm2
 (DIA MAXIMAL INSULATOR 1.9mm)
 FOR THE INSERTION FORCE MODULE/ASSY COVER : F-20N
 AND TO BE IN ACCORDANCE WITH THE SPEC. 108-15158

COMPOSANTS ASSOCIES MATING PARTS	
REF. TE TE PART NUMBER	DESIGNATION
185879-X	PORTE MODULE 26 VOIES MQS ASSEMBLY COVER 26 W MQS

185875-1 REPRESENTEE
AS SHOWN

PBT 20% FV PBT GF20	NOIR BLACK	185875-1
MATIERE MATERIAL	COULEUR COLOR	REF TE TE PN

<small>THIS DRAWING IS UNPUBLISHED. RELEASED FOR PUBLICATION DIFFUSION RESTREINTE AMP. LIBRE A LA DIFFUSION BY TYCO ELECTRONICS CORPORATION. ALL RIGHTS RESERVED. THIS RIGHTS RESERVED.</small>		DWN/DESINE N. SIMON 09 JUL 2009	Tyco Electronics France SAS 95300 Pontoise, France
<small>TOI ERANCES UNLESS OTHERWISE SPECIFIED: DIMENSIONS: mm</small>		APVD/APPROUVE X. DROUILLARD 16 JUL 2009	NAME RECEPTACLE HOUSING 26W MQS GENE 2 PORTE CLIP 26 VOIES MQS GENE 2
<small>MATERIAL MATIERE</small>		WEIGHT MASSE APPROX. 2.4 gr	SIZE FORMAT A1
<small>FINISH</small>		CUSTOMER DRAW ING /PLAN CLIENT	RESTRICTED TO RESERVE A
<small>SCALE</small>		UNIFORMITY FOUR REFERENCE	SHEET FEUILLE 1 OF DE 1
<small>SCALE</small>		SCALE ECHELLE 5:1	REV A