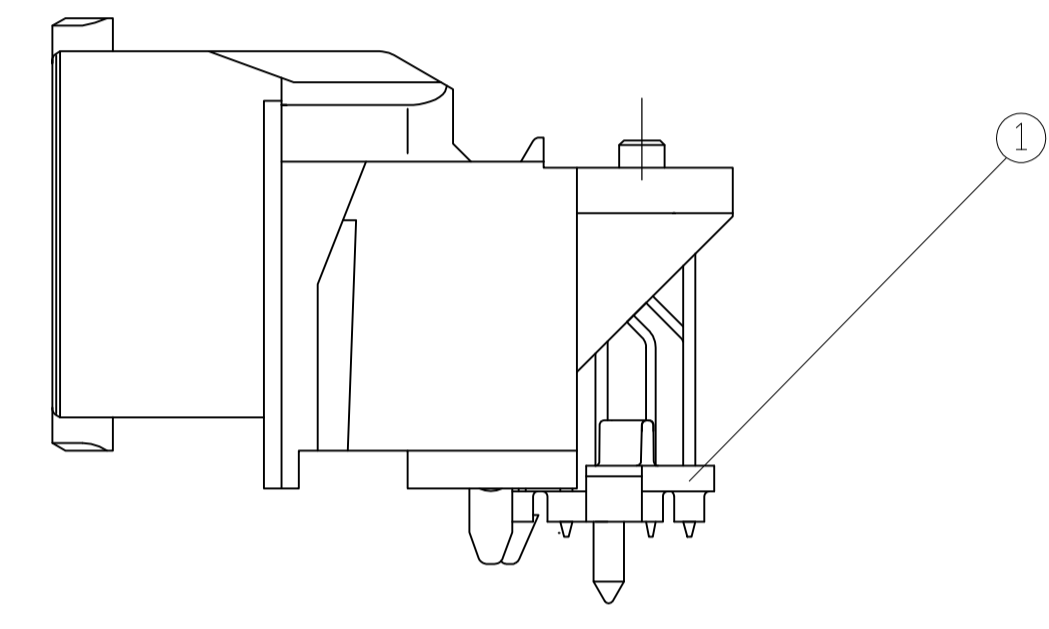
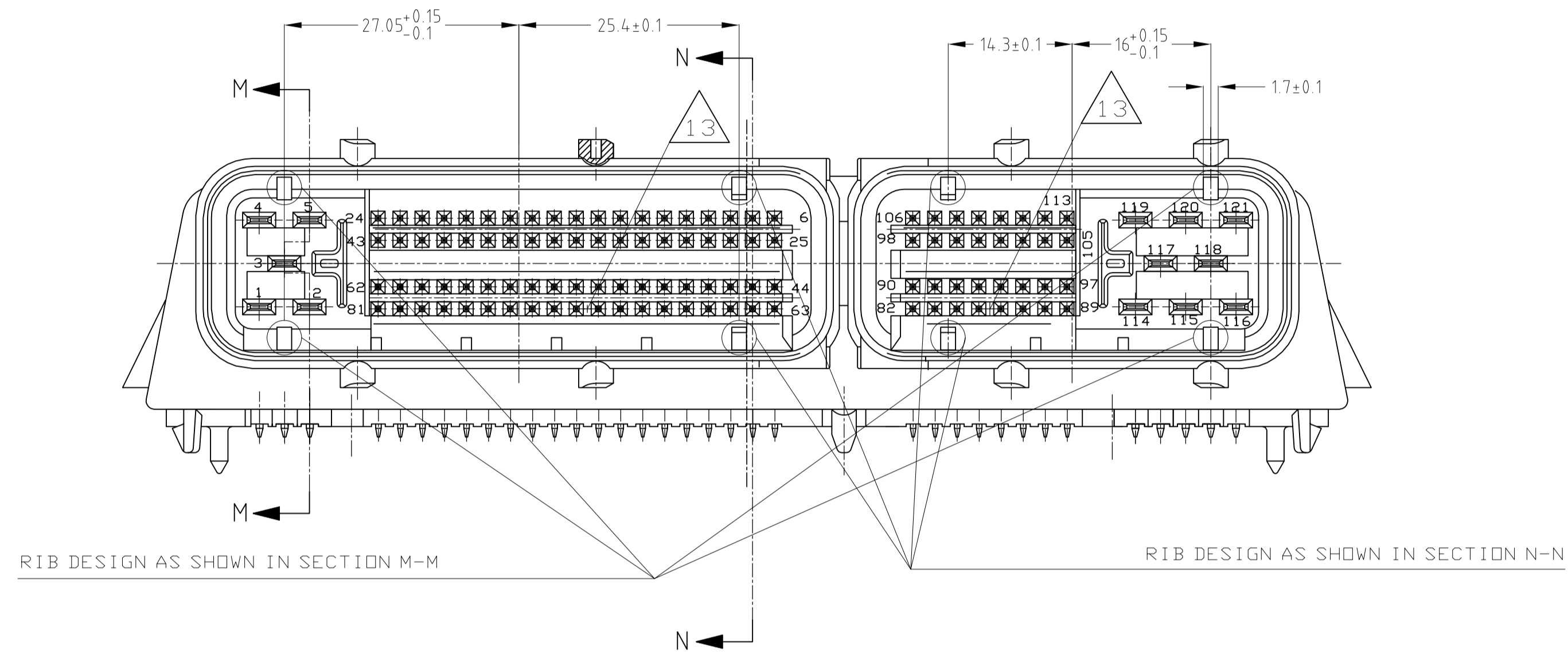


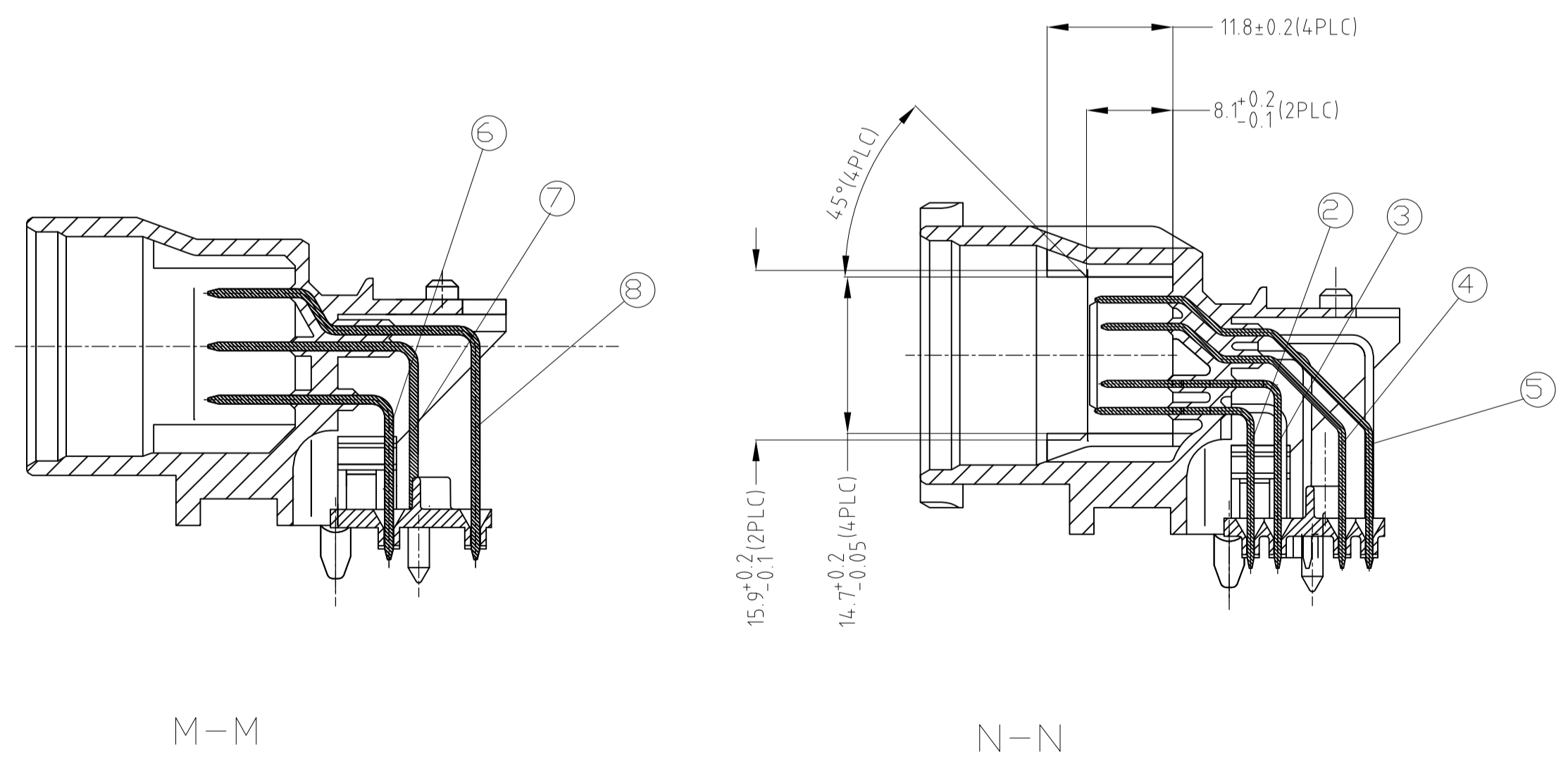
REVISIONS				
REV	DATE	BY	APPV	DESCRIPTION
-	-	-	-	SEE SHEET 1

1746979-1 CODING A
 AS SHOWN
 SHOWN WITHOUT CENTERPLATE



RIB DESIGN AS SHOWN IN SECTION M-M

RIB DESIGN AS SHOWN IN SECTION N-N



M-M

N-N

14

PIN-/TAB-HEADER	SUITABLE-RECEPTACLE-HOUSINGS	
	40POSN. Tyco-PART-NO.	81POSN. Tyco-PART-NO.
1746979-1	1473252-1	1473244-1
1746979-1	368383-1	368376-1

REVISION CODING	Q	D	A
1746979-1			
1-1746979-1			

ORDER-NO.	ITEM NO.	QTY.	SINGLE-PART-NO.	REV.	SINGLEPART DESC.	MATERIAL	
X	X	8	5	1743145-6	B	TAB 2. 8X0. 8; LONG	CuSn 6
X	X	7	3	1743145-4	C	TAB 2. 8X0. 8; MIDDLE	CuSn 6
X	X	6	5	1743145-2	C	TAB 2. 8X0. 8; SHORT	CuSn 6
X	X	5	27	1-1743233-2	B	PIN 00. 63 ; LONGEST	CuSn 6
X	X	4	27	1-1743233-1	B	PIN 00. 63 ; LONG	CuSn 6
X	X	3	27	1743187-4	D	PIN 00. 63 ; MIDDLE	CuSn 6
X	X	2	27	1743187-3	D	PIN 00. 63 ; SHORT	CuSn 6
X		1	1	1746995	D	CENTER-PLATE	PBT GF. 30

THIS DRAWING IS A CONTROLLED DOCUMENT.

WIRE RANGE: 符合國際標準規格 INSULATION DIA: 符合國際標準規格

DIN: D. MATSUURA OBPAP04
 CHK: T. KOHNO OBPAP04
 APVD: K. SHIMIZU OBPAP04
 NAME: K. SHIMIZU
 PRODUCT SPEC: 製品規格
 APPLICATION SPEC: 取付適用規格

SIZE: A1 CAGE CODE: 00779 DRAWING NO: 1746979 RESTRICTED TO: -
 WEIGHT: 73g SCALE: 2:1 SHEET: 2 OF 2 REV: B1

CUSTOMER DRAWING

TOLERANCES UNLESS OTHERWISE SPECIFIED:
 n. ISO 8015
 n. ISO 2768 - mH - E
 n. DIN 16901 - 140
 ANGLE: 12°

TOLERANCES UNLESS OTHERWISE SPECIFIED:
 0 PLC ±
 1 PLC ±
 2 PLC ±
 3 PLC ±
 4 PLC ±
 ANGLES ±