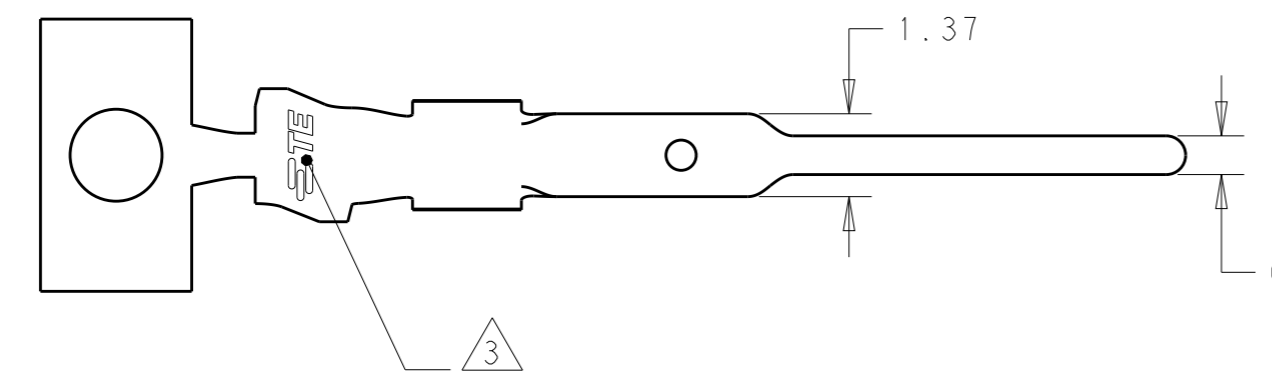
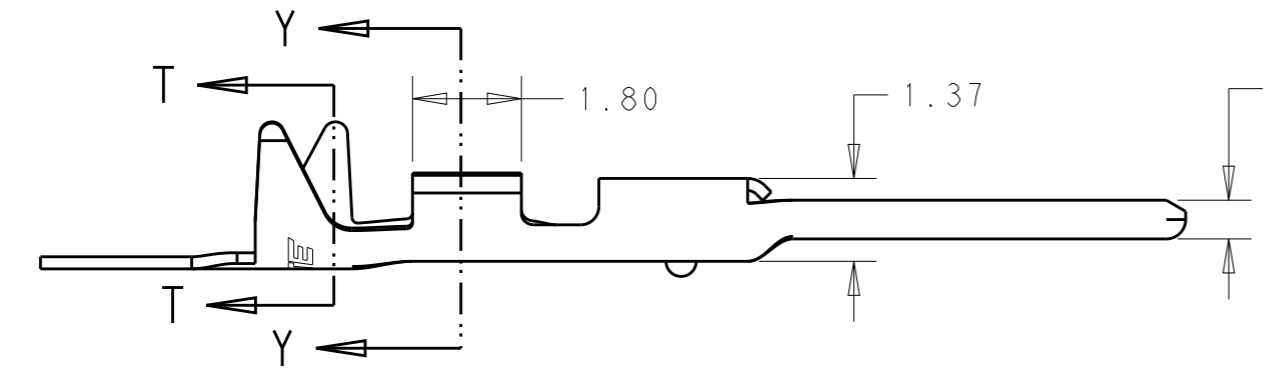
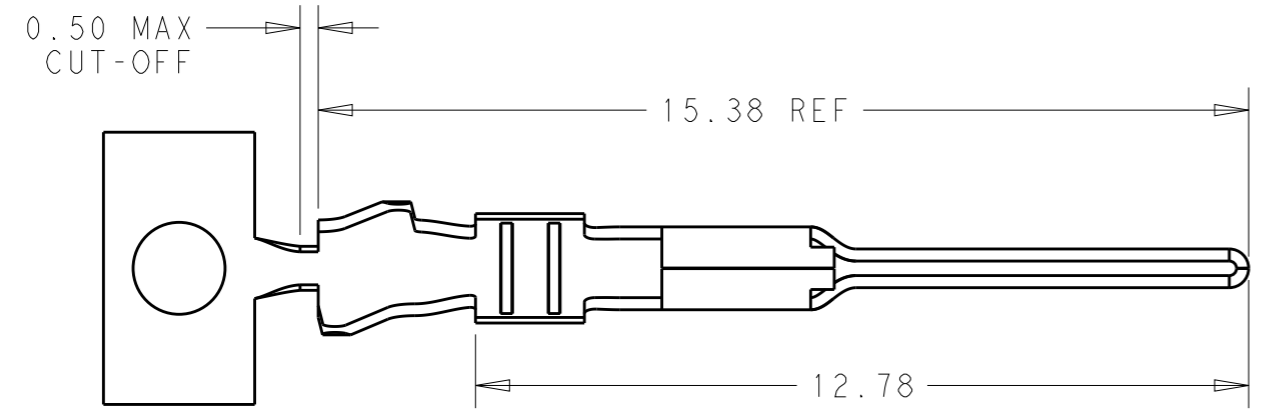
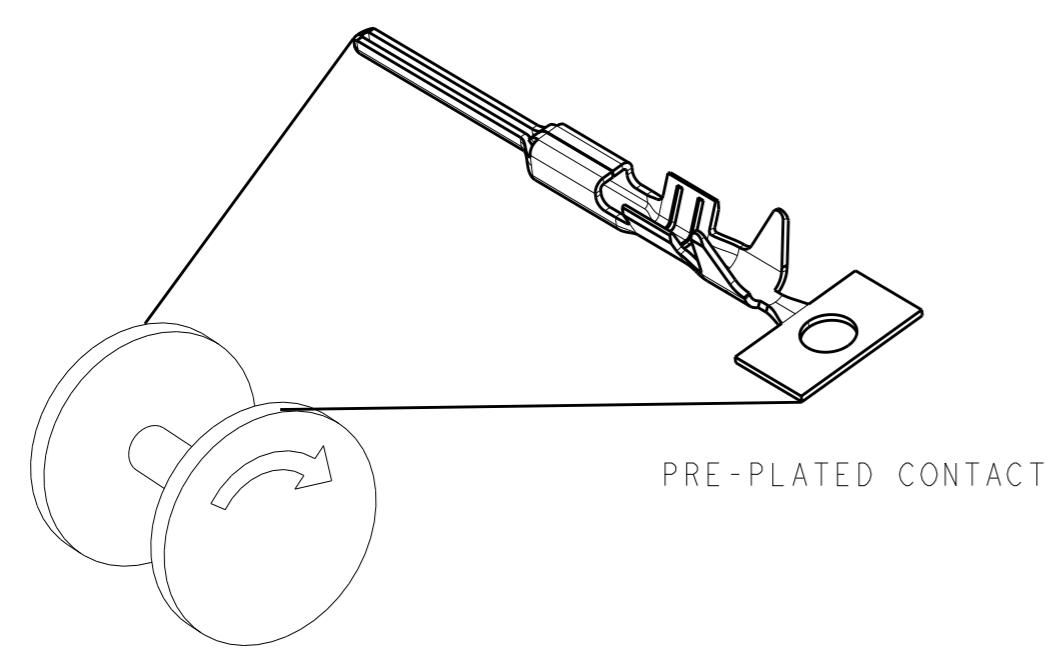
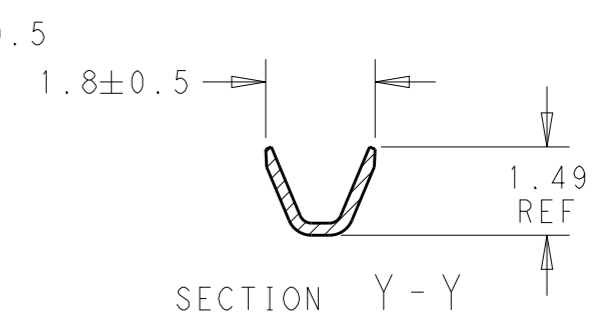
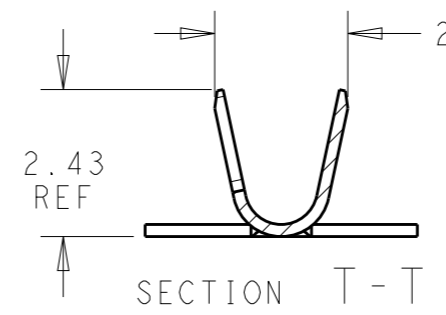
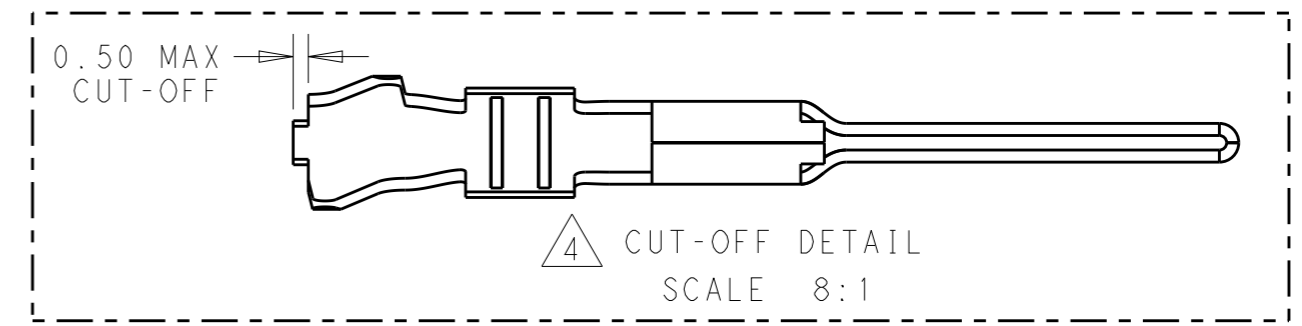


THIS DRAWING IS UNPUBLISHED. RELEASED FOR PUBLICATION 20
 © COPYRIGHT 20 BY - ALL RIGHTS RESERVED.

REVISIONS					
P	LTR	DESCRIPTION	DATE	DWN	APVD
	A	INITIAL RELEASE	08AUG2019	L.C	D.Z



- 1 BRASS, 0.20 THK, REF
- 2 FINISH: TIN PRE-PLATED
- 3 TE CONNECTIVITY LOGO LOCATED APPROX AS SHOWN
- 4 TO BE SUPPLIED WITH LOOSE PIECE, SEE CUT-OFF DETAIL
- 5 MATING RECEPTACLE HOUSING P/Ns: 2321924-* OR 2321926-*
- 6 APPLICATION FEED 6.0mm



INSULATION DIA	WIRE RANGE	REMARKS	FINISH	PART NO
1.30-1.60	22-26 AWG	LOOSE PIECE, SEE 4	2	1-2321928-1
1.30-1.60	22-26 AWG	ON REEL	2	2321928-1

THIS DRAWING IS A CONTROLLED DOCUMENT.		DWN R. SMITH 28JUL2017	TE Connectivity		
DIMENSIONS: mm		CHK C. YI 28JUL2017			
TOLERANCES UNLESS OTHERWISE SPECIFIED:		APVD C. YI 28JUL2017	NAME TAB TERMINAL, SDL 2.5 WATERPROOF		
0 PLC ±-		PRODUCT SPEC 108-143069	SIZE A3		
1 PLC ±0.50		APPLICATION SPEC 114-143067	CAGE CODE 00779	DRAWING NO C-2321928	RESTRICTED TO -
2 PLC ±0.25		WEIGHT -	SCALE 5:1 SHEET 1 OF 1 REV A		
3 PLC ±-		CUSTOMER DRAWING			
4 PLC ±-					
ANGLES ±-					
FINISH -					
MATERIAL 1		SEE NOTES			