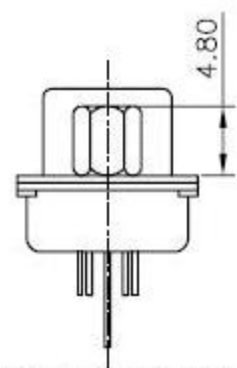
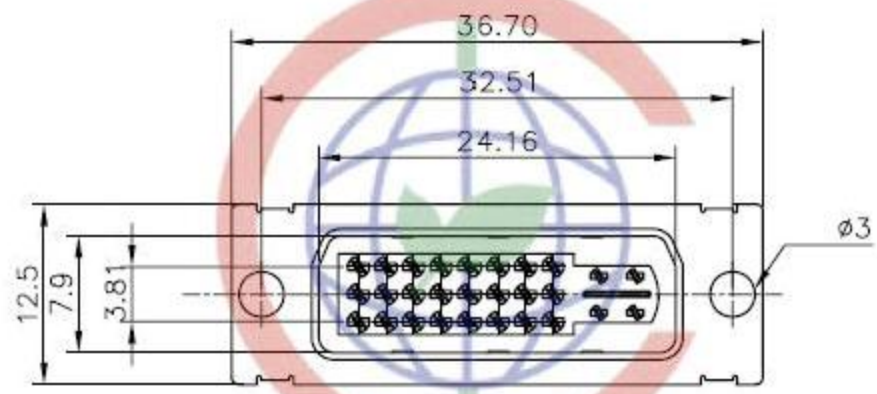


REV.	DESCRIPTION	DRAWN	CHECKED	APPROVED
A	NEW RELEASE	LL 12/02/06'		



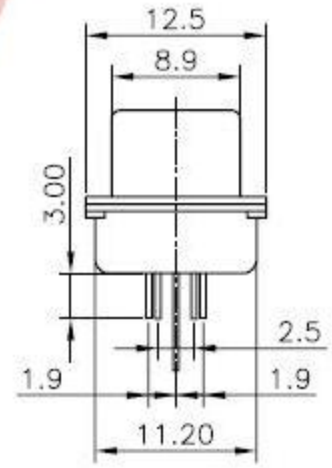
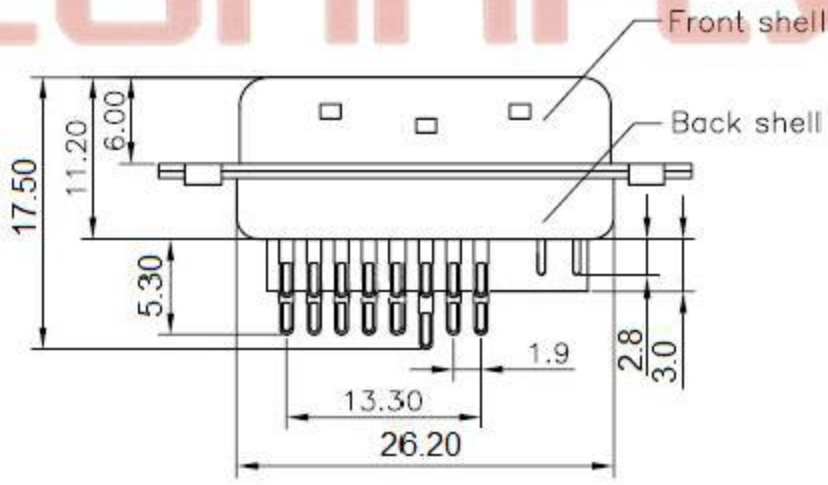
NOTES:

- SPECIFICATIONS
  - Contact Resistance: 30mΩ max
  - Insulation Resistance: 1000MΩ min.
  - Current Rating: 1A
  - Dielectric withstanding voltage: AC 500V For 1 minute
  - Contact: Copper alloy.
  - Housing: Thermoplastic(UL 94V-0)
  - Resistance to soldering heat: 260±5°C 5±0.5s.

2. PRODUCT NUMBER CODE:

DS1089 - X X X X

- SCREW TYPE
  - X:W/O SCREW
  - S:W/ #4-40(UNC) SCREW
- Contact plating
  - 0: Selective gold flash
- Shell plating
  - N: Front shell Nickel, Back shell Tin
  - T: Front & back shell Tin
- Color of housing
  - W: WHITE
  - K: BLACK
  - V: Ivory



Tel: 86-574-63508787  
Fax: 86-574-63510817

GENERAL TOLERANCE		ANGLE TOLERANCE		PROJECTION		TITLE	
X.	±0.60	X.	±5'	mm		DVI PLUG 24+5	
.X	±0.38	.X	±3'	A4		SERIES DS1089 RoHS SERIES	
.XX	±0.25	.XX	±2'				
DRAWING TYPE		CUSTOMER		<b>晨翔电子有限公司</b> <b>CONNFLY CONNFLY ELECTRONIC CO. LTD</b>			
SCALE		1:1					
DRAWING NO.		C-DS1089-XXXX					