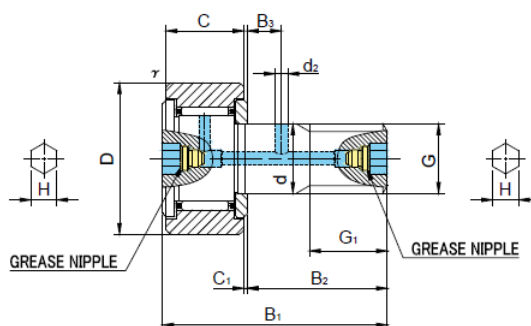


Datasheet

Stock No: 2346950

RS PRO Standard Type Cam Follower, Crowned Outer, Steel



Standard Type Cam Follower, Crowned Outer, Steel

Specifications:

Basic dimensions

Outer diameter [D]	80 mm
Outer width [C]	35 mm
Stud diameter [d]	30 mm
Thread size [G]	M30 X 1.5
Thread length [G1]	32 mm
Overall length [B1]	100 mm
Stud length [B2]	63 mm

Physical properties

Load rating dynamic [Cr]	45370 n
Load rating static [C0r]	85060 n
Limiting speed grease	5000 rpm

Other data

Weight	1.87000 kg
--------	------------