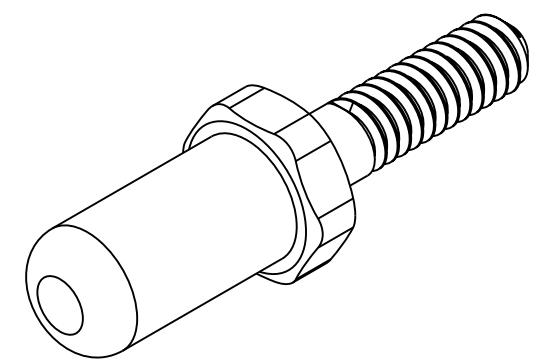
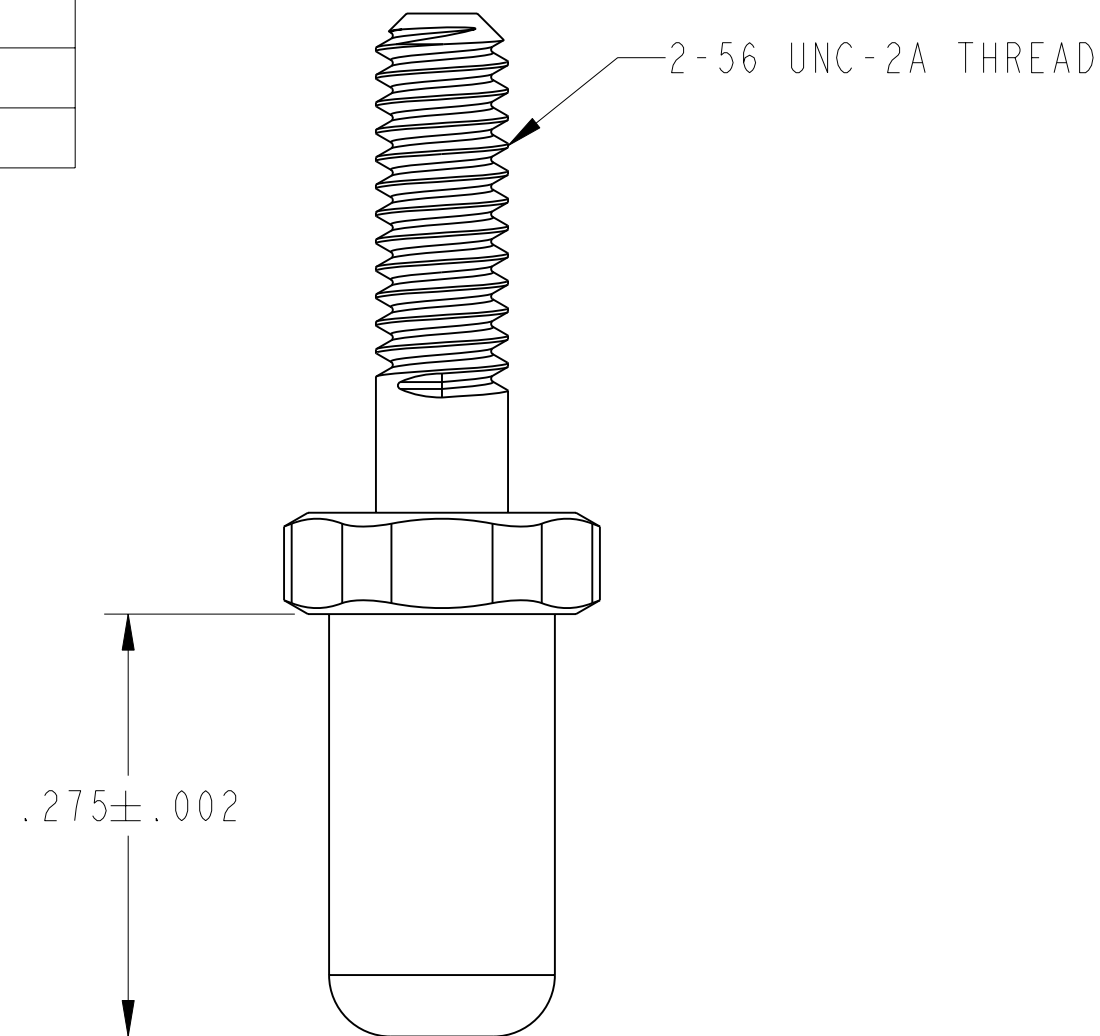
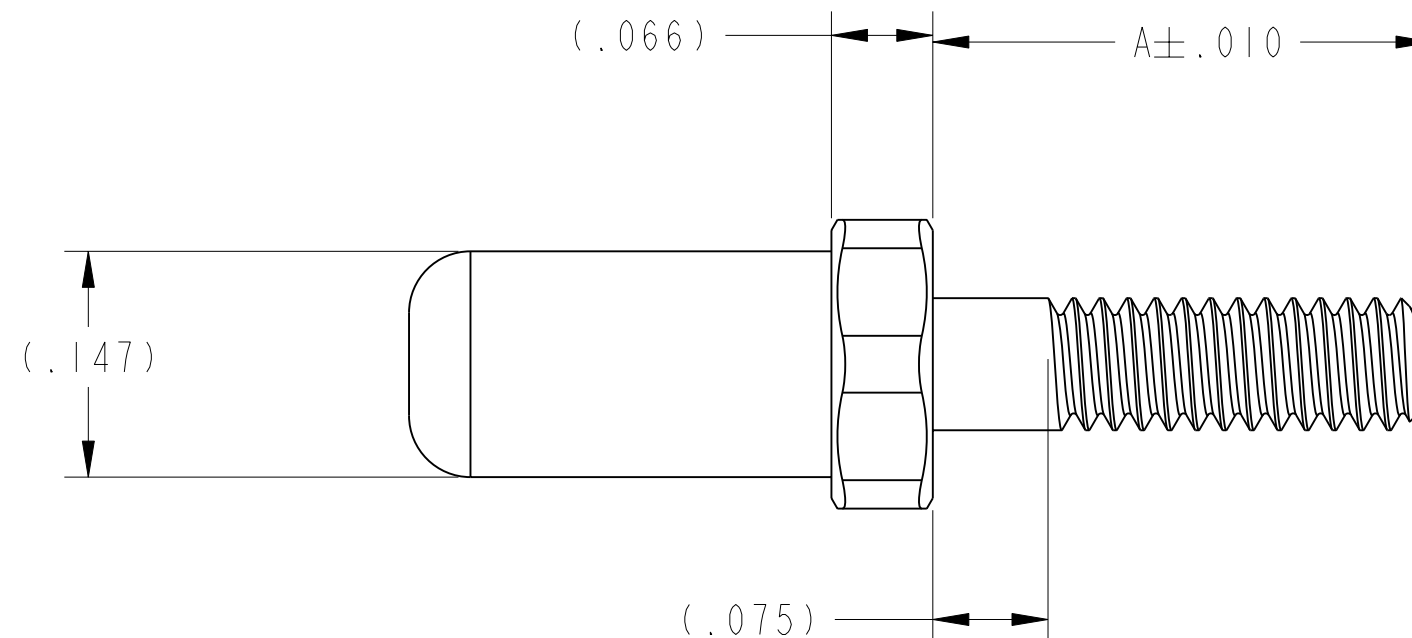
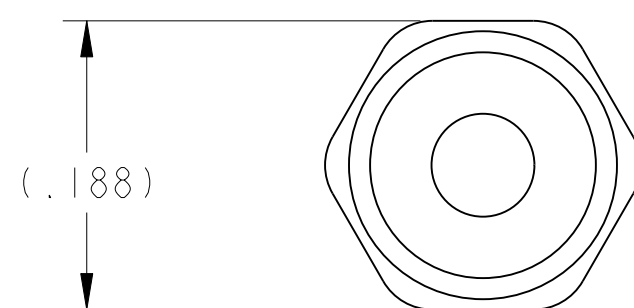


E		SHEET 1 OF 1		HDB-508802-()	
REVISIONS					
LTR	DESCRIPTION	DATE			
A	INITIAL RELEASE	08/08/2007			
B	CL (11) SEE CHANGE NOTICE ECNA4197-0000	12/14/2007 DM			
C	CL (11) SEE CHANGE NOTICE ECN: B0846-0000	01/13/2011 D. MORSE			
D	CL(11) SEE CHANGE NOTICE ECN: B5712	1/30/13 RKC			
E	CL (11) SEE CHANGE NOTICE ECN: B6096-0000	3/25/13 MRG			

PART NUMBER	A	CONNECTOR STICKOUT (REF)
HDB-508802-001	.325	.250
HDB-508802-002	.575	.500
HDB-508802-003	.825	.750
HDB-508802-004	.275	.200
HDB-508802-005	.340	.265
HDB-508802-006	.515	.440



SCALE 5.000



NOTES: 1. USE TABLE TO COMPLETE PART NUMBER SUFFIX.

THE USE OF THIS DOCUMENT IS UNLIMITED. HOWEVER, DOCUMENTS REFERENCED HEREON MAY CONTAIN LIMITED RIGHTS DATA.

N/A
NEXT ASSEMBLY

PRO/ENGINEER INFORMATION
Pro/e Model Used:
10-508802-001.PART
Drawing Name:
HDB-508802-000

UNLESS OTHERWISE SPECIFIED
LINEAR DIMENSIONS ARE IN INCHES
TOLERANCES:
.XXXX = ±.0005 ANGLES= ±2°
.XXX = ±.010
.XX = ±.03
.X = ±.1
DIM. & TOL. PER ASME Y14.5M;
DRM PER MIL-DTL-31000;
OTHER Amphenol Stds. PER 9-3800
LEGENDS:
=FLAG NOTE CALL OUT
REFERENCE ONLY

SPECIFICATIONS
MATERIAL SPEC.
STAINLESS STEEL
AMS 5640
PROCESS SPEC.
PASSIVATED

POS	QTY	PART NUMBER	DESCRIPTION	NOTE
M/F 10-508802-()				
PARTS LIST				
AMPHENOL CORPORATION 40-60 DELAWARE AVENUE SIDNEY, N.Y. 13858				
GUIDE PIN MOTHER BOARD CONNECTOR HDB3 CONNECTOR SERIES				
SIZE	CAGE CODE	DOCUMENT NO.	REV.	
C	77820	HDB-508802-()	E	
SCALE: 8.0		REF. N/A	SHEET 1 OF 1	

HDB-508802-()

SHEET 1 OF 1

REV. E

C

B

A

FORMAT: C-0-E-1

VERSION 01

REVISION E

RELEASE STATE WIP

REV. E

SHEET 1 OF 1

HDB-508802-()

Mouser Electronics

Authorized Distributor

Click to View Pricing, Inventory, Delivery & Lifecycle Information:

[Amphenol:](#)

[HDB-508802-001](#) [HDB-508802-002](#)