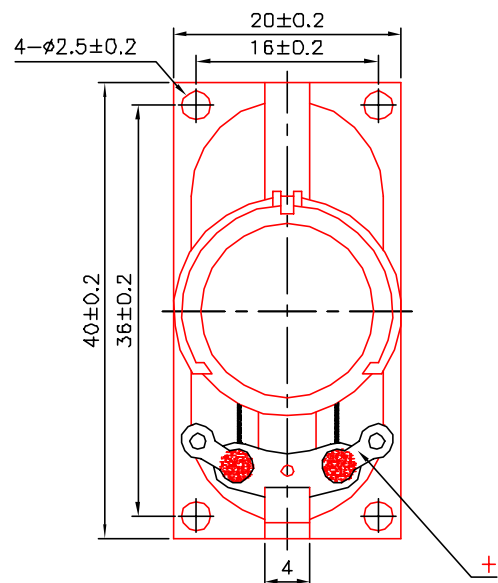
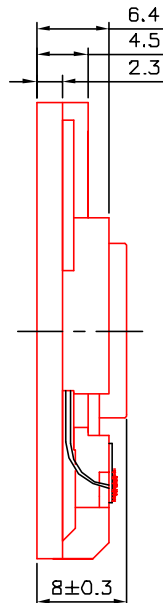
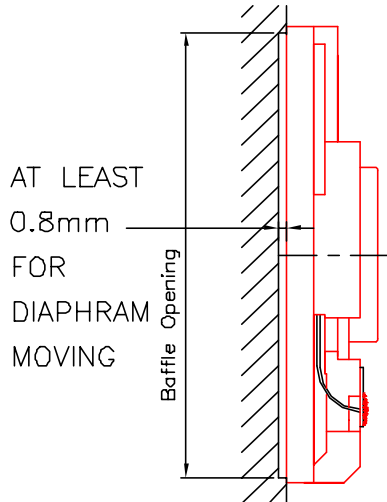


VECO VANSONIC ENTERPRISE CO., LTD.

8F., No.7, Lane 16, Sec.2, Szechwan Road, Panchiao, Taipei Hsien, TAIWAN.
 TEL: +886-2-29626335 FAX: +886-2-29625220 E-MAIL: VANSONIC@MS4.HINET.NET

1.	MODEL:	40KS08P-1
2.	Dimension	Outer Diameter 20 X 40mm. Baffle Opening 19 X 39mm.
		Height Refer to Drawing Weight 6.4 Grams.
3.	Magnet	Materials Rare Earth Size ∅ 11.5x1.5 mm.
4.	Nominal Resistance	8 ± 15 %
5.	Power Rating	Normal 2 W. Maximum 3 W.
6.	Lowest Resonant Frequency	540 ± 20 % Hz.
7.	Output Sound Pressure Level (S.P.L.)	87 ± 3 db / 1.0 Watt . 0.5 Meter.
		Average at 600, 1000, 1000, 1200 Hz.
8.	Frequency Range	300 ~ 15000 Hz. Average SPL - 10 db.
9.	Distortion	5 % Maximum At 1000 Hz. 1 W.
10.	Abnormal Sound Test	Must be Normal Tested By 4 Volts. Sine Wave.
11.	Load Test	White Noise with Weighted Filter 4 Volts.(RMS) 24 Hrs.
12.	Polarity	Diaphragm shall move Forward when Apply a Positive DC.
		Current to the "+" or "Marked" Terminal.

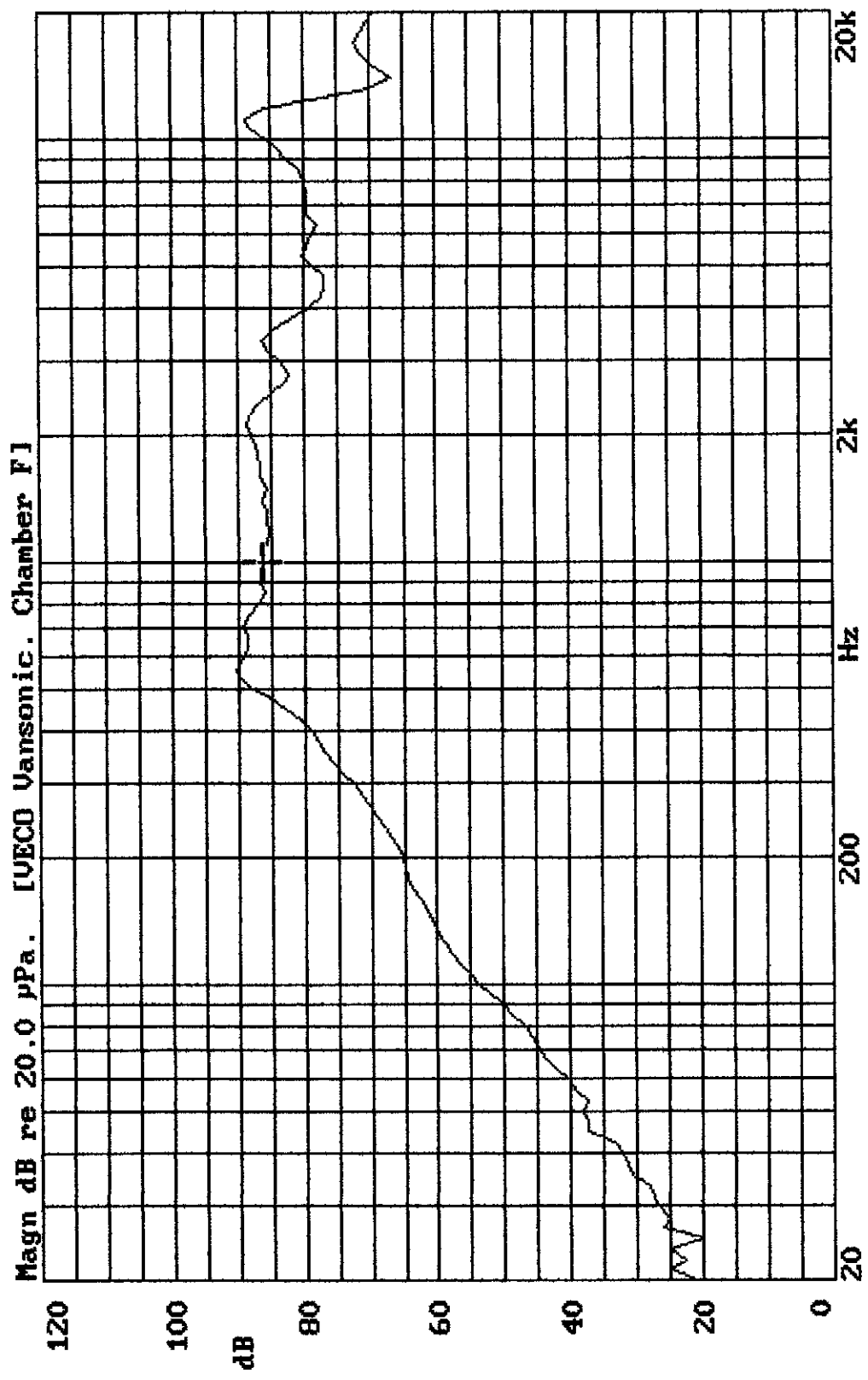
MOUNTING NOTICE



Unit : mm

Housing Material : PBT

P40KS08P-1 VOL:2V.83V(1W) DIS:0.5M VANSONIC
X:1.0000kHz *Y:86.35dB ZA:1.0000 SSR Fund.



20-AUG-2002 10:06:38

Mode: SSR