



A Tallysman Accutenna™ TW3600 Permanent Mount Iridium™ Antenna

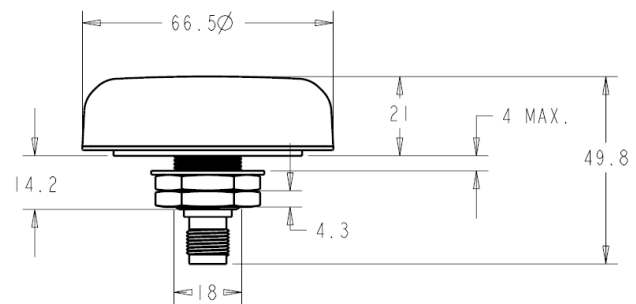
The TW3600 employs Tallysman's unique *Accutenna™* technology in a permanent mount, passive right hand circularly polarised antenna for the 1616 to 1626.5 MHz frequency band, specially designed to maximise the performance of Iridium™ voice and data modems.

The TW3600 features a high performance dual-feed patch element that provides great axial ratio (3dB max) over the entire Iridium™ frequency band, thus signals at the band edges remain truly circular, unlike the response of single feed antennas.

The TW3600 is housed in a permanent mount industrial-grade weather-proof enclosure and comes with a TNC Jack (female) connector, allowing for the Iridium™ modem to be mounted out of the elements and reach, and still providing excellent Iridium™ signal coverage.



TW3600 Dimensions (mm)



Applications

- Iridium™ Voice and Data Applications
- Sea & Land Container Tracking
- Military & Security
- Fleet Management & Asset Tracking
- Marine & Avionics Systems
- Law Enforcement & Public Safety

Features

- Custom high gain, 4.25 dBi dual-feed patch
- Great axial ratio, 3 dB over full bandwidth
- 15 KV ESD circuit protection
- IP67 weather proof housing
- Robust Industrial grade enclosure
- Surface, bracket or mast mount

Benefits

- Excellent circular polarized signal transmission
- Industrial temperature range
- Rugged Design
- Ideal for harsh environments
- RoHS compliant
- Remote antenna



TW3600 Permanent Mount Iridium™ Antenna

Specifications Vcc = 3V, over full bandwidth, T=25°C

Antenna

Architecture	Dual, quadrature feeds
Antenna Gain (100mm ground plane)	4.25 dBic
Axial Ratio (over full bandwidth)	≤3 dB
Radiated Bandwidth (-0.5 dB)	1605 MHz to 1635 MHz

Electrical

Architecture	Hybrid 90° phase signal splitter
Frequency Bandwidth	1616 to 1626.5 MHz
Polarization	RHCP
Gain flatness	≤0.5 dB, from 1616 to 1626.5 MHz
VSWR (at antenna)	<1.5:1
Return Loss (-10 dB bandwidth)	>20 MHz
ESD Circuit protection	15 KV air discharge

Mechanicals & Environmental

Mechanical Size	66.5 mm dia. x 21 mm H
Cable (Option)	Custom cable assembly available.
Operating Temp. Range	-40 to +85 °C
Enclosure	Radome: EXL9330, Base: Zamak White Metal
Weight	150 g
Attachment Method	Permanent 3/4" (19mm) through hole mount
Environmental	IP67 and RoHS compliant
Shock	Vertical axis: 50 G, other axes: 30 G
Vibration	3 axis, sweep = 15 min, 10 to 200 Hz sweep: 3 G
Warranty	One year, parts and labour

Ordering Information

Legacy Part Number:
TW3600 – Iridium™ antenna, TNC Female 32-3600-0

* As a result of a growing product portfolio, Tallysman has rationalized its part number system. No changes have been made to the mechanical or electrical properties of these products. Where administratively possible, please use the following Part Numbers.

TW3600 – Iridium™ antenna 33-3600-xx-yy-zzzz

Where xx = connector type, yy = shape and colour of radome and zzzz = cable length in mm (where applicable)

Please refer to the Ordering Guide (<http://www.tallysman.com/orderingguide.php>) for the current and complete list of available radomes and connectors.

Tallysman Wireless Inc

106 Schneider Road, Unit 3
Ottawa ON K2K 1Y2 Canada Tel 613 591 3131 Fax 613 591 3121
sales@tallysman.com

The information provided herein is intended as a guide only and is subject to change without notice. This document is not to be regarded as a guarantee of performance. Tallysman Wireless Inc. hereby disclaims any or all warranties and liabilities of any kind. © 2010 Tallysman Wireless Inc. All rights reserved. Rev 3.1