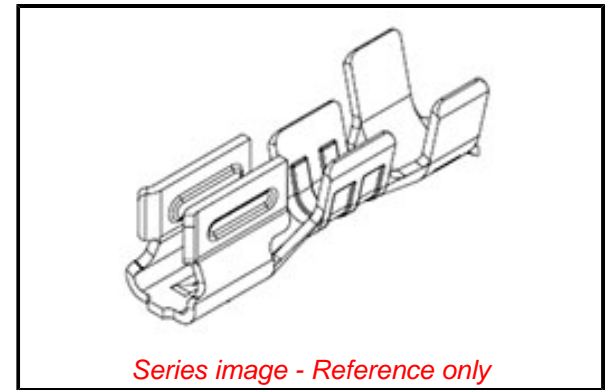


PLEASE CHECK WWW.MOLEX.COM FOR LATEST PART INFORMATION

Part Number: **0466261305**
Status: **Active**
Overview: L1NK Connector System
Description: L1NK 250 Female Crimp Terminal, 22-24 AWG, Tin (Sn) Plating, Reel

Documents:

Drawing (PDF)	Test Summary 2079020000-TS-000 (PDF)
Product Specification 2079020001-PS-000 (PDF)	Datasheet (PDF)
Application Specification 2079020001-AS-000 (PDF)	RoHS Certificate of Compliance (PDF)
Packaging Specification PK-46626-001-001 (PDF)	



General

Product Family	Crimp Terminals
Series	46626
Application	Power, Wire-to-Board
Crimp Quality Equipment	Yes
Datasheet Order No	987651-9951
Overview	<u>L1NK Connector System</u>
Product Name	L1NK 250
UPC	191130122134

Physical

Durability (mating cycles max)	25
Gender	Female
Material - Metal	Copper Alloy
Material - Plating Mating	Tin
Material - Plating Termination	Tin
Net Weight	0.051/g
Packaging Type	Reel
Termination Interface: Style	Crimp or Compression
Wire Insulation Diameter	1.42mm-1.60mm
Wire Size AWG	22, 24
Wire Size mm ²	0.20-0.33

Electrical

Current - Maximum per Contact	6.5A
Voltage - Maximum	250V AC (RMS)/DC

Material Info

Reference - Drawing Numbers

Application Specification	2079020001-AS-000
Packaging Specification	PK-46626-001-001
Product Specification	2079020001-PS-000
Sales Drawing	466260002-SD-000
Test Summary	2079020000-TS-000

EU ELV

Not Relevant

EU RoHS

Compliant

REACH SVHC

Not Contained Per -
ED/71/2019 (16 July
2019)

Halogen-Free

Status

Low-Halogen

For more information, please visit [Contact US](#)

China ROHS

ELV

RoHS Phthalates

China RoHS

Green Image

Not Relevant

Not Contained

Search Parts in this Series

46626 Series

Use With

L1NK 250 Receptacle Housing [207841](#)

Application Tooling | FAQ

Tooling specifications and manuals are found by selecting the products below. Crimp Height Specifications are then contained in the Application Tooling Specification document.

Global

Description

Product #

FineAdjust Applicator for L1NK 250 Female Crimp Terminal, 22-24 AWG, UL1007 Wire	639047600
--	-----------