

MOLEX PART NUMBER	COLOR	TYPE	ALLOWED WIRE DIAMETER	WEIGHT (g)	ØA	ØB
0643251366	BLUE	2	3.40/4.20	0.137	2.55/2.70	2.80/2.95
0643251358	GREY	2	2.65/3.50	0.158	2.00/2.15	2.20/2.35
0643251345	GREEN	1	2.00/2.80	0.168	1.40/1.70	2.25/2.55
0643251332	RED	3	1.30/2.15	0.190	0.70/1.00	-

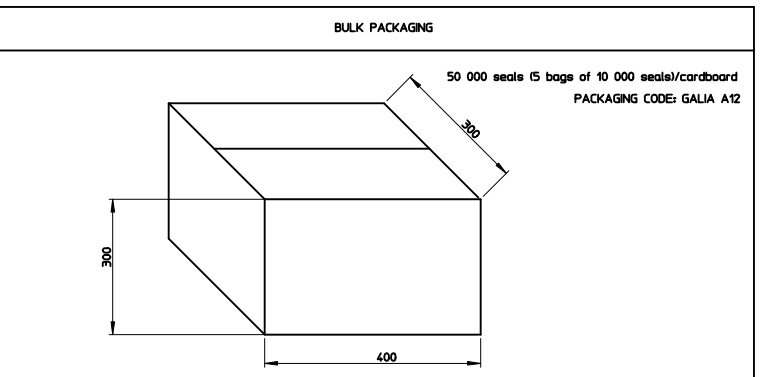
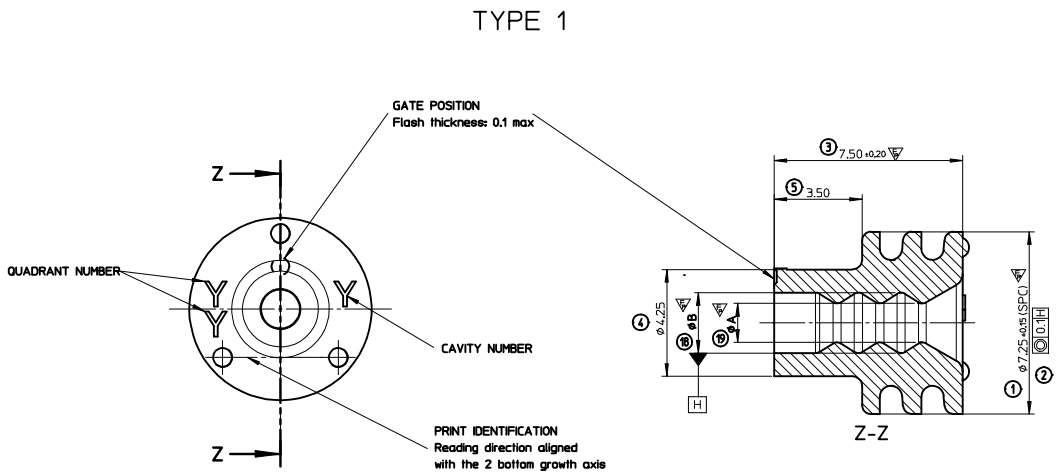
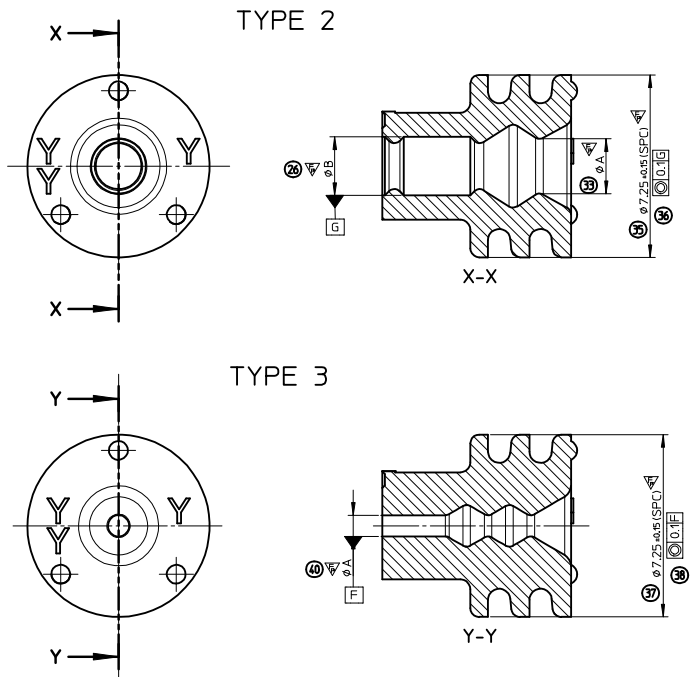
(SPC): DENOTE SPC DIMENSION (3)

QUALITY SYMBOL COUNT	
PERFORMANCE	▽ = 10
ASSEMBLY	▽ = 0
CUSTOMER	▽ = 0

▽ MATERIAL SPECIFICATION : Silicon elastomer type LSR
 self bleeding (2% approx)

Flash max 0.1. No cut, no short shots.
 no tear, no distortion on seal lips allowed.

UPDATE TYPE 2 EEC NO: G2013-0087 DRYNADVERHERE 2012/09/27 CHYKO-DUCLOS 2012/09/28 APPROUPLLESSIS 2012/10/26 REV DESCRIPTION	GENERAL TOLERANCES (UNLESS SPECIFIED) mm INCH		DIMENSION STYLE MM ONLY		SCALE 10:1	DESIGN UNITS METRIC	FIRST ANGLE PROJECTION
	4 PLACES ± --- ± ---		DRAWN BY	DATE	TITLE		
	3 PLACES ± --- ± ---		JDUCLIOS	2010/04/07	SGL WIRE SEALS 2.8 W/O RIB		
	2 PLACES ± 0.1 ± ---		CHECKED BY	DATE			
1 PLACE ± 0.1 ± ---		CBOUCHAN	2010/04/07				
0 PLACE ± 0.1 ± ---		APPROVED BY	DATE				
		BMOSE	2010/05/04				
ANGULAR ±1/2° DRAFT WHERE APPLICABLE MUST REMAIN WITHIN DIMENSIONS		SEE CHART		MATERIAL NO. SD-64325-006		SHEET NO. 1 OF 1	
THIS DRAWING CONTAINS INFORMATION THAT IS PROPRIETARY TO MOLEX INCORPORATED AND SHOULD NOT BE USED WITHOUT WRITTEN PERMISSION							



MOLEX PART NUMBER	COLOR	TYPE	ALLOWED WIRE DIAMETER	WEIGHT (g)	ØA	ØB
0643251366	BLUE	2	3.40/4.20	0.137	2.55/2.70	2.80/2.95
0643251358	GREY	2	2.65/3.50	0.158	2.00/2.15	2.20/2.35
0643251345	GREEN	1	2.00/2.80	0.168	1.40/1.70	2.25/2.55
0643251332	RED	3	1.30/2.15	0.190	0.70/1.00	-

ISPC: DENOTE SPC DIMENSION (3)

QUALITY SYMBOL COUNT	
PERFORMANCE	▽ - 10
ASSEMBLY	▽ - 0
CUSTOMER	▽ - 0

MATERIAL SPECIFICATION : Silicon elastomer type LSR self bleeding (2% approx)

Flash max 0.1. No cut, no short shots. no tear, no distortion on seal lips allowed.

UPDATE TYPE 2	REV	DESCRIPTION	GENERAL TOLERANCES (UNLESS SPECIFIED)		DIMENSION STYLE		SCALE	DESIGN UNITS	FIRST ANGLE PROJECTION	
			mm	INCH	MM ONLY	INCH				
1			4 PLACES	± 0.1	± 0.004	MM ONLY	10:1	METRIC	☐	
2			3 PLACES	± 0.1	± 0.004	MM ONLY	10:1	METRIC	☐	
3			2 PLACES	± 0.1	± 0.004	MM ONLY	10:1	METRIC	☐	
4			1 PLACE	± 0.1	± 0.004	MM ONLY	10:1	METRIC	☐	
5			0 PLACE	± 0.1	± 0.004	MM ONLY	10:1	METRIC	☐	
DRAWN BY: JDUCLIOS			DATE: 2010/04/07		CHECKED BY: CBOUCHAN		DATE: 2010/04/07		APPROVED BY: BMOSE	
DATE: 2012/09/27			DATE: 2012/09/28		DATE: 2012/10/26		DATE: 2010/05/04		DATE: 2010/05/04	
MATERIAL NO.			SEE CHART		DOCUMENT NO.		SD-64325-006		SHEET NO. 1 OF 1	
DRAFT WHERE APPLICABLE MUST REMAIN WITHIN DIMENSIONS										
THIS DRAWING CONTAINS INFORMATION THAT IS PROPRIETARY TO MOLEX INCORPORATED AND SHOULD NOT BE USED WITHOUT WRITTEN PERMISSION										