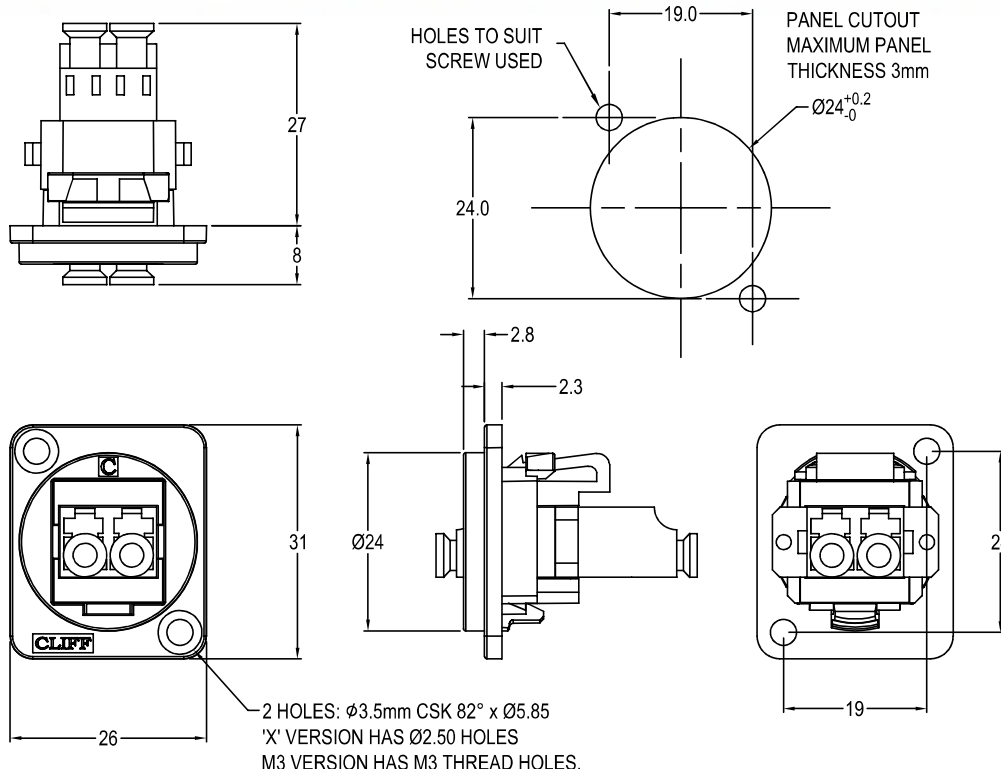




LC DUPLEX MM FEEDTHROUGH CONNECTOR



Feedthrough Features

- Fits standard XLR Ø24mm cutout.
- No soldering or punch termination. Use standard cable for each connector style.
- Front or rear mounted.
- Low rear profile

General:

Please note: Functionality is affected by cable quality, length and cable wiring configuration.

VARIANTS

Part No.

- | | |
|-------------------|---|
| CP30214 | LC Duplex MM Black plastic frame, CSK holes |
| CP30214M | LC Duplex MM Nickel plated metal frame, CSK holes |
| CP30214M3 | LC Duplex MM Nickel plated metal frame, M3 holes |
| CP30214MB | LC Duplex MM Black metal frame, CSK holes |
| CP30214M3B | LC Duplex MM Black metal frame, M3 holes |
| CP30214X | LC Duplex MM Black plastic frame, PLAIN holes |

Material:

1. Coupler Body: PEI
2. Plastic Frame: Polyamide UL94 V-2
3. Metal Frame: Diecast, Black or Nickel plated
4. Sleeve: Ceramic
5. Dust Cover: PE
6. Insert: ABS/PC

Notes:

1. Insertion Loss: ≤0.3dB