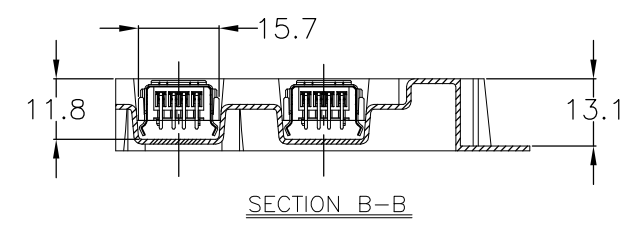
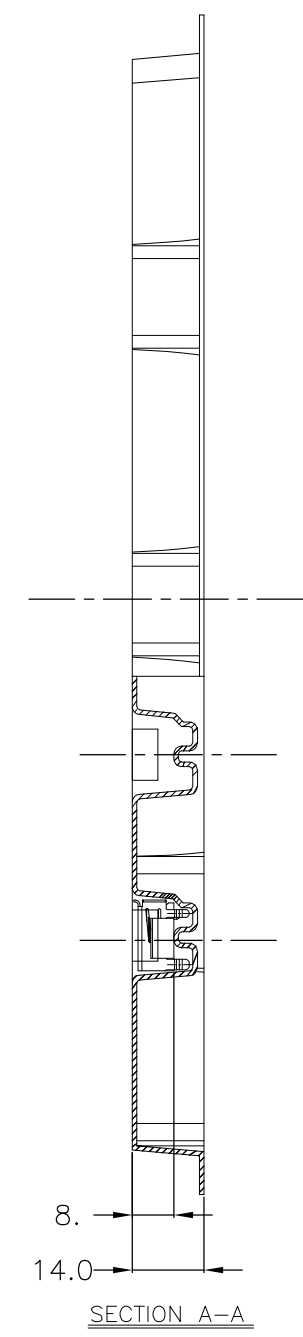
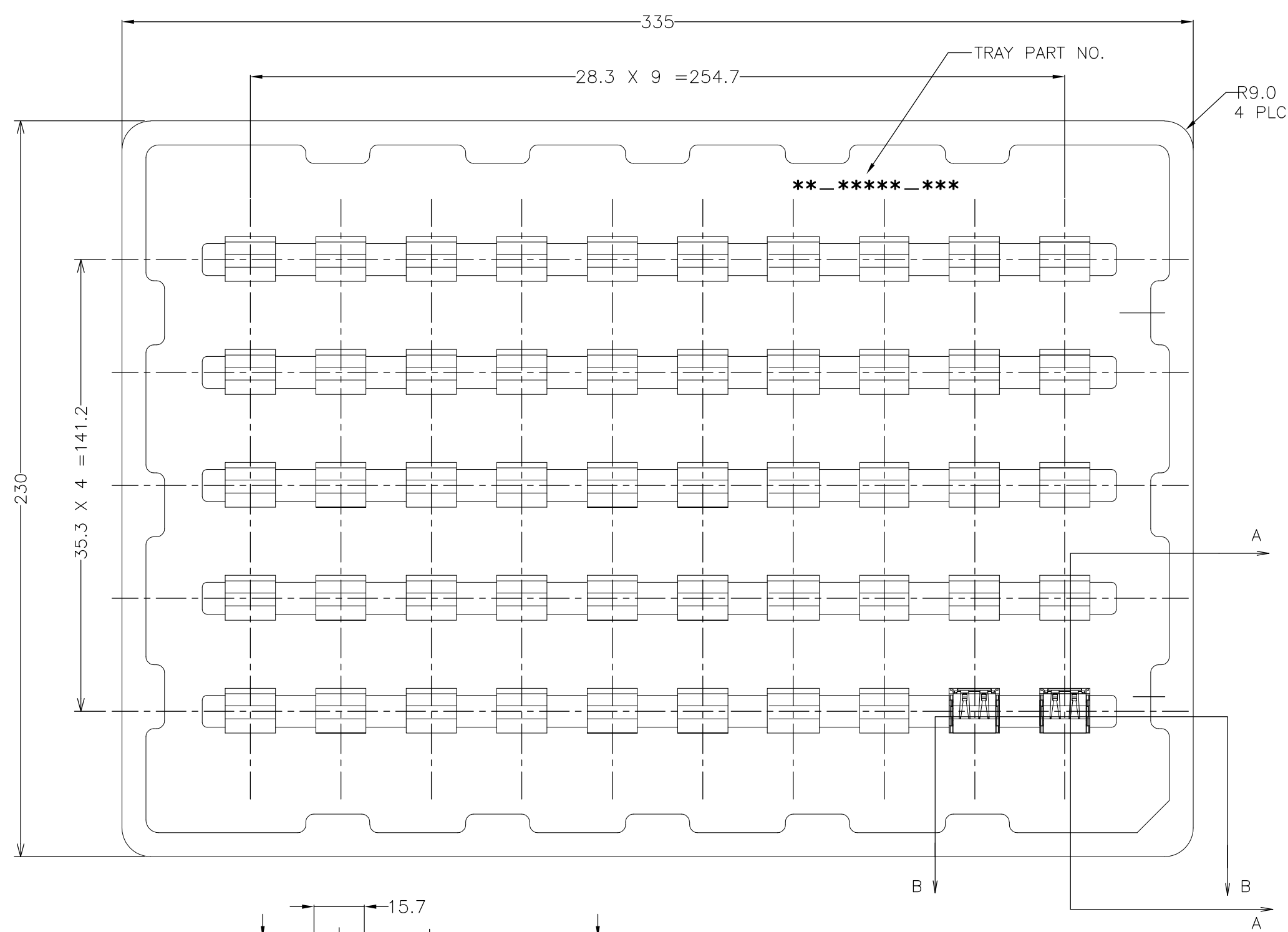


THIS DRAWING IS UNPUBLISHED. RELEASED FOR PUBLICATION
 © COPYRIGHT BY TYCO ELECTRONICS CORPORATION. ALL RIGHTS RESERVED.

LOC ES	DIST -	REVISIONS			
P	LTR	DESCRIPTION	DATE	DWN	APVD
	B1	REVISED PER ECR-19-001024	29JAN19	T.Z	S.L



PART NUMBER	STATUS
1674459-4	PRELIMINARY

THIS DRAWING IS A CONTROLLED DOCUMENT.

DWN AMOS ZHU 28NOV08	Tyco Electronics Corporation Shanghai, P.R.China, 200233
CHK MARTIN LI 28NOV08	
APVD STEVEN YAO 28NOV08	
NAME	
PRODUCT SPEC 108-60053	TRAY REC. ASS'Y R/A DIP HIGH DURABILITY TYPE USB CONNECTOR
APPLICATION SPEC	
WEIGHT -	SIZE A3
CUSTOMER DRAWING	CAGE CODE 00779
	DRAWING NO C-1674459
	RESTRICTED TO
	SCALE 1:1
	SHEET 1 OF 3
	REV B1

DIMENSIONS: mm

TOLERANCES UNLESS OTHERWISE SPECIFIED:

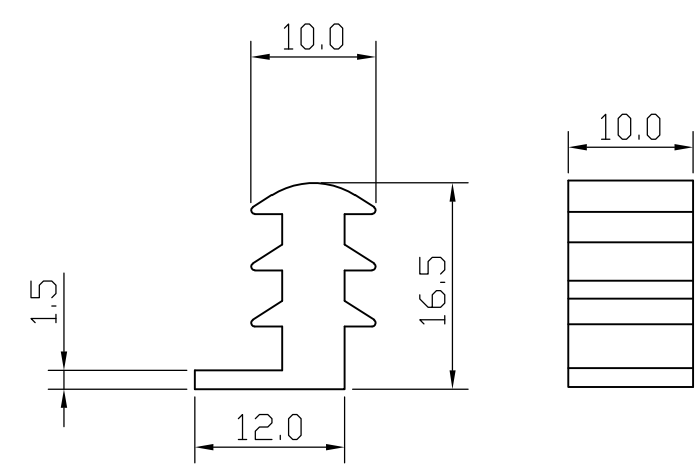
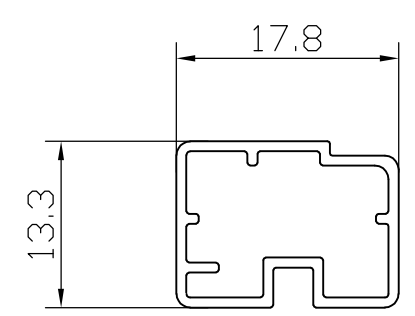
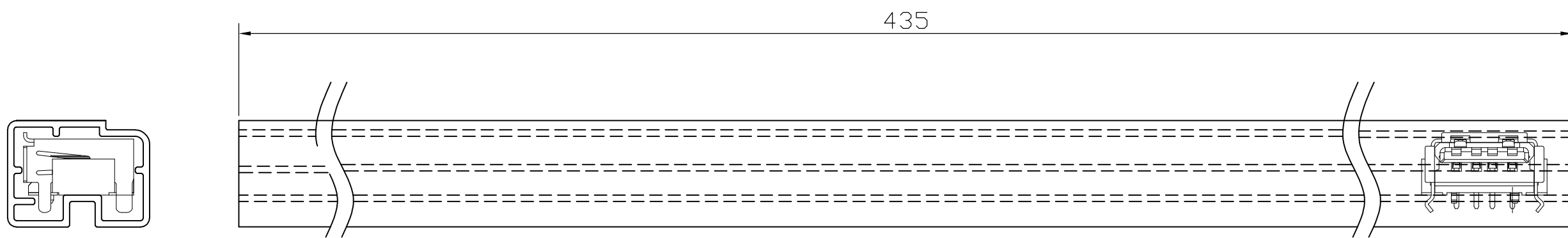
0 PLC	± 0.30
1 PLC	± 0.30
2 PLC	± -
3 PLC	± -
4 PLC	± -
ANGLES	± 2'

MATERIAL

FINISH

THIS DRAWING IS UNPUBLISHED. RELEASED FOR PUBLICATION
 © COPYRIGHT - BY TYCO ELECTRONICS CORPORATION. ALL RIGHTS RESERVED.

LOC	DIST	REVISIONS			
P	LTR	DESCRIPTION	DATE	DWN	APVD
ES	-	SEE SHEET 1	-	-	-

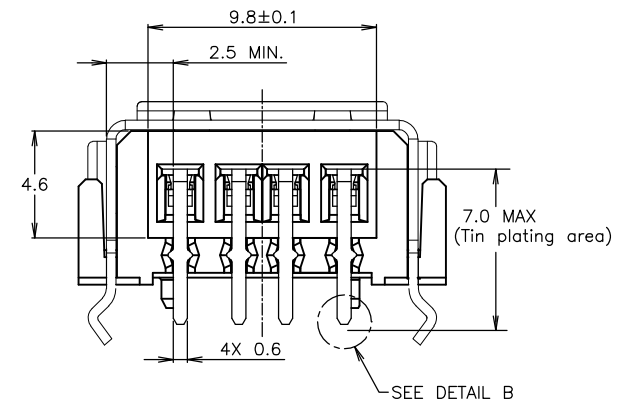
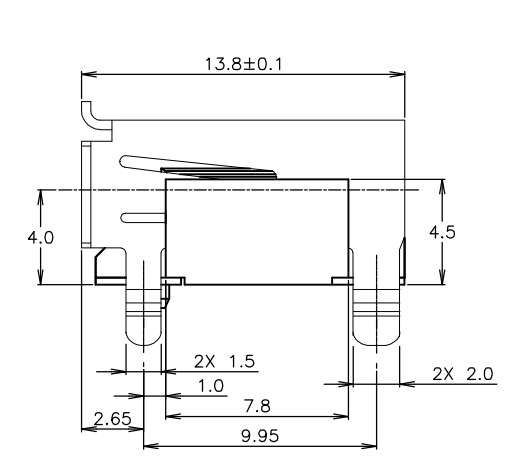
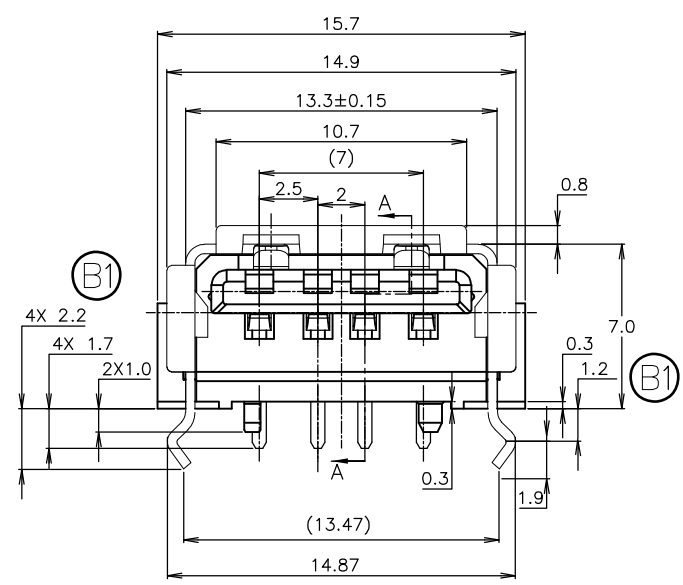
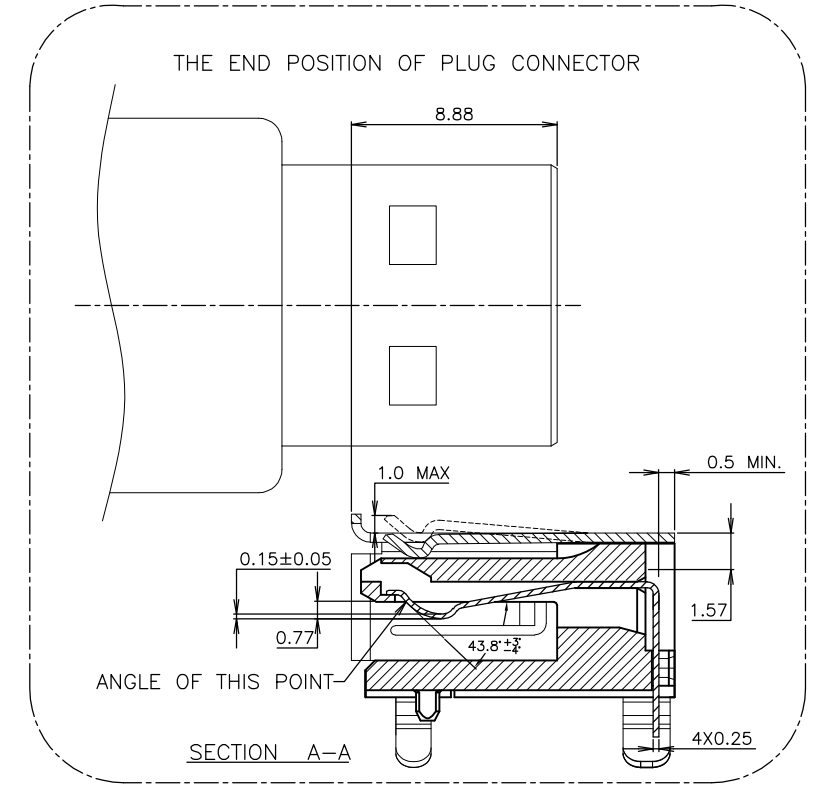
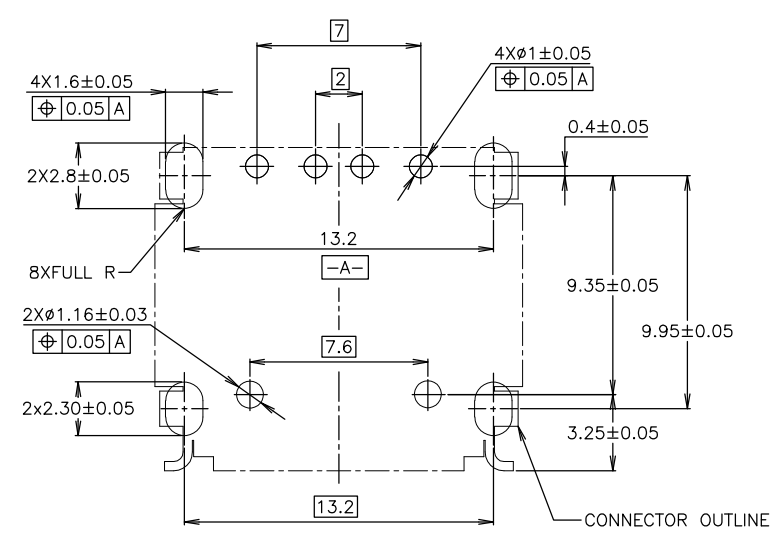
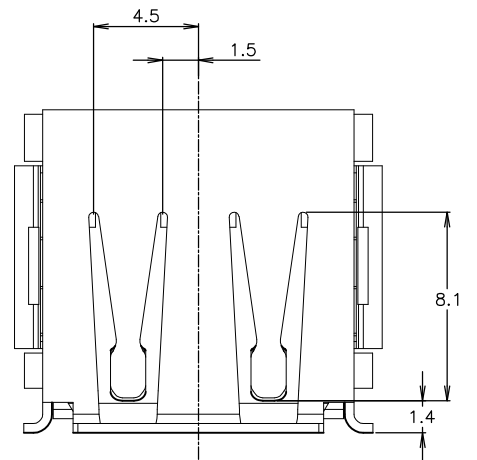


PART NUMBER	STATUS
2-1674459-4	PRELIMINARY

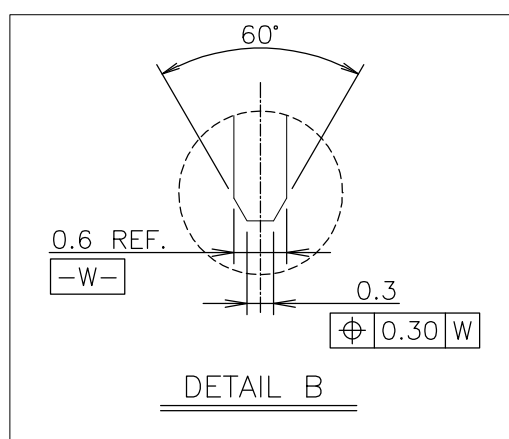
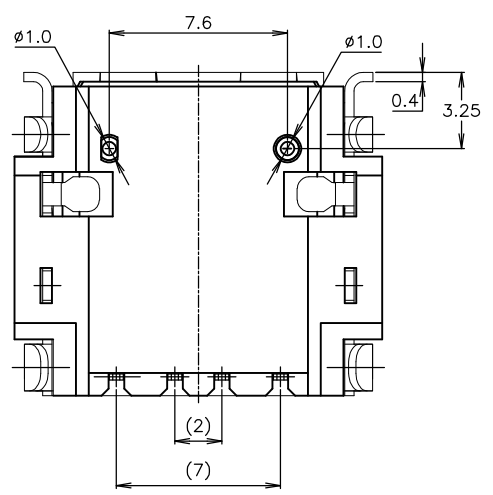
THIS DRAWING IS A CONTROLLED DOCUMENT.		DWN AMOS ZHU 28NOV08	Tyco Electronics Corporation Shanghai, P.R.China, 200233	
DIMENSIONS: mm		CHK MARTIN LI 28NOV08	NAME	
TOLERANCES UNLESS OTHERWISE SPECIFIED:		APVD STEVEN YAO 28NOV08	TRAY REC. ASS'Y R/A DIP HIGH DURABILITY TYPE USB CONNECTOR	
0 PLC ± 1.0 1 PLC ± 1.0 2 PLC ± - 3 PLC ± - 4 PLC ± - ANGLES ± 2°		PRODUCT SPEC -	SIZE A3	CAGE CODE 00779
MATERIAL		APPLICATION SPEC -	DRAWING NO C-1674459	RESTRICTED TO
FINISH		WEIGHT -	SCALE 1:1 SHEET 2 OF 3 REV B1	
CUSTOMER DRAWING				

THIS DRAWING IS UNPUBLISHED. RELEASED FOR PUBLICATION
 © COPYRIGHT BY TYCO ELECTRONICS CORPORATION. ALL RIGHTS RESERVED.

LOC	DIST	REVISIONS					
ES	—	P	LTR	DESCRIPTION	DATE	DWN	APVD
		—		SEE SHEET 1	—	—	—



NOTES
 ① MATERIAL & FINISH
 CONTACT: COPPER ALLOY
 Au PL. AT CONTACT AREA OVER Ni PL.
 TIN PL. AT TINE AREA OVER Ni PL.
 HOUSING: LCP, UL94V-0.
 COLOR: NATURAL
 ② SHELL: STAINLESS STEEL, TIN PL
 2. RECOMMENDED P.C.B THICKNESS 1.00±0.05 mm.



THIS DRAWING IS A CONTROLLED DOCUMENT.

DIMENSIONS:	TOLERANCES UNLESS OTHERWISE SPECIFIED:
mm	
0 PLC	± 0.30
1 PLC	± 0.30
2 PLC	± -
3 PLC	± -
4 PLC	± -
ANGLES	± 2°
MATERIAL	FINISH

DWN	AMOS ZHU	28NOV08
CHK	MARTIN LI	28NOV08
APVD	STEVEN YAO	28NOV08
PRODUCT SPEC	108-60053	
APPLICATION SPEC	-	
WEIGHT	-	
CUSTOMER DRAWING		

Tyco Electronics		Tyco Electronics Corporation	
		Shanghai, P.R.China, 200233	
NAME		TRAY REC. ASS'Y R/A DIP	
		HIGH DURABILITY TYPE USB CONNECTOR	
SIZE	CAGE CODE	DRAWING NO	RESTRICTED TO
A3	00779	C-1674459	
SCALE		SHEET	REV
1:1		3 OF 3	B1