

2N6550 N-Channel JFET

Features

- InterFET [N0450L Geometry](#)
- Low Noise: 0.9 nV/√Hz Typical
- High Gain: 25mS Minimum
- RoHS Compliant
- SMT, TH, and Bare Die Package options.

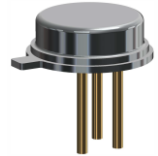
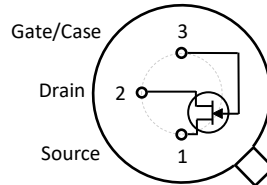
Applications

- Low-Noise, High Gain Amplifiers

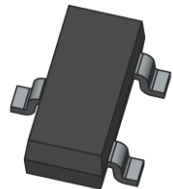
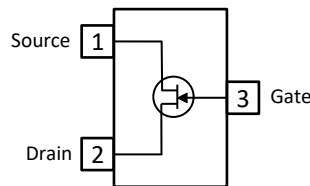
Description

The -20V InterFET 2N6550 is targeted for sensitive amplifier stages for mid-frequencies designs. The 2N6550 has a cutoff voltage of less than 3.0V ideal for low-level power supplies. The TO-46 package is hermetically sealed and suitable for military applications.

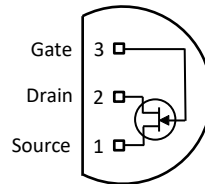
TO-46 Bottom View



SOT23 Top View



TO-92 Bottom View



Product Summary

Parameters		2N6550 Min	Unit
BV_{GSS}	Gate to Source Breakdown Voltage	-20	V
I_{DSS}	Drain to Source Saturation Current	10	mA
$V_{GS(off)}$	Gate to Source Cutoff Voltage	-0.3	V
G_{FS}	Forward Transconductance	25	mS

Ordering Information Custom Part and Binning Options Available

Part Number	Description	Case	Packaging
2N6550	Through-Hole	TO-46	Bulk
PN6550	Through-Hole	TO-92	Bulk
SMP6550	Surface Mount	SOT23	Bulk
SMP6550TR	7" Tape and Reel: Max 3,000 Pieces 13" Tape and Reel: Max 9,000 Pieces	SOT23	Minimum 1,000 Pieces Tape and Reel
2N6550COT	Chip Orientated Tray (COT Waffle Pack)	COT	400/Waffle Pack
2N6550CFT	Chip Face-up Tray (CFT Waffle Pack)	CFT	400/Waffle Pack



Disclaimer: It is the Buyers responsibility for designing, validating and testing the end application under all field use cases and extreme use conditions. Guaranteeing the application meets required standards, regulatory compliance, and all safety and security requirements is the responsibility of the Buyer. These resources are subject to change without notice.

Electrical Characteristics

Maximum Ratings (@ $T_A = 25^\circ\text{C}$, Unless otherwise specified)

Parameters	Value	Unit
V_{RGS} Reverse Gate Source and Gate Drain Voltage	-20	V
I_{FG} Continuous Forward Gate Current	50	mA
P_D Continuous Device Power Dissipation	400	mW
P Power Derating	2.3	mW/ $^\circ\text{C}$
T_J Operating Junction Temperature	-55 to 125	$^\circ\text{C}$
T_{STG} Storage Temperature	-65 to 200	$^\circ\text{C}$

Static Characteristics (@ $T_A = 25^\circ\text{C}$, Unless otherwise specified)

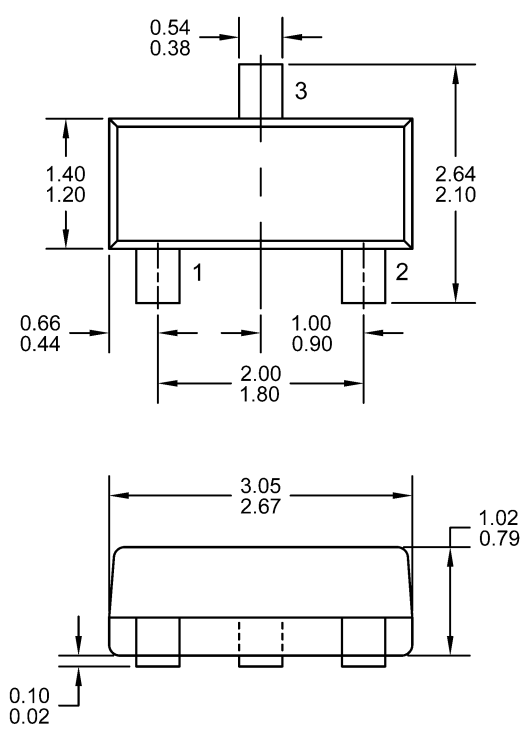
Parameters	Conditions	2N6550			Unit
		Min	Typ	Max	
$V_{(BR)GSS}$ Gate to Source Breakdown Voltage	$V_{DS} = 0V, I_G = 10\mu\text{A}$	-20			V
I_{GSS} Gate to Source Reverse Current	$V_{GS} = -10V, V_{DS} = 0V, T_A = 25^\circ\text{C}$			-3	nA
	$V_{GS} = -10V, V_{DS} = 0V, T_A = 85^\circ\text{C}$			-0.1	μA
$V_{GS(OFF)}$ Gate to Source Cutoff Voltage	$V_{DS} = 10V, I_D = 0.1\text{mA}$	-0.3		-3	V
I_{DSS} Drain to Source Saturation Current	$V_{GS} = 0V, V_{DS} = 10V$ (Pulsed)	10	100	250	mA

Dynamic Characteristics (@ $T_A = 25^\circ\text{C}$, Unless otherwise specified)

Parameters	Conditions	2N6550			Unit
		Min	Typ	Max	
G_{FS} Forward Transconductance	$V_{DS} = 10V, I_D = 10\text{mA}, f = 1\text{kHz}$	25		150	mS
G_{OS} Output Conductance	$V_{DS} = 10V, I_D = 10\text{mA}, f = 1\text{kHz}$			150	μS
C_{iss} Input Capacitance	$V_{DS} = 10V, I_D = 10\text{mA}, f = 140\text{kHz}$		30	35	pF
C_{rss} Reverse Transfer Capacitance	$V_{DS} = 10V, f = 140\text{kHz}$		10	20	pF
e_n Equivalent Input Noise Voltage	$V_{DS} = 5V, I_D = 10\text{mA}, f = 10\text{Hz}$		1.4	2	nV/ $\sqrt{\text{Hz}}$
	$V_{DS} = 5V, I_D = 10\text{mA}, f = 1\text{kHz}$		6	10	
$e_{n\text{ Total}}$ Equivalent Total Input Noise Voltage	$V_{DS} = 5V, I_D = 10\text{mA}, f = 10\text{kHz to } 20\text{kHz}$		0.4	0.6	μVrms
i_n Equivalent Input Noise Current	$R_S < 100\text{ k}\Omega, f = 1\text{kHz}$		0.1		pA/ $\sqrt{\text{Hz}}$

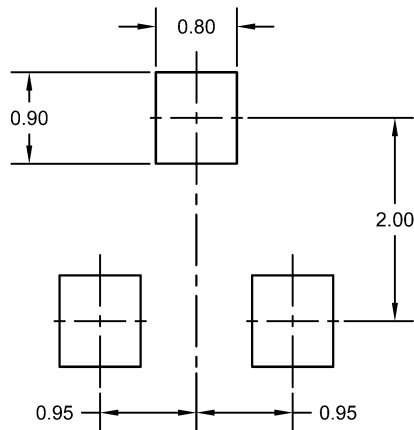
SOT23 (TO-236AB) Mechanical and Layout Data

Package Outline Data



1. All linear dimensions are in millimeters.
2. Package weight approximately 0.12 grams
3. Molded plastic case UL 94V-0 rated
4. For Tape and Reel specifications refer to InterFET CTC-021 Tape and Reel Specification, Document number: IF39002
5. Bulk product is shipped in standard ESD shipping material
6. Refer to JEDEC standards for additional information.

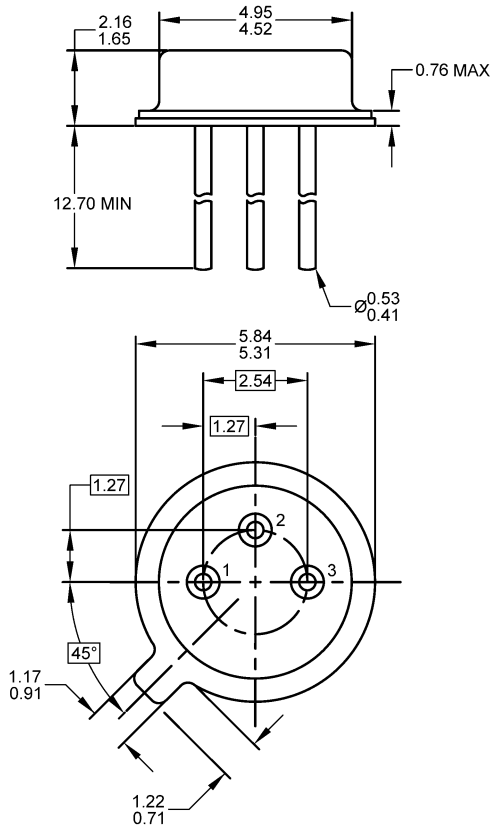
Suggested Pad Layout



1. All linear dimensions are in millimeters.
2. The suggested land pattern dimensions have been provided for reference only. A more robust pattern may be desired for wave soldering.

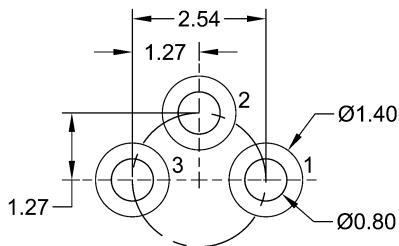
TO-46 Mechanical and Layout Data

Package Outline Data



1. All linear dimensions are in millimeters.
2. Package weight approximately 0.23 grams
3. Bulk product is shipped in standard ESD shipping material
4. Refer to JEDEC standards for additional information.

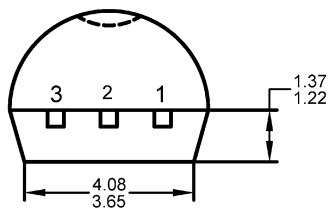
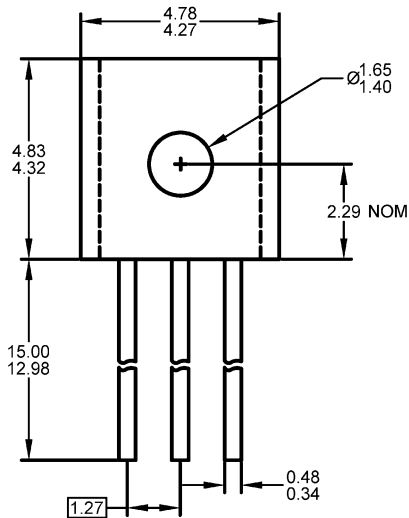
Suggested Through-Hole Layout



1. All linear dimensions are in millimeters.
2. The suggested land pattern dimensions have been provided as a straight lead reference only. A more robust pattern may be desired for wave soldering and/or bent lead configurations.

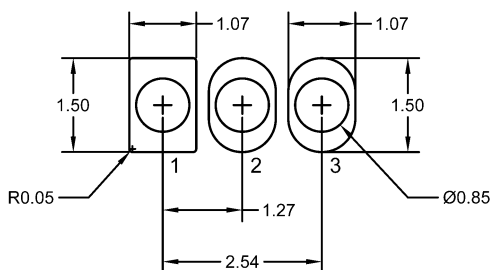
TO-92 Mechanical and Layout Data

Package Outline Data



1. All linear dimensions are in millimeters.
2. Package weight approximately 0.19 grams
3. Molded plastic case UL 94V-0 rated
4. Bulk product is shipped in standard ESD shipping material
5. Refer to JEDEC standards for additional information.

Suggested Through-Hole Layout



1. All linear dimensions are in millimeters.
2. The suggested land pattern dimensions have been provided as a straight lead reference only. A more robust pattern may be desired for wave soldering and/or bent lead configurations.

Mouser Electronics

Authorized Distributor

Click to View Pricing, Inventory, Delivery & Lifecycle Information:

[InterFET:](#)

[2N6550](#) [SMP6550](#)