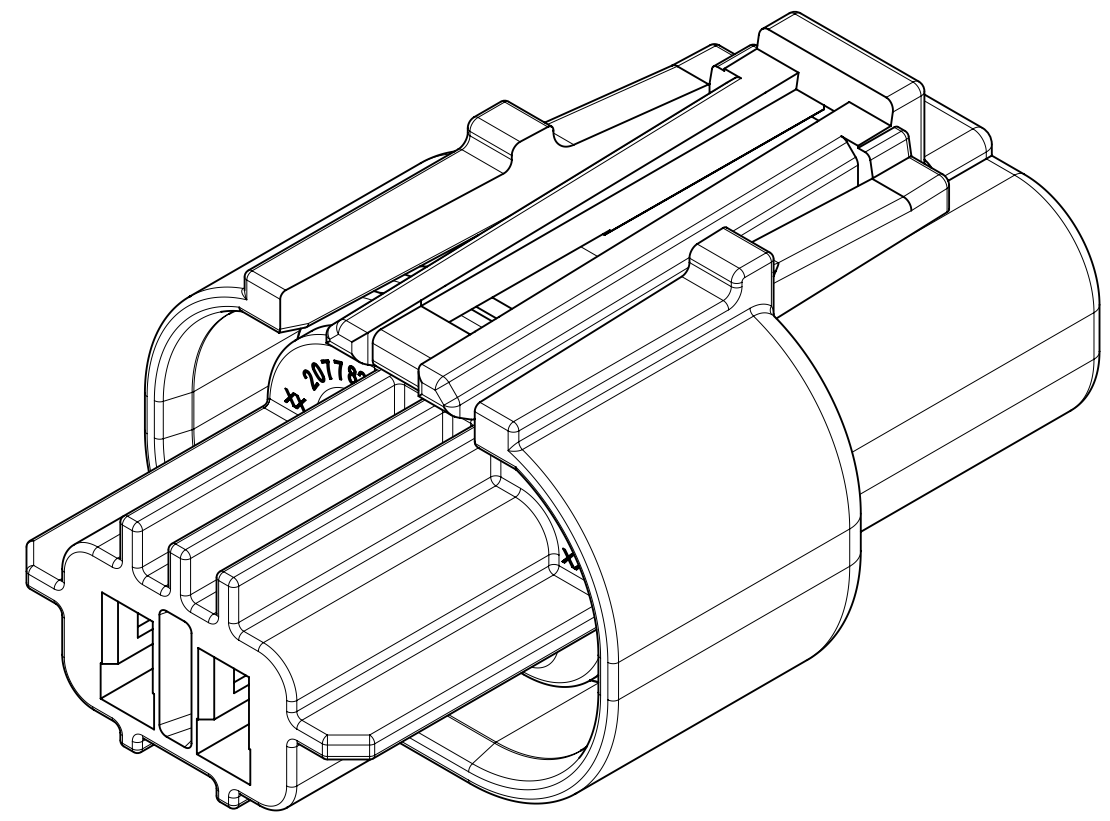
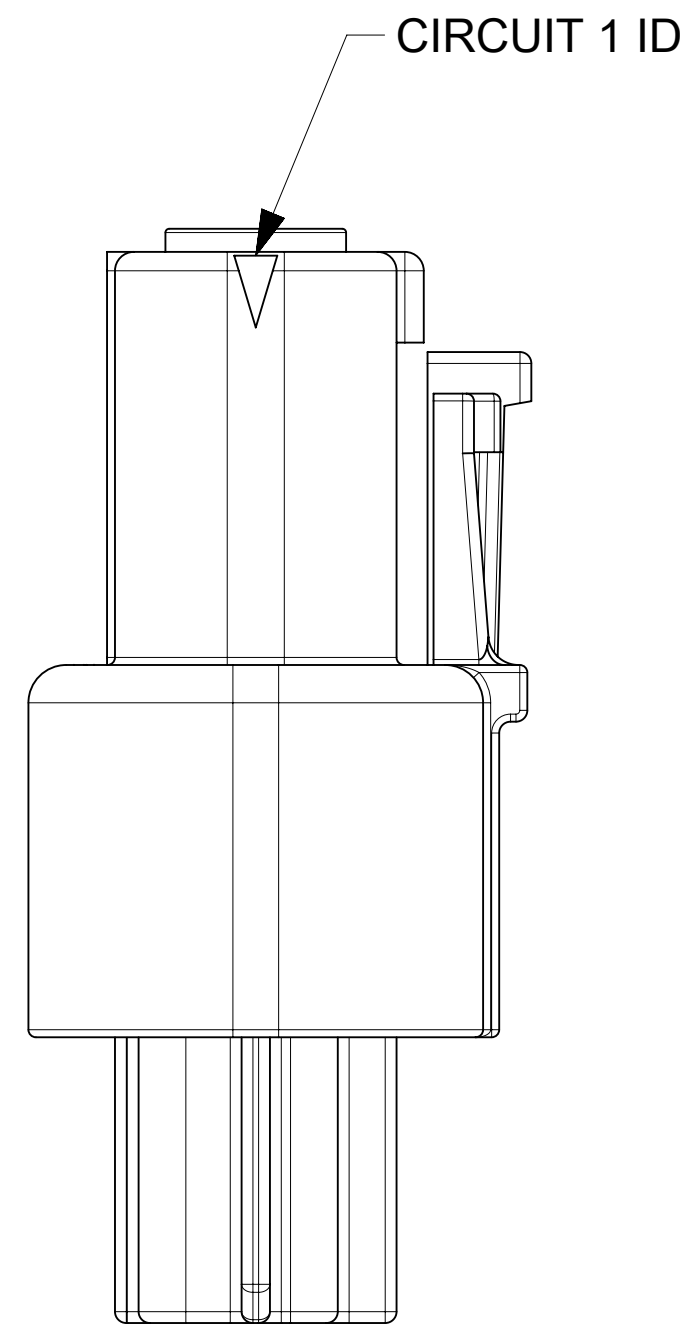


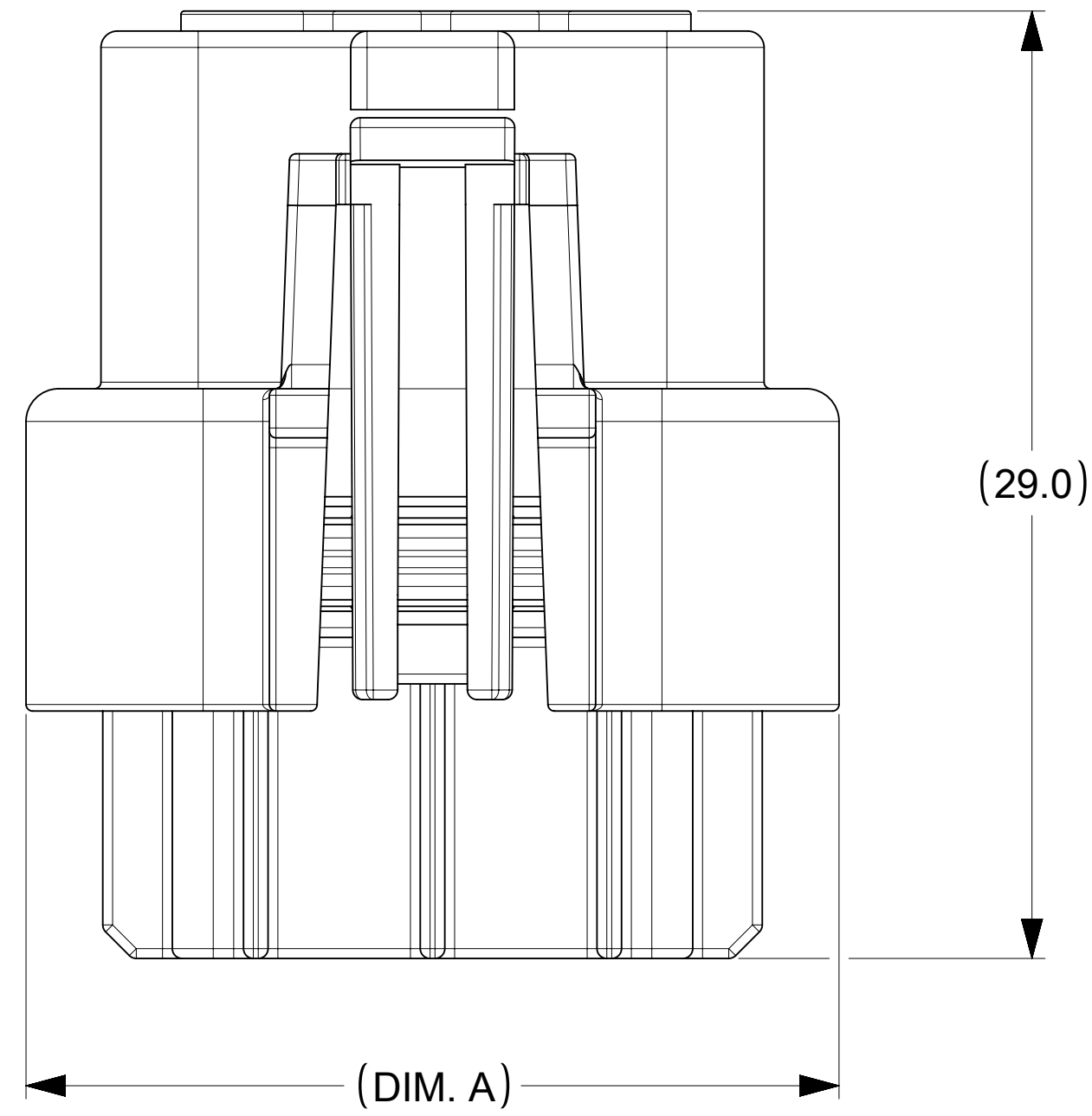
**CIRCUIT SIZES**



2 CKT

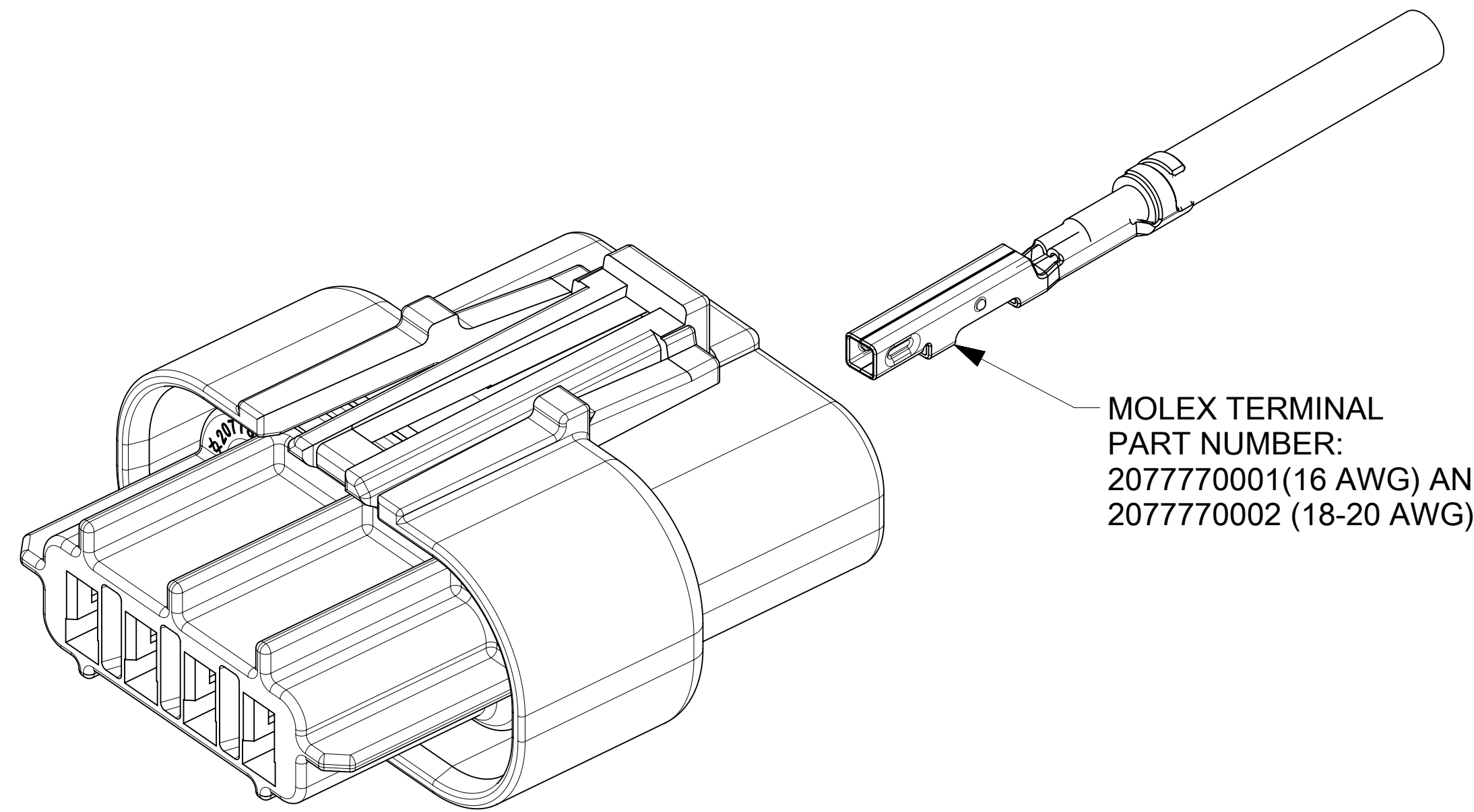


CIRCUIT 1 ID

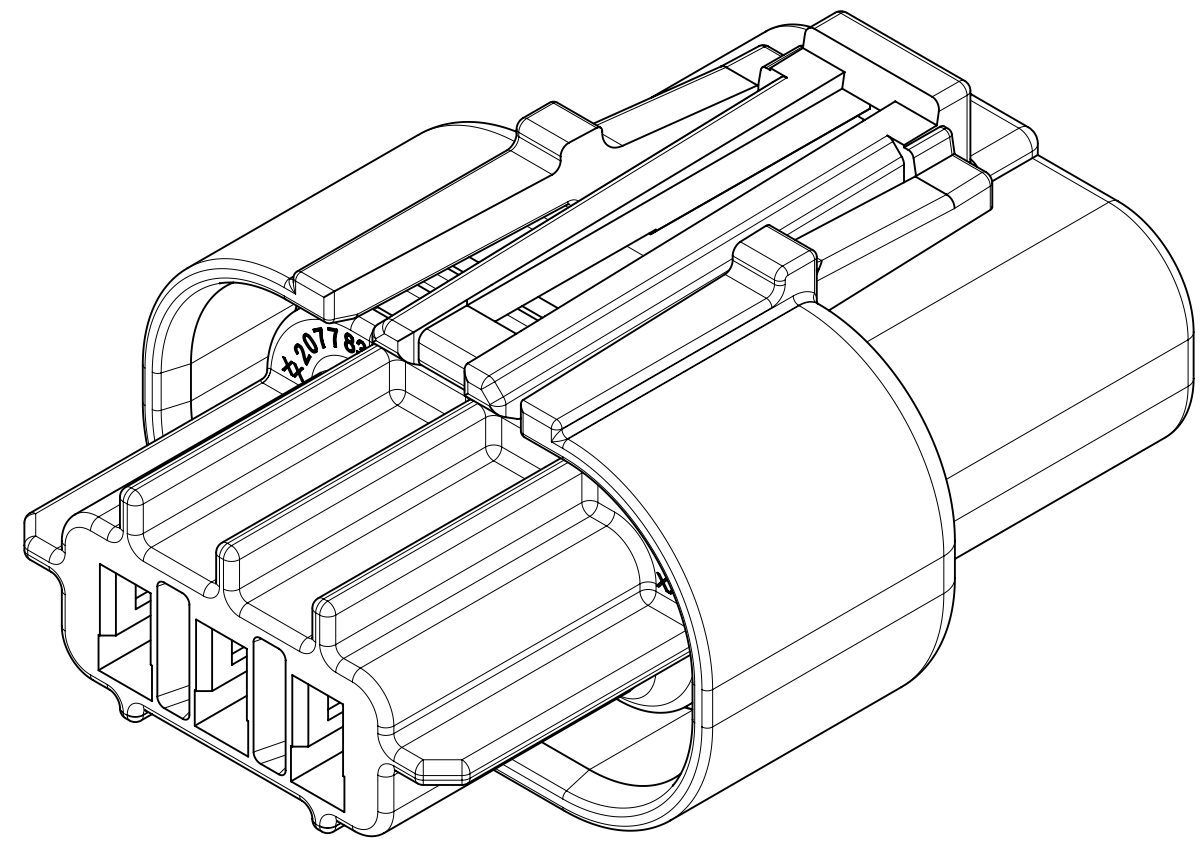


(DIM. A)

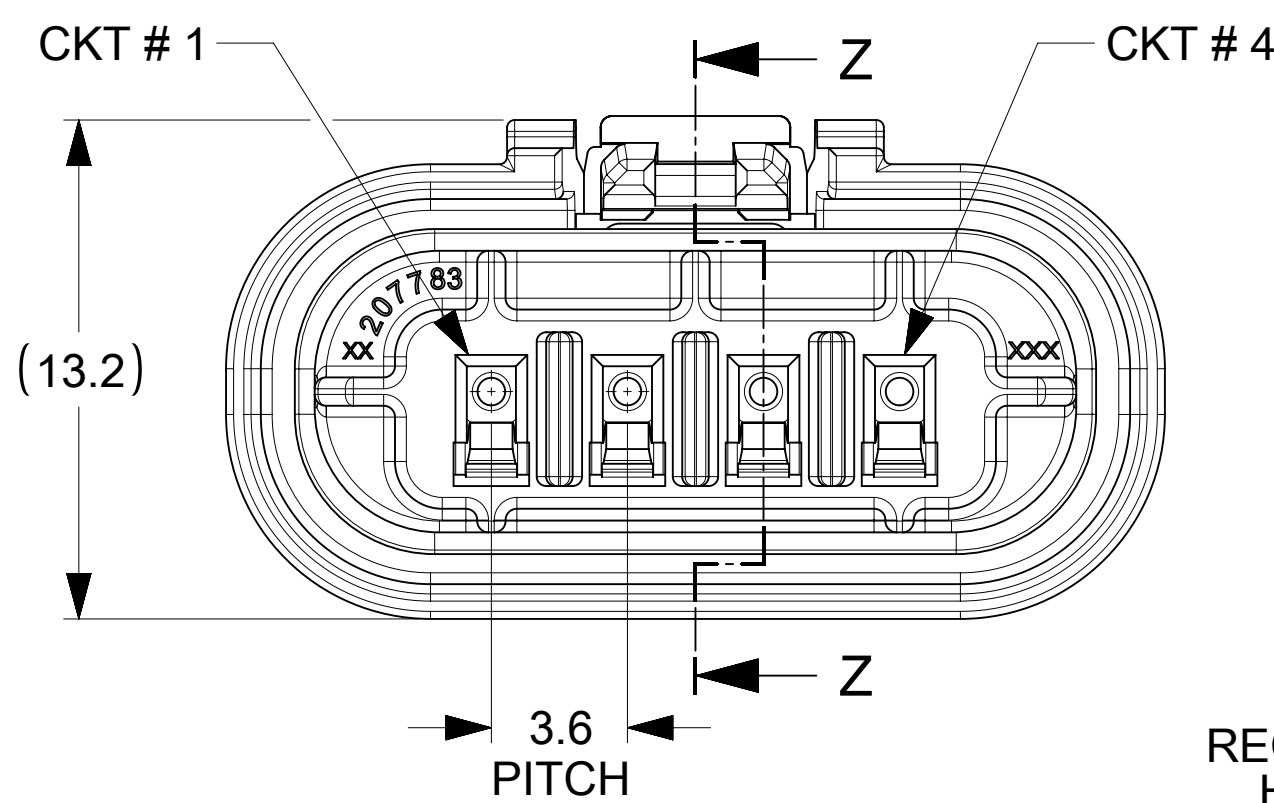
(29.0)



MOLEX TERMINAL  
PART NUMBER:  
207770001(16 AWG) AND  
207770002 (18-20 AWG)



3 CKT



(13.2)

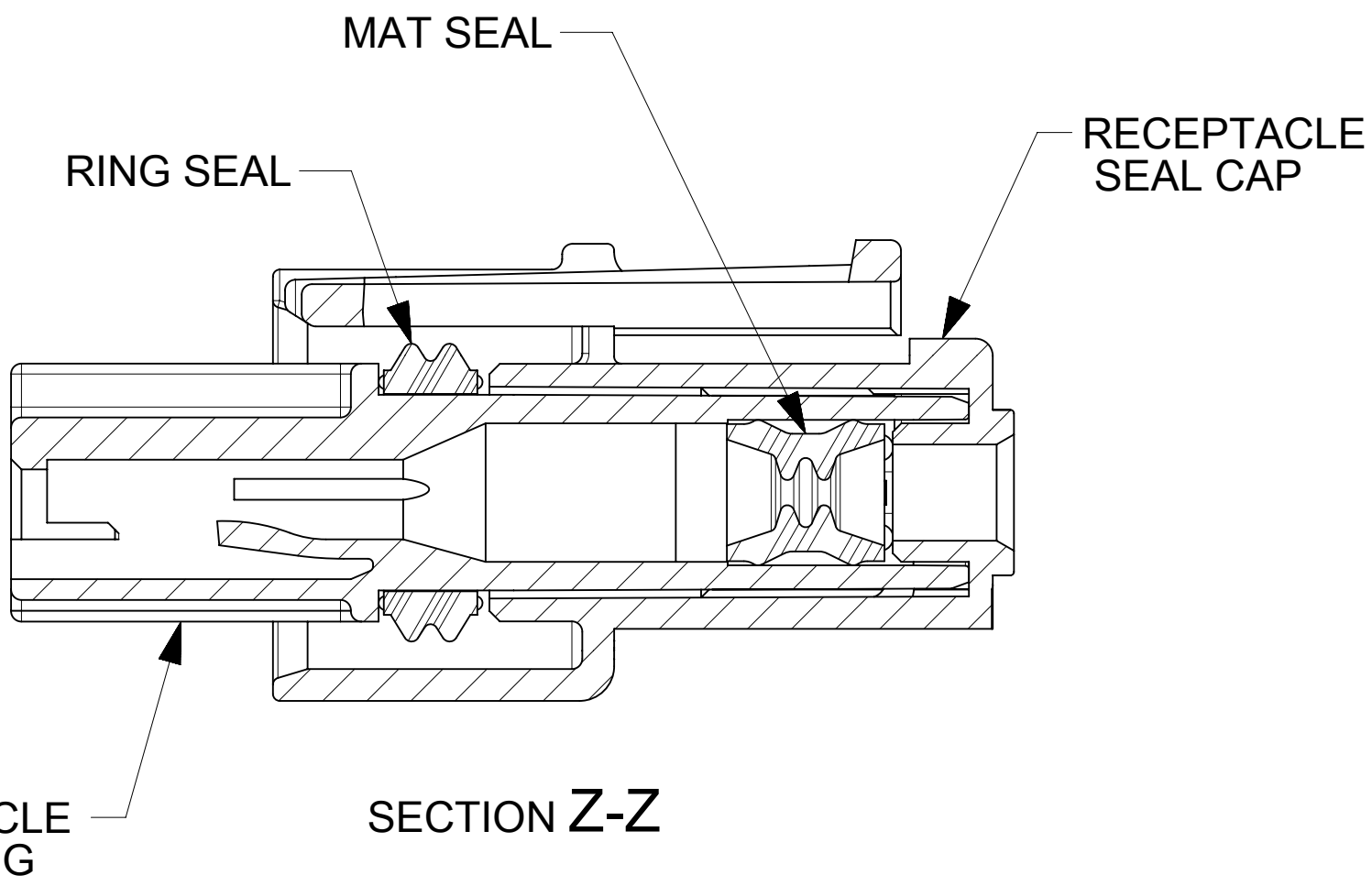
3.6  
PITCH

CKT # 1

CKT # 4

Z

Z



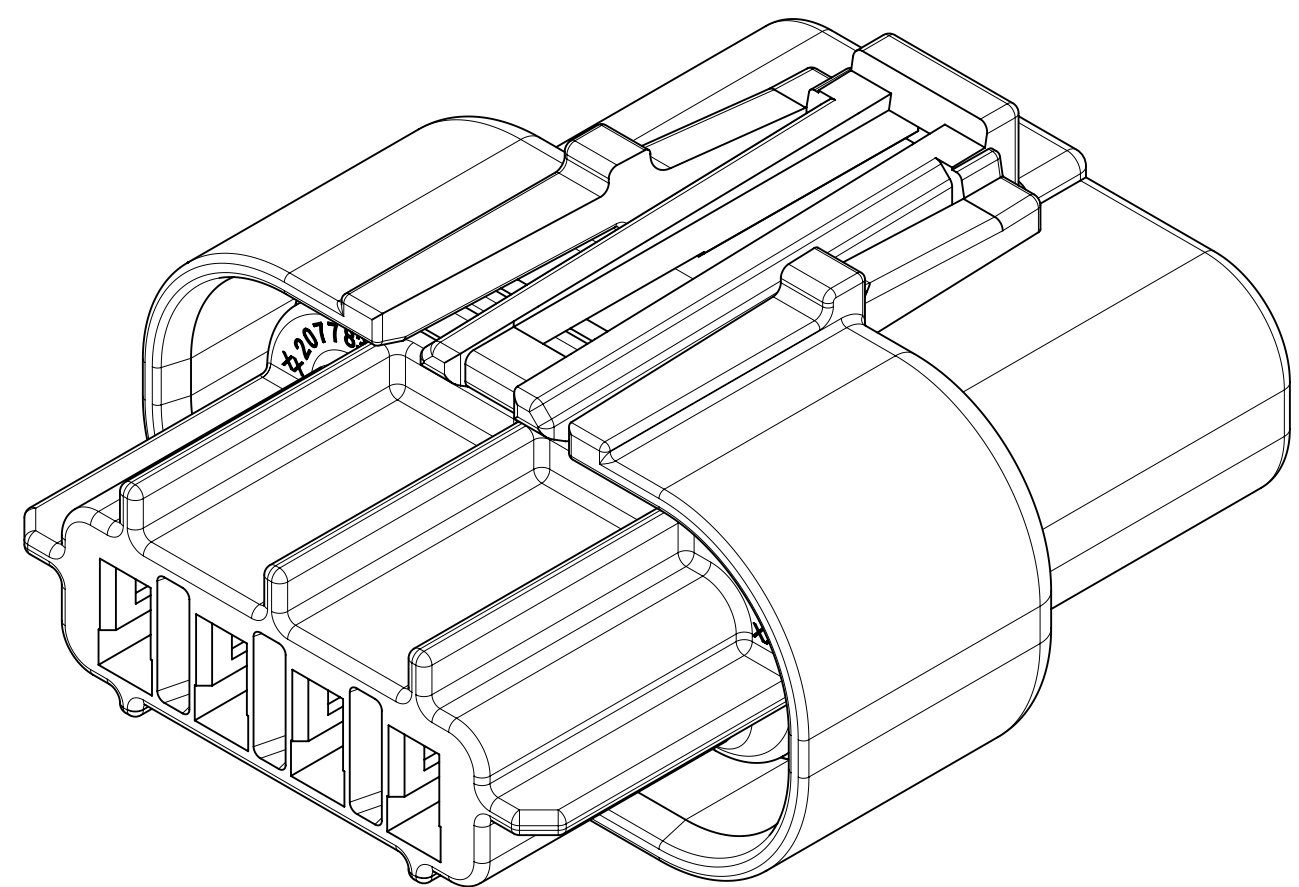
MAT SEAL

RING SEAL

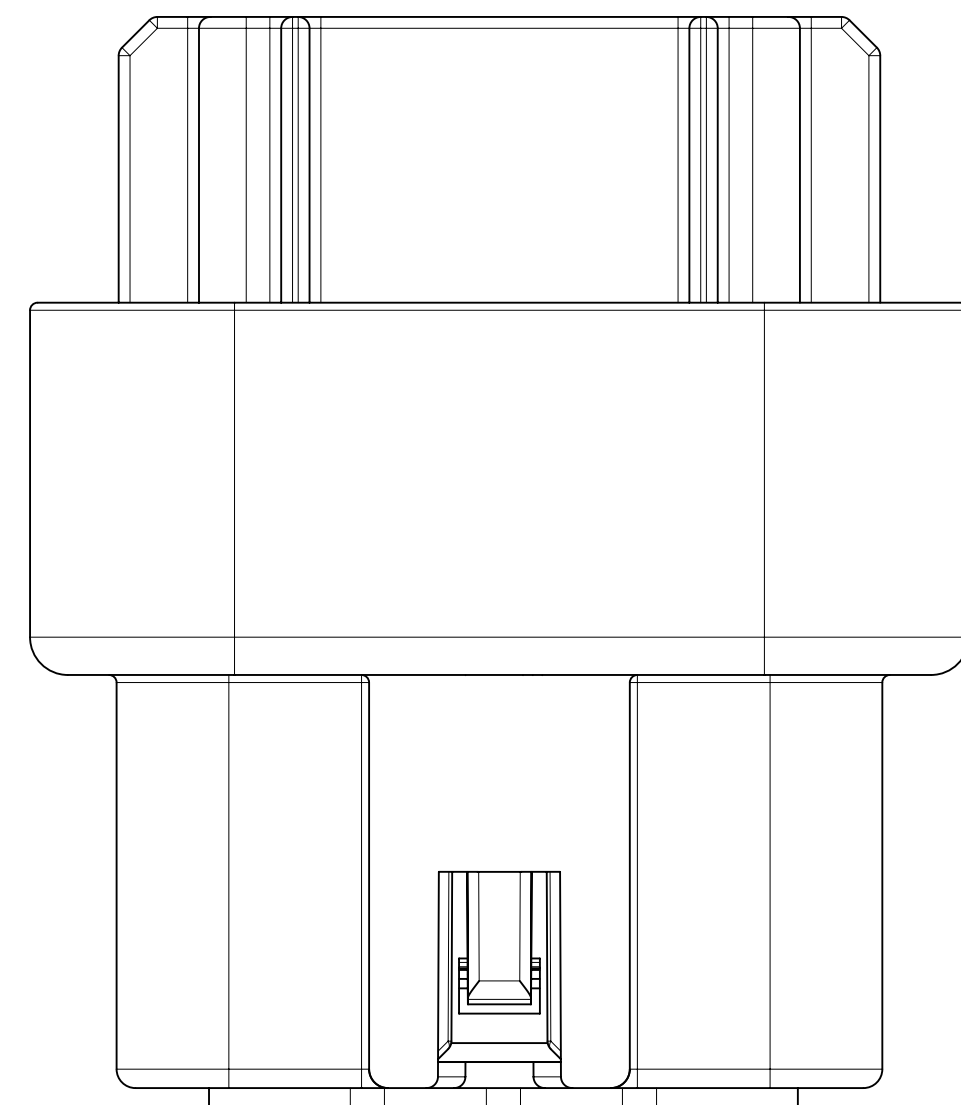
RECEPTACLE  
SEAL CAP

RECEPTACLE  
HOUSING

SECTION Z-Z



4 CKT



**NOTES:**

1. MATERIAL:  
HOUSING & REAR SEAL CAP: NYLON, COLOR:BLACK  
SEALS: INHERENTLY LUBRICATED SILICON
2. PRODUCT SPECIFICATION: 2077760000-PS
3. APPLICATION SPECIFICATION: 2077760000-AS
4. PACKAGING SPECIFICATION: 2077820000-PK
5. THIS PART MATES WITH PLUG SERIES 207778.
6. THIS PART USES TERMINAL SERIES 2077770001 AND 2077770002
7. THIS PART CONFORMS TO CLASS 'B' REQUIREMENTS OF COSMETIC SPECIFICATION PS-45499-002.

THIS DRAWING CONTAINS INFORMATION THAT IS PROPRIETARY TO MOLEX ELECTRONIC TECHNOLOGIES, LLC AND SHOULD NOT BE USED WITHOUT WRITTEN PERMISSION

DIMENSION UNITS	SCALE	CURRENT REV DESC: NEW RELEASE		<b>molex</b>					
mm	5:1								
GENERAL TOLERANCES (UNLESS SPECIFIED)				RECEPTACLE ASSEMBLY SQUBA 3.6					
ANGULAR TOL	±	°							
4 PLACES	±			PRODUCT CUSTOMER DRAWING					
3 PLACES	±								
2 PLACES	±	0.2		DOCUMENT NUMBER    DOC TYPE    DOC PART    REVISION					
1 PLACE	±	0.25							
0 PLACES	±			2077820000-SD		PSD	000	A	
DRAFT WHERE APPLICABLE MUST REMAIN WITHIN DIMENSIONS				THIRD ANGLE PROJECTION	DRAWING	SERIES	MATERIAL NUMBER	CUSTOMER	SHEET NUMBER
				D-SIZE	207782	SEE TABLE	GENERAL MARKET	1 OF 1	