



On-Off switch, 3p, Ie=12A, FS 0-1, 90°, 48x48 mm, center mounting



Powering Business Worldwide™

Part no. T0-2-1/EZ
Article no. 027012

Catalog No. CT02-1-CEKBUQ



Delivery programme

Product range
Basic function
Part group reference

Switch-disconnectors T, P
ON-OFF switches
T0
with black thumb grip and front plate
without auxiliary contacts
3

Main circuits
Poles



Auxiliary contacts



N/O

0

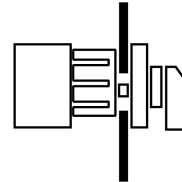


B

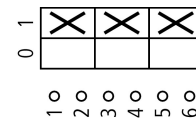
0

Locking facility
Protection type
Design

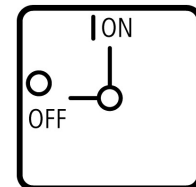
Not lockable
Front IP65
centre mounting



Contact sequence



Front plate no.



FS 908

Bemessungsbetriebsleistung AC-23A,

50 - 60 Hz

400 V

Rated uninterrupted current

P

I_u

kW

A

6.5

20

Approvals

Product Standards
UL File No.
UL Category Control No.
CSA File No.
CSA Class No.
North America Certification
Specially designed for North America
Suitable for
Degree of Protection

UL 508; CSA-C22.2 No. 14-05; IEC/EN 60947-3; CE marking
E36332
NLRV
12528
3211-05
UL listed, CSA certified
Yes, in combination with "+NA" (105864)
Branch circuits, suitable as motor disconnect
IEC: IP65; UL/CSA Type 3R, 12

General

Standards

IEC/EN 60947, VDE 0660, IEC/EN 60204, CSA, UL
Switch-disconnector according to IEC/EN 60947-3

Climatic proofing

Damp heat, constant, to IEC 60068-2-78
Damp heat, cyclic, to IEC 60068-2-30

Ambient temperature

°C

Open

°C

-25 - +50

Enclosed

°C

-25 - +40

Overvoltage category/pollution degree
 Rated impulse withstand voltage
 Mechanical shock resistance
 Mounting position
 Protection against direct contact when actuated from front (EN 50274)

		III/3
U_{imp}	V AC	6000
	g	15
		As required
		Finger and back-of-hand proof

Contacts

Mechanical variables

Main circuits
 Poles
 Auxiliary contacts

		3
	N/O	0
	B	0
U_e	V AC	690
I_u	A	20
		Rated uninterrupted current I_u is specified for max. cross-section.
	$\times I_e$	2
	$\times I_e$	1.6
	$\times I_e$	1.3
	A gG/ gL	20
I_{cw}	A_{rms}	320
		Current for a time of 1 second

Electrical characteristics

Rated operational voltage

Rated uninterrupted current

Note on rated uninterrupted current I_u

Load rating with intermittent operation, class 12

AB 25 % DF

AB 40 % DF

AB 60 % DF

Short-circuit rating

Fuse

Rated short-time withstand current (1 s current)

Note on rated short-time withstand current I_{cw}

Switching capacity

Bemessungsausschaltvermögen $\cos \varphi$ nach IEC 60947-3

230 V

400/415 V

500 V

690 V

Safe isolation to EN 61140

between the contacts

Current heat loss per contact at I_e

Lifespan, mechanical

Maximum operating frequency

AC

AC-3

Rating, motor load switch

220 V 230 V

230 V Star-delta

380 V 400 V

400 V 415 V

400 V Star-delta

500 V

500 V Star-delta

690 V

690 V Star-delta

Bemessungsbetriebsstrom Motorschalter

230 V

230 V star-delta

400V 415 V

	A	
	A	100
	A	110
	A	80
	A	60
	V AC	440
	W	0.6
Operations	$\times 10^6$	> 0.4
Operations/ h		1200
P	kW	
P	kW	3
P	kW	4
P	kW	4
P	kW	4
P	kW	5.5
P	kW	5.5
P	kW	7.5
P	kW	4
P	kW	5.5
I_e	A	11.5
I_e	A	14.8
I_e	A	11.5

400 V star-delta	I_e	A	11.3
500 V	I_e	A	9
500 V star-delta	I_e	A	12.1
690 V	I_e	A	4.9
690 V star-delta	I_e	A	6.5
AC-15			
Rated operational current control switch			
230 V	I_e	A	6
400 V 415 V	I_e	A	4
500 V	I_e	A	2
AC-21A			
Bemessungsbetriebsstrom Lastschalter			
440 V	I_e	A	20
AC-23A			
Bemessungsbetriebsleistung AC-23A, 50 - 60 Hz	P	kW	
230 V	P	kW	3.5
400 V 415 V	P	kW	6.5
500 V	P	kW	7.5
690 V	P	kW	6.5
Bemessungsbetriebsstrom Motorschalter			
230 V	I_e	A	13.3
DC			
DC-1, Load-break switches L/R = 1 ms			
Rated operational current	I_e	A	10
Voltage per contact pair in series		V	60
DC-21A			
Rated operational current	I_e	A	1
Contacts		Quantity	1
DC-23A, motor load switch L/R = 15 ms			
24 V			
Rated operational current	I_e	A	10
Contacts		Quantity	1
48 V			
Rated operational current	I_e	A	10
Contacts		Quantity	2
60 V			
Rated operational current	I_e	A	10
Contacts		Quantity	3
120 V			
Rated operational current	I_e	A	5
Contacts		Quantity	3
240 V			
Rated operational current	I_e	A	5
Contacts		Quantity	5
DC-13, Control switches L/R = 50 ms			
Rated operational current	I_e	A	10
Voltage per contact pair in series		V	32
Control circuit reliability at 24 V DC, 10 mA	Fault probability	H_F	$< 10^{-5}$, < 1 fault in 100000 operations

Terminal capacities

Flexible with ferrules to DIN 46228

Flexible with ferrule

Terminal screw

Max. tightening torque

	mm^2	
	mm^2	1 x (0.75 - 1.5) 2 x (0.75 - 1.5)
		M3.5
	Nm	1

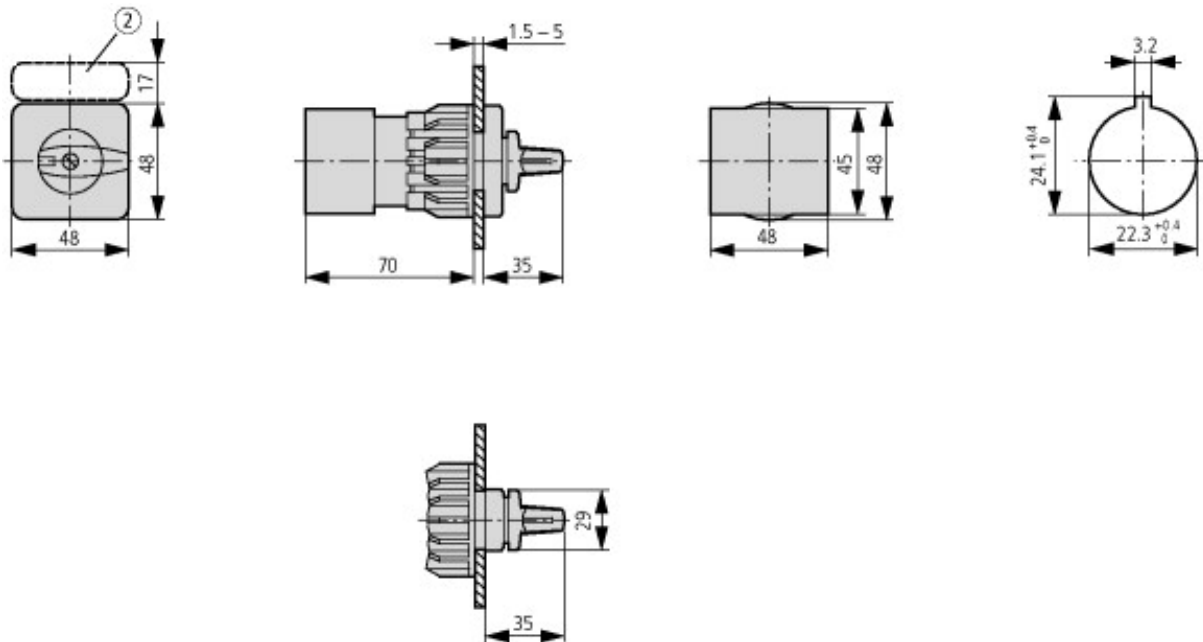
Technical data ETIM 5.0

Low-voltage industrial components (EG000017) / Switch disconnecter (EC000216)

Electric engineering, automation, process control engineering / Low-voltage switch technology / Off-load switch, circuit breaker, control switch / Switch disconnecter (ecl@ss8-27-37-14-03 [AKF060009])

Version as switch disconnector compact		No
Version as main switch		No
Version as maintenance-/service switch		No
Version as safety switch		No
Version as emergency stop installation		No
Max. rated operation voltage Ue AC	V	690
Rated permanent current Iu	A	20
Rated operation power AC-3, 400 V	kW	4
Rated operation power at AC-23, 400 V	kW	6.5
Conditioned rated short-circuit current Iq	kA	0
Number of poles		3
Number of auxiliary contacts as normally closed contact		0
Number of auxiliary contacts as normally open contact		0
Number of auxiliary contacts as change-over contact		0
Motor drive optional		No
Motor drive integrated		No
Voltage release optional		No
Device construction		Built-in device fixed built-in technique
Suitable for ground mounting		No
Suitable for front mounting		No
Suitable for front mounting center		Yes
Suitable for distribution board installation		No
Suitable for intermediate mounting		No
Type of control element		Toggle
Interlockable		No
Connection type main current circuit		Screw connection
Degree of protection (IP), front side		IP65

Dimensions



2 ZFS... Label mount not included as standard

Additional product information (links)

IL03801020Z (AWA1150-0586) Cam switch: Mounting

IL03801020Z (AWA1150-0586) Cam switch: Mounting

ftp://ftp.moeller.net/DOCUMENTATION/AWA_INSTRUCTIONS/IL03801020Z2013_02.pdf

<http://ecat.moeller.net/flip-cat/?edition=HPLEN&startpage=4.87>

<http://ecat.moeller.net/flip-cat/?edition=K115A&startpage=40>

<http://de.ecat.moeller.net/flip-cat/?edition=HPLTEv1&startpage=4.2>

<http://de.ecat.moeller.net/flip-cat/?edition=HPLTEv1&startpage=4.4>

<http://de.ecat.moeller.net/flip-cat/?edition=HPLTEv1&startpage=4.6>

<http://de.ecat.moeller.net/flip-cat/?edition=HPLTEv1&startpage=4.8>

<http://de.ecat.moeller.net/flip-cat/?edition=HPLTEv1&startpage=4.8>

