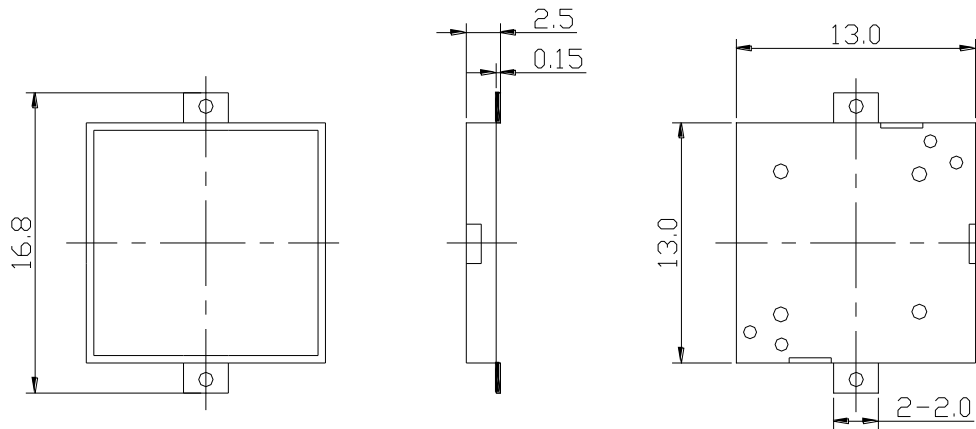


Specifications:

| | |
|----------------------------------|-----------------------------------|
| Resonant Frequency (Hz) | 4100 |
| Operating Voltage (Vpp) | 1 ~ 25 |
| Rated Voltage (Vpp) | 5.0 |
| Current Consumption Max. (mA) | 8 at 12 Vpp |
| Sound Pressure Level Min. (dB) | 90 at 10cm at 12Vpp |
| Capacitance (pF) | 16,000 ±30% |
| Operating Temperature (°C) | -40 ~ +85 |
| Storage Temperature (°C) | -40 ~ +85 |
| Housing | LCP Plastic Resin (Color: Black) |
| Type of Connection | SMD |
| Condition by wave soldering (°C) | 260 ±5 / within 5 sec |
| Condition by hand soldering (°C) | 350 ±20 / within 5 sec |
| Weight (Grams) | 0.5 |
| Options | For other options contact factory |

Dimensions: (units: mm)**ROHS Compliant****Packaging:** Parts are supplied on cut tape.