

# D-SUB bus connector - SUBCON-PLUS-CAN/AX/M12



2902326

<https://www.phoenixcontact.com/gb/products/2902326>

Please be informed that the data shown in this PDF document is generated from our Online Catalog. Please find the complete data in the user documentation. Our General Terms of Use for Downloads are valid.



D-SUB plug, 9-pos., socket, assignment: 2, 3, 5, 6, 7, 9; two M12 cable glands (A-coded) under 180° (axial). Bus system: CAN, CANopen®. Termination resistor via separate M12 terminator.

## Product Description

The SUBCON-PLUS fast connectors with M12 connection ensure error-free installation of bus systems, thanks to the use of fully-tested components such as cables and connectors. The innovative housing concept is lightweight yet offers optimum mechanical protection against environmental influences. This means that the fast connection plugs are ideal, even in applications subject to vibration. The unique SPEEDCON fast locking system on the M12 connections offers reliable connection with just half a turn.

## Your advantages

- Assembly under field conditions
- Quick connection thanks to M12-SPEEDCON fast locking system
- Through-contacted shielding from M12 to D-SUB

## Commercial Data

Item number	2902326
Packing unit	1 pc
Minimum order quantity	1 pc
Sales Key	DNC541
Product Key	DNC541
Catalog Page	Page 445 (C-6-2019)
GTIN	4046356655019
Weight per Piece (including packing)	62.9 g
Weight per Piece (excluding packing)	62.6 g
Customs tariff number	85366990
Country of origin	CN

## Technical Data

### Product properties

Product type	Data plug
MTTF	6706 Years (SN 29500 standard, temperature 25°C, operating cycle 21%)
	1817 Years (SN 29500 standard, temperature 40°C, operating cycle 34.25%)
	155 Years (SN 29500 standard, temperature 40°C, operating cycle 100%)
Pin assignment	2, 3, 5, 7, 9

### Electrical properties

Nominal voltage $U_N$	5 V
Nominal current $I_N$	100 mA

### Connection data

#### D-SUB connection

Connection method	D-SUB socket
-------------------	--------------

#### M12 plug

Connection method	M12 connector, A-coded
-------------------	------------------------

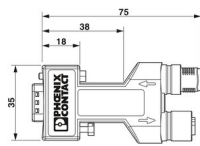
#### M12 socket

Connection method	M12 connector, A-coded
-------------------	------------------------

### Interfaces

Bus system	CAN, CANopen, SafetyBus-P
Signal	CAN
	CANopen®

### Dimensions

Dimensional drawing	
Width	16 mm
Height	75 mm
Length	38 mm

### Material specifications

Material	Polyamide
----------	-----------

### Environmental and real-life conditions

# D-SUB bus connector - SUBCON-PLUS-CAN/AX/M12



2902326

<https://www.phoenixcontact.com/gb/products/2902326>

## Ambient conditions

Degree of protection	IP40
Ambient temperature (operation)	-30 °C ... 80 °C
Ambient temperature (storage/transport)	-40 °C ... 85 °C
Ambient temperature (assembly)	-20 °C ... 80 °C
Altitude	≤ 5000 m (For restrictions, see the manufacturer's declaration for altitude operation)
Permissible humidity (operation)	10 % ... 95 % (non-condensing)
Permissible humidity (storage/transport)	5 % ... 95 % (non-condensing)

## Standards and regulations

Free from substances that could impair the application of coating	in accordance with VW-AUDI-Seat central standard P-VW 3.10.7 57 65 0
---	--

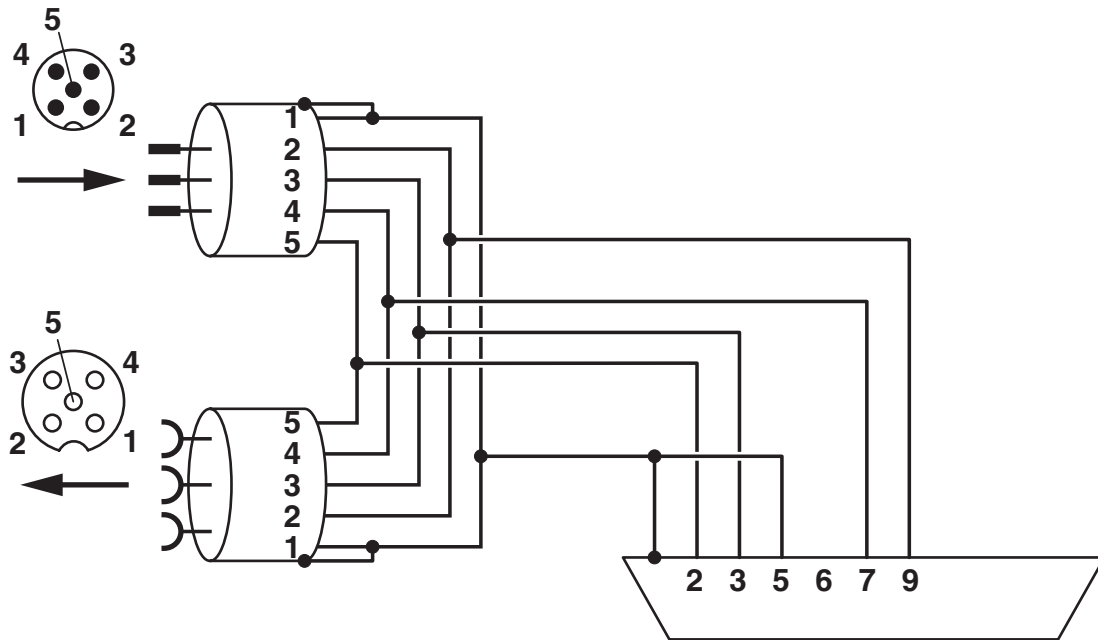
# D-SUB bus connector - SUBCON-PLUS-CAN/AX/M12

2902326

<https://www.phoenixcontact.com/gb/products/2902326>

## Drawings

Block diagram



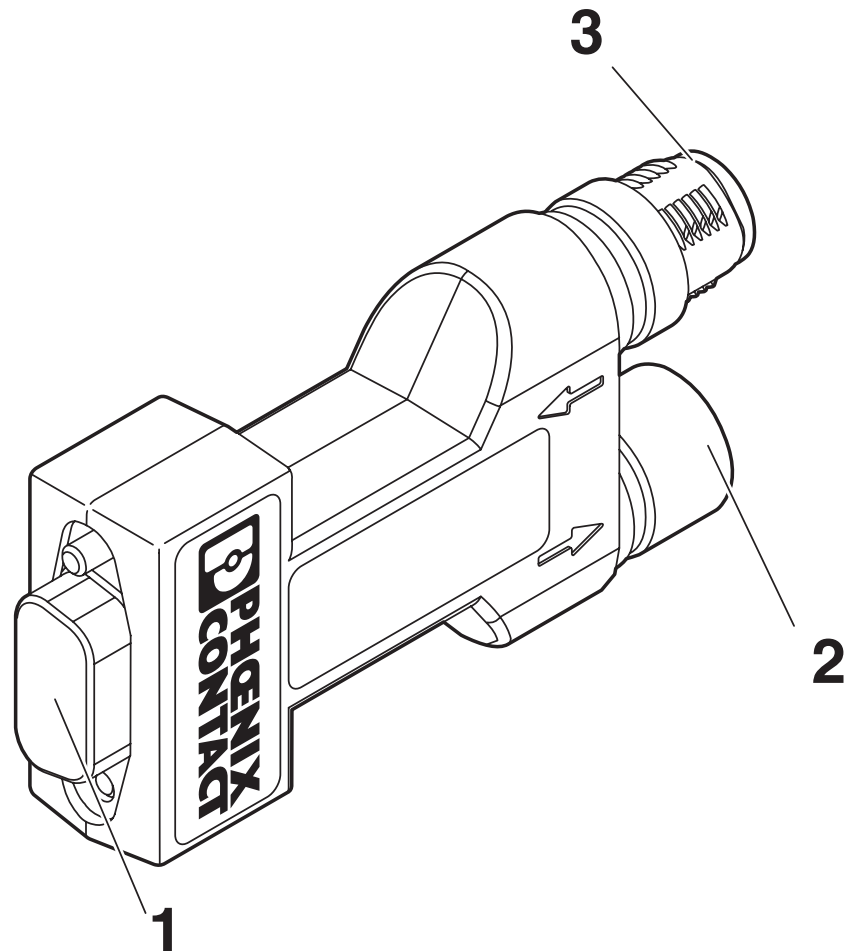
SUBCON-PLUS-CAN/...M12 function block diagram

# D-SUB bus connector - SUBCON-PLUS-CAN/AX/M12

2902326

<https://www.phoenixcontact.com/gb/products/2902326>

Schematic diagram



## Function elements

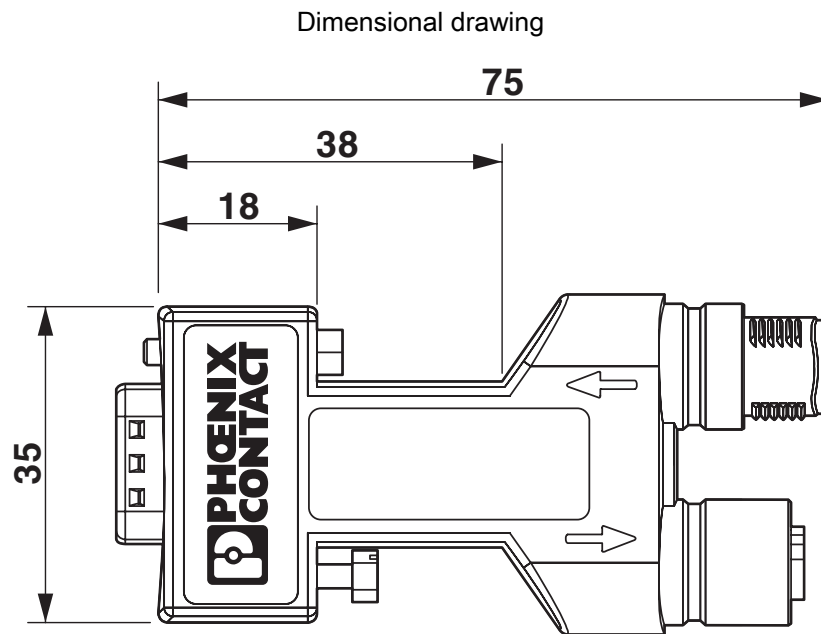
- 1 = D-SUB 9
- 2 = Outgoing M12 connection
- 3 = Incoming M12 connection
- 4 = D-SUB PG connection (depending on the version)

# D-SUB bus connector - SUBCON-PLUS-CAN/AX/M12



2902326

<https://www.phoenixcontact.com/gb/products/2902326>



SUBCON-PLUS...AX...M12 dimensional drawing, axial (180°) version

# D-SUB bus connector - SUBCON-PLUS-CAN/AX/M12



2902326

<https://www.phoenixcontact.com/gb/products/2902326>

## Approvals



**cUL Recognized**  
Approval ID: FILE E 238705



**UL Recognized**  
Approval ID: FILE E 238705

**cULus Recognized**

# D-SUB bus connector - SUBCON-PLUS-CAN/AX/M12



2902326

<https://www.phoenixcontact.com/gb/products/2902326>

## Classifications

### ECLASS

ECLASS-9.0	27440302
ECLASS-10.0.1	27440302
ECLASS-11.0	27440302

### ETIM

ETIM 8.0	EC001132
----------	----------

### UNSPSC

UNSPSC 21.0	39121400
-------------	----------



# D-SUB bus connector - SUBCON-PLUS-CAN/AX/M12



2902326

<https://www.phoenixcontact.com/gb/products/2902326>

## Environmental Product Compliance

REACH SVHC	Lead 7439-92-1
China RoHS	Environmentally Friendly Use Period = 50 years
	For information on hazardous substances, refer to the manufacturer's declaration available under "Downloads"

# D-SUB bus connector - SUBCON-PLUS-CAN/AX/M12



2902326

<https://www.phoenixcontact.com/gb/products/2902326>

## Accessories

### Termination resistor

Termination resistor - SAC-5P-M12MS CAN TR - 1507816

<https://www.phoenixcontact.com/gb/products/1507816>



Terminating resistor CANopen®/DeviceNet™ M12

---

### Termination resistor

Termination resistor - SAC-5P-M12FS CAN TR - 1529344

<https://www.phoenixcontact.com/gb/products/1529344>



Terminating resistor CANopen®/DeviceNet™ M12

# D-SUB bus connector - SUBCON-PLUS-CAN/AX/M12



2902326

<https://www.phoenixcontact.com/gb/products/2902326>

## Bus system cable

Bus system cable - SAC-5P-MS/ 0,3-920/FS SCO - 1518258

<https://www.phoenixcontact.com/gb/products/1518258>



Bus system cable, CANopen<sup>®</sup>, DeviceNet<sup>™</sup>, 5-position, PUR halogen-free, red lilac RAL 4001, shielded, Plug straight M12 SPEEDCON, coding: A, on Socket straight M12 SPEEDCON, coding: A, cable length: 0.3 m

---

## Bus system cable

Bus system cable - SAC-5P-MS/ 1,0-920/FS SCO - 1518274

<https://www.phoenixcontact.com/gb/products/1518274>



Bus system cable, CANopen<sup>®</sup>, DeviceNet<sup>™</sup>, 5-position, PUR halogen-free, red lilac RAL 4001, shielded, Plug straight M12 SPEEDCON, coding: A, on Socket straight M12 SPEEDCON, coding: A, cable length: 1 m

# D-SUB bus connector - SUBCON-PLUS-CAN/AX/M12



2902326

<https://www.phoenixcontact.com/gb/products/2902326>

## Bus system cable

Bus system cable - SAC-5P-MS/ 5,0-920/FS SCO - 1518290

<https://www.phoenixcontact.com/gb/products/1518290>



Bus system cable, CANopen<sup>®</sup>, DeviceNet<sup>™</sup>, 5-position, PUR halogen-free, red lilac RAL 4001, shielded, Plug straight M12 SPEEDCON, coding: A, on Socket straight M12 SPEEDCON, coding: A, cable length: 5 m

---

## Bus system cable

Bus system cable - SAC-5P-MS-FS SCO/920/... - 1538157

<https://www.phoenixcontact.com/gb/products/1538157>



Bus system cable, CANopen<sup>®</sup>, DeviceNet<sup>™</sup>, 5-position, PUR halogen-free, red lilac RAL 4001, shielded, Plug straight M12 SPEEDCON, coding: A, on Socket straight M12 SPEEDCON, coding: A, cable length: Free input (0.2 ... 40.0 m)

# D-SUB bus connector - SUBCON-PLUS-CAN/AX/M12



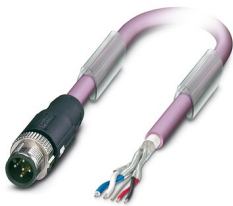
2902326

<https://www.phoenixcontact.com/gb/products/2902326>

## Bus system cable

Bus system cable - SAC-5P-MS/ 2,0-920 SCO - 1518177

<https://www.phoenixcontact.com/gb/products/1518177>



Bus system cable, CANopen<sup>®</sup>, DeviceNet<sup>™</sup>, 5-position, PUR halogen-free, red lilac RAL 4001, shielded, Plug straight M12 SPEEDCON, coding: A, on free cable end, cable length: 2 m

---

## Bus system cable

Bus system cable - SAC-5P-MS-FR SCO/920/... - 1433304

<https://www.phoenixcontact.com/gb/products/1433304>



Bus system cable, CANopen<sup>®</sup>, DeviceNet<sup>™</sup>, 5-position, PUR halogen-free, red lilac RAL 4001, shielded, Plug straight M12 SPEEDCON, coding: A, on Socket angled M12 SPEEDCON, coding: A, cable length: Free input (0.2 ... 40.0 m)

# D-SUB bus connector - SUBCON-PLUS-CAN/AX/M12



2902326

<https://www.phoenixcontact.com/gb/products/2902326>

## D-SUB bus connector

D-SUB bus connector - SUBCON-PLUS-CAN/90X/PG/M12 - 2902730

<https://www.phoenixcontact.com/gb/products/2902730>

D-SUB plug, 9-pos., socket, with PG-D-SUB pin, assignment: 2, 3, 5, 6, 7, 9; two 90° cable entries M12 (A-coded). Bus system: CAN, CANopen®. Termination resistor via separate M12 terminator. Long version; S7-compatible.



---

## D-SUB bus connector

D-SUB bus connector - SUBCON-PLUS-CAN/90/PG/M12 - 2902322

<https://www.phoenixcontact.com/gb/products/2902322>

D-SUB plug, 9-pos., socket, with PG-D-SUB pin, assignment: 2, 3, 5, 6, 7, 9; two 90° cable entries M12 (A-coded). Bus system: CAN, CANopen®. Termination resistor via separate M12 terminator.



# D-SUB bus connector - SUBCON-PLUS-CAN/AX/M12



2902326

<https://www.phoenixcontact.com/gb/products/2902326>

## D-SUB bus connector

D-SUB bus connector - SUBCON-PLUS-CAN/35/PG/M12 - 2902324

<https://www.phoenixcontact.com/gb/products/2902324>

D-SUB plug, 9-pos., socket, with PG-D-SUB pin, assignment: 2, 3, 5, 6, 7, 9; two 35° cable entries M12 (A-coded). Bus system: CAN, CANopen®. Termination resistor via separate M12 terminator.



---

## Screwdriver

Screwdriver - SF-PH 0-60 - 1212558

<https://www.phoenixcontact.com/gb/products/1212558>

Screwdriver, PH crosshead, size: PH 0 x 60, 2-component grip, with non-slip grip



---

Phoenix Contact 2022 © - all rights reserved  
<https://www.phoenixcontact.com>

PHOENIX CONTACT Ltd  
Halesfield 13, Telford  
Shropshire, TF7 4PG  
01952 681700  
[info@phoenixcontact.co.uk](mailto:info@phoenixcontact.co.uk)