

Sealing cap - PROT-M12 MS-PA-CHAIN-EYE-DM14



1456200

<https://www.phoenixcontact.com/gb/products/1456200>

Please be informed that the data shown in this PDF document is generated from our Online Catalog. Please find the complete data in the user documentation. Our General Terms of Use for Downloads are valid.



M12 sealing cap with fixing band, for free M12 sockets with 14.5 mm fastening eye

Commercial Data

Item number	1456200
Packing unit	5 pc
Minimum order quantity	5 pc
Sales Key	ABQZCA
Product Key	ABQZCA
Catalog Page	Page 55 (C-2-2019)
GTIN	4046356605724
Weight per Piece (including packing)	3.65 g
Weight per Piece (excluding packing)	3.65 g
Customs tariff number	39235090
Country of origin	DE

Sealing cap - PROT-M12 MS-PA-CHAIN-EYE-DM14



1456200

<https://www.phoenixcontact.com/gb/products/1456200>

Technical Data

Notes

General	Not suitable for M12 sockets with K, L, or M coding
---------	---

Product properties

Product type	Protective cap
Thread type	M12

Material specifications

Material	PA 6.6 GF
Material	PUR (Holding band)
Flammability rating according to UL 94	V0
Sealing material	NBR

Environmental and real-life conditions

Ambient conditions

Degree of protection	IP67
Ambient temperature (operation)	-25 °C ... 85 °C

Sealing cap - PROT-M12 MS-PA-CHAIN-EYE-DM14

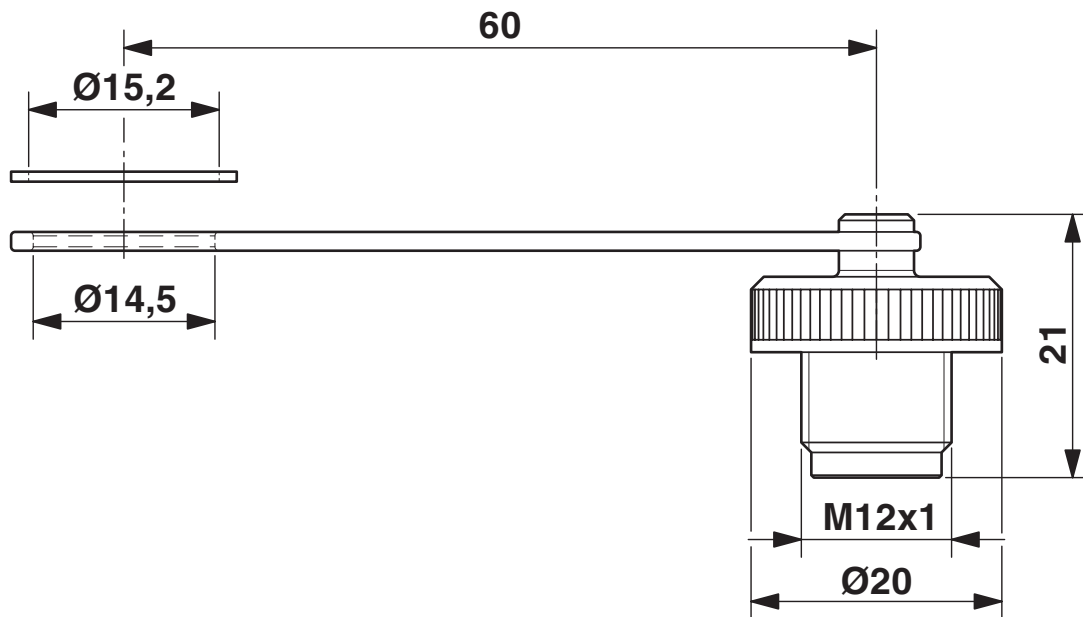


1456200

<https://www.phoenixcontact.com/gb/products/1456200>

Drawings

Dimensional drawing



Dimensional drawing

Sealing cap - PROT-M12 MS-PA-CHAIN-EYE-DM14



1456200

<https://www.phoenixcontact.com/gb/products/1456200>

Classifications

ECLASS

ECLASS-9.0	27379218
ECLASS-11.0	27440208

ETIM

ETIM 8.0	EC002314
----------	----------

UNSPSC

UNSPSC 21.0	39121400
-------------	----------

Sealing cap - PROT-M12 MS-PA-CHAIN-EYE-DM14



1456200

<https://www.phoenixcontact.com/gb/products/1456200>

Environmental Product Compliance

China RoHS	Environmentally friendly use period: unlimited = EFUP-e
	No hazardous substances above threshold values

Phoenix Contact 2022 © - all rights reserved
<https://www.phoenixcontact.com>

PHOENIX CONTACT Ltd
Halesfield 13, Telford
Shropshire, TF7 4PG
01952 681700
info@phoenixcontact.co.uk