

# H distributor - QPD H3PE2,5 4X6-10 BK



1423971

<https://www.phoenixcontact.com/gb/products/1423971>

Please be informed that the data shown in this PDF document is generated from our Online Catalog. Please find the complete data in the user documentation. Our General Terms of Use for Downloads are valid.



H distributor, QUICKON connection, number of positions: 3+PE, 1 mm<sup>2</sup> ... 2.5 mm<sup>2</sup>, 690 V, 20 A, black, with four QUICKON nuts, external cable diameter: 6 mm ... 10 mm

## Your advantages

- Innovative and time saving - QUICKON fast connection for time saving of up to 80 % for on-site connection
- Robust throughout: housing with IP68/IP69K and IK07 protection for a wide range of applications
- Safer connection with mechanical coding to protect against mismatching, and touch-proof protection in accordance with DIN EN 0105
- Flexible and compact - by connecting connections internally, H and T-distributors can be used to branch master cables or they can be used as star distributors

## Commercial Data

Item number	1423971
Packing unit	1 pc
Minimum order quantity	1 pc
Sales Key	BF6DBB
Product Key	BF6DBB
Catalog Page	Page 481 (C-2-2019)
GTIN	4055626365893
Weight per Piece (including packing)	250.6 g
Weight per Piece (excluding packing)	22.22 g
Customs tariff number	85444290
Country of origin	PL

# H distributor - QPD H3PE2,5 4X6-10 BK



1423971

<https://www.phoenixcontact.com/gb/products/1423971>

## Technical Data

### Product properties

Type	H-distributor
Product type	Power distributor
Number of positions	4
Connection profile	3+PE
Position marking	1, 2, 3, PE
Number of connections per position	1
No. of cable outlets	4
Locking type	Screw locking
Series	QPD
Coding	Coding profile

### Insulation characteristics

Overvoltage category	III
Degree of pollution	3

### Connection data

#### Connection technology

Connection technology	QUICKON connection
Connection system, internal	IDC connection
Frequency of connections between conductors of the same cross section	max. 10

#### Conductor connection

Conductor cross section solid	1 mm <sup>2</sup> ... 2.5 mm <sup>2</sup>
Conductor cross section flexible	1 mm <sup>2</sup> ... 2.5 mm <sup>2</sup>
Conductor cross section AWG	16 ... 14
Wrench size, union nut	22 mm
Tightening torque, union nut	7 Nm

### Dimensions

Dimensional drawing	
Width	65 mm
Height	31 mm
Length	152 mm

### Electrical properties

# H distributor - QPD H3PE2,5 4X6-10 BK



1423971

<https://www.phoenixcontact.com/gb/products/1423971>

Rated surge voltage (II/2)	6 kV
Rated surge voltage (III/2)	6 kV
Rated surge voltage (III/3)	6 kV
Rated current	20 A
Contact resistance	< 3 mΩ
rated voltage (II/2)	1000 V
rated voltage (III/2)	690 V
Rated voltage (III/3)	690 V
Nominal voltage $U_N$	690 V AC
	690 V DC
Nominal current $I_N$	20 A

## Material specifications

Color	black
Flammability rating according to UL 94	V0
Insulating material	PA
Contact material	Cu
Contact surface material	silver-plated
Contact carrier material	PA
Housing material	PA

## Connector

Insertion/withdrawal cycles	max. 50
-----------------------------	---------

## Cable / line

Structure of individual litz in acc. with VDE 0295 / smallest wire diameter	VDE 0295 class 1 to 6/min. 0.15 mm
External cable diameter	6 mm ... 10 mm
Material wire insulation	PVC / PE / rubber / TPE
Position marking	1, 2, 3, PE
Wire diameter including insulation	2 mm ... 3.6 mm
Halogen-free	yes

## Ambient conditions

Degree of protection	IP66
	IP68 (2 m / 24 h)
	IP69K (Distance from the nozzle 150 mm)
Ambient temperature (operation)	-40 °C ... 100 °C
Temperature when conductor connected	-5 °C ... 50 °C
Ambient temperature (storage/transport)	-40 °C ... 100 °C

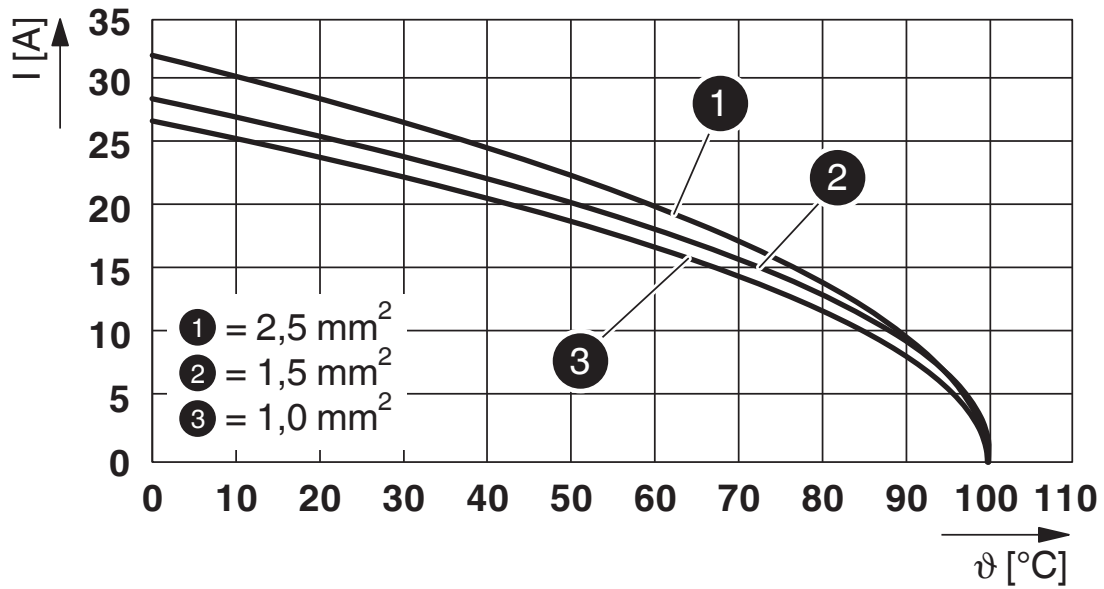
# H distributor - QPD H3PE2,5 4X6-10 BK

1423971

<https://www.phoenixcontact.com/gb/products/1423971>

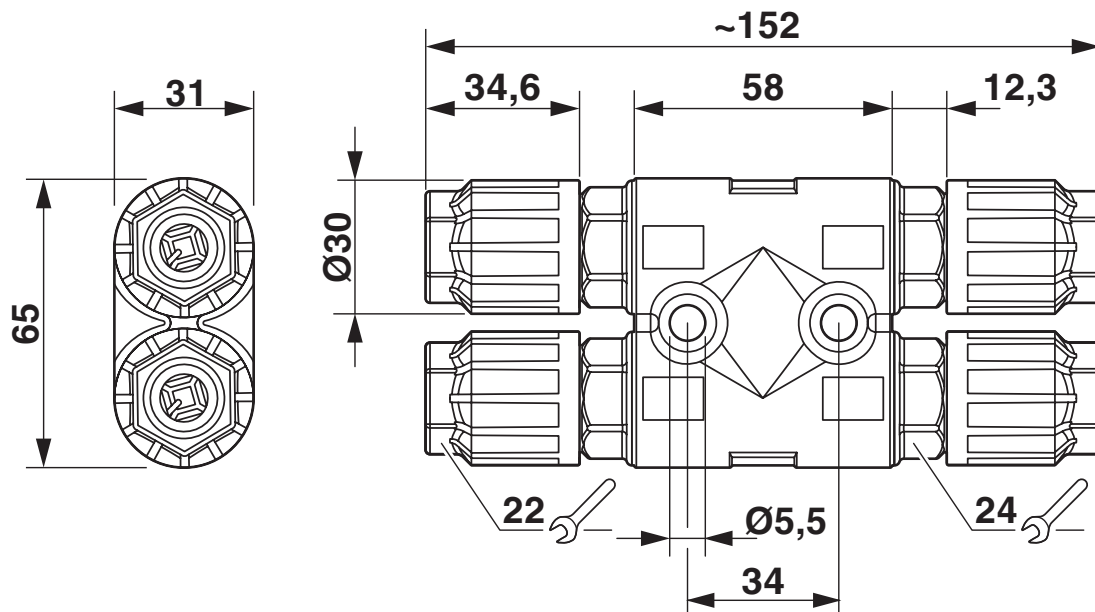
## Drawings

Diagram



Derating diagram

Dimensional drawing



Dimensional drawing

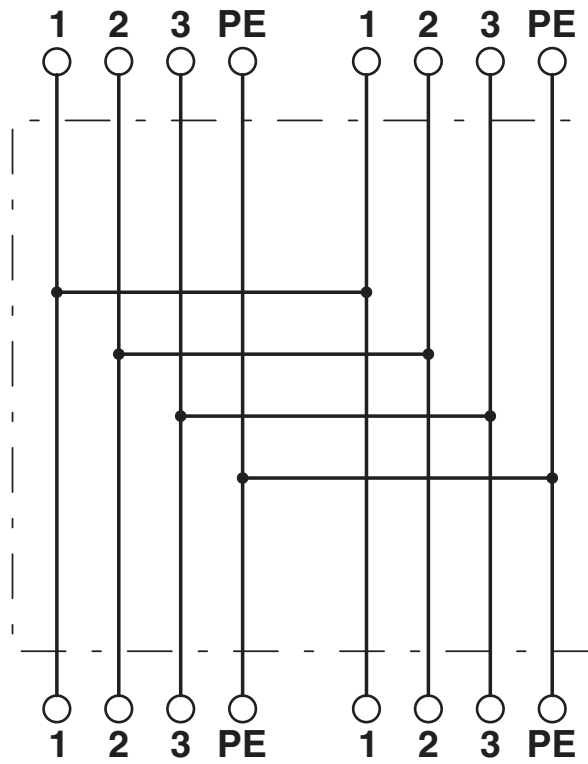
# H distributor - QPD H3PE2,5 4X6-10 BK

1423971

<https://www.phoenixcontact.com/gb/products/1423971>



Circuit diagram



# H distributor - QPD H3PE2,5 4X6-10 BK



1423971

<https://www.phoenixcontact.com/gb/products/1423971>

## Approvals



### IECEE CB Scheme

Approval ID: DE1-65875



### EAC

Approval ID: RU C-DE.BL08.B.00511



### UL Listed

Approval ID: E468743

	Nominal Voltage $U_N$	Nominal Current $I_N$	Cross Section AWG	Cross Section $\text{mm}^2$
	600 V	10 A	-	- 16



### cUL Listed

Approval ID: E468743

	Nominal Voltage $U_N$	Nominal Current $I_N$	Cross Section AWG	Cross Section $\text{mm}^2$
	600 V	10 A	- 16	-



### VDE Zeichengenehmigung

Approval ID: 40029149

	Nominal Voltage $U_N$	Nominal Current $I_N$	Cross Section AWG	Cross Section $\text{mm}^2$
Only flexible conductors	400 V	20 A	-	1.5 - 2.5
Only rigid conductors	690 V	20 A	-	1.5 - 2.5

### cULus Listed

# H distributor - QPD H3PE2,5 4X6-10 BK



1423971

<https://www.phoenixcontact.com/gb/products/1423971>

## Classifications

### ECLASS

ECLASS-9.0	27440603
ECLASS-10.0.1	27440603
ECLASS-11.0	27440603

### ETIM

ETIM 8.0	EC002567
----------	----------

### UNSPSC

UNSPSC 21.0	39121400
-------------	----------

# H distributor - QPD H3PE2,5 4X6-10 BK



1423971

<https://www.phoenixcontact.com/gb/products/1423971>

## Environmental Product Compliance

China RoHS	Environmentally friendly use period: unlimited = EFUP-e
	No hazardous substances above threshold values



# H distributor - QPD H3PE2,5 4X6-10 BK

1423971

<https://www.phoenixcontact.com/gb/products/1423971>

## Accessories

### Coding profile

Coding profile - CP QPD 4X2,5 - 1425950

<https://www.phoenixcontact.com/gb/products/1425950>



Coding profile red, for pushing into the QUICKON dome and connector, can be positioned in 90° steps.

---

### Socket wrench

Socket wrench - QSS 22 - 1670206

<https://www.phoenixcontact.com/gb/products/1670206>



Allen wrench, for loosening and fastening the QUICKON union nut, WAF 22 mm

# H distributor - QPD H3PE2,5 4X6-10 BK

1423971

<https://www.phoenixcontact.com/gb/products/1423971>

## Protective cap

Protective cap - QPD QSK 5X1,5 - 1414758

<https://www.phoenixcontact.com/gb/products/1414758>

Protective cap plastic, for QPD-QUICKON connection 5x 1.5 mm<sup>2</sup>, IP50



---

## Protective cap

Protective cap - QPD QSK BK 5X1,5 FS - 1414728

<https://www.phoenixcontact.com/gb/products/1414728>

Protective cap, plastic, for QUICKON connection, black, with retaining cord, IP68



# H distributor - QPD H3PE2,5 4X6-10 BK

1423971

<https://www.phoenixcontact.com/gb/products/1423971>

## Closing cap

Closing cap - SEALING PLUG 10X16 RD - 1400284

<https://www.phoenixcontact.com/gb/products/1400284>

Closing cap, material: PA, for threads pluggable, color: red



---

## Panel feed-through

Panel feed-through - QPD W3PE2,5 6-10 M25 0,5 BK - 1423975

<https://www.phoenixcontact.com/gb/products/1423975>



Panel feed-through, QUICKON connection, number of positions: 3+PE, 1 mm<sup>2</sup> ... 2.5 mm<sup>2</sup>, 690 V, 20 A, black, with QUICKON nut, external cable diameter: 6 mm ... 10 mm, assembly thread: M25, IDC connection (welded-on), 2.5 mm<sup>2</sup>, wires cut flat at the end, cable length: 0.5 m

# H distributor - QPD H3PE2,5 4X6-10 BK

1423971

<https://www.phoenixcontact.com/gb/products/1423971>

## Panel feed-through

Panel feed-through - QPD W3PE2,5 6-10 M25 1,0 BK - 1423974

<https://www.phoenixcontact.com/gb/products/1423974>



Panel feed-through, QUICKON connection, number of positions: 3+PE, 1 mm<sup>2</sup> ... 2.5 mm<sup>2</sup>, 690 V, 20 A, black, with QUICKON nut, external cable diameter: 6 mm ... 10 mm, assembly thread: M25, IDC connection (welded-on), 2.5 mm<sup>2</sup>, wires cut flat at the end, cable length: 1 m

---

## Panel feed-through

Panel feed-through - QPD W3PE2,5 6-10 M25 FC BK - 1423976

<https://www.phoenixcontact.com/gb/products/1423976>



Panel feed-through, QUICKON connection, number of positions: 3+PE, 1 mm<sup>2</sup> ... 2.5 mm<sup>2</sup>, 690 V, 20 A, black, with QUICKON nut, external cable diameter: 6 mm ... 10 mm, assembly thread: M25, IDC connection, 2.5 mm<sup>2</sup>

# H distributor - QPD H3PE2,5 4X6-10 BK

1423971

<https://www.phoenixcontact.com/gb/products/1423971>

## Panel feed-through

Panel feed-through - QPD W3PE2,5 6-10 M25 DT BK - 1423977

<https://www.phoenixcontact.com/gb/products/1423977>



Panel feed-through, QUICKON connection, number of positions: 3+PE, 1 mm<sup>2</sup> ... 2.5 mm<sup>2</sup>, 400 V, 20 A, black, with QUICKON nut, external cable diameter: 6 mm ... 10 mm, assembly thread: M25, Push-in connection, 2.5 mm<sup>2</sup>

---

## Conductor connectors

Conductor connectors - QPD C3PE2,5 1X6-10 BK - 1423991

<https://www.phoenixcontact.com/gb/products/1423991>



Conductor connectors, QUICKON connection, number of positions: 3+PE, 1 mm<sup>2</sup> ... 2.5 mm<sup>2</sup>, 690 V, 20 A, black, with one QUICKON nut, external cable diameter: 6 mm ... 10 mm, QUICKON fast connection

# H distributor - QPD H3PE2,5 4X6-10 BK

1423971

<https://www.phoenixcontact.com/gb/products/1423971>

## Conductor connectors

Conductor connectors - QPD C3PE2,5 2X6-10 BK - 1423989

<https://www.phoenixcontact.com/gb/products/1423989>



Conductor connectors, QUICKON connection, number of positions: 3+PE, 1 mm<sup>2</sup> ... 2.5 mm<sup>2</sup>, 690 V, 20 A, black, With two QUICKON nuts, external cable diameter: 6 mm ... 10 mm, QUICKON fast connection

---

## T distributor

T distributor - QPD T3PE2,5 2X6-10 BK - 1424047

<https://www.phoenixcontact.com/gb/products/1424047>



T distributor, QUICKON connection, number of positions: 3+PE, 1 mm<sup>2</sup> ... 2.5 mm<sup>2</sup>, 690 V, 20 A, black, With two QUICKON nuts, external cable diameter: 6 mm ... 10 mm

# H distributor - QPD H3PE2,5 4X6-10 BK

1423971

<https://www.phoenixcontact.com/gb/products/1423971>



## T distributor

T distributor - QPD T3PE2,5 3X6-10 BK - 1424045

<https://www.phoenixcontact.com/gb/products/1424045>



T distributor, QUICKON connection, number of positions: 3+PE, 1 mm<sup>2</sup> ... 2.5 mm<sup>2</sup>, 690 V, 20 A, black, With three QUICKON nuts, external cable diameter: 6 mm ... 10 mm

---

## Nut

Nut - QPD N2,5 6-10 BK - 1423993

<https://www.phoenixcontact.com/gb/products/1423993>



Nut, QUICKON connection, 1 mm<sup>2</sup> ... 2.5 mm<sup>2</sup>, 690 V, 20 A, black, external cable diameter: 6 mm ... 10 mm

# H distributor - QPD H3PE2,5 4X6-10 BK

1423971

<https://www.phoenixcontact.com/gb/products/1423971>

## Connector

Connector - QPD P3PE2,5 6-10 BK - 1423987

<https://www.phoenixcontact.com/gb/products/1423987>



Connector, QUICKON connection, number of positions: 3+PE, 1 mm<sup>2</sup> ... 2.5 mm<sup>2</sup>, 690 V, 20 A, black, with QUICKON nut, external cable diameter: 6 mm ... 10 mm

---

Phoenix Contact 2022 © - all rights reserved

<https://www.phoenixcontact.com>

PHOENIX CONTACT Ltd

Halesfield 13, Telford

Shropshire, TF7 4PG

01952 681700

[info@phoenixcontact.co.uk](mailto:info@phoenixcontact.co.uk)