

Power connector - CUC-PPC-C2ZNI-SS/24FKP5



1421785

<https://www.phoenixcontact.com/gb/products/1421785>

Please be informed that the data shown in this PDF document is generated from our Online Catalog. Please find the complete data in the user documentation. Our General Terms of Use for Downloads are valid.



Power connector, degree of protection: IP65/IP67, number of positions: 5, material: Zinc die-cast, connection cross section: AWG 18- 13, cable outlet: straight, Universal

Commercial Data

Item number	1421785
Packing unit	1 pc
Minimum order quantity	1 pc
Sales Key	ABNHAA
Product Key	ABNHAA
Catalog Page	Page 364 (C-2-2019)
GTIN	4055626299792
Weight per Piece (including packing)	109.5 g
Weight per Piece (excluding packing)	109.5 g
Customs tariff number	85366990
Country of origin	PL

1421785

<https://www.phoenixcontact.com/gb/products/1421785>

Technical Data

Notes

General	This product corresponds to the PROFINET Cabling and Interconnection Technology Guideline for PROFINET regulations, version 2.00, order no: 2.252, Chapter 11 Connectors for 24 Volt Power Supply Cabling and Chapter 13 Application specific Cabling and Interconnection Technology (AIDA)
---------	---

Product properties

Type	MSTB
Product type	Data plug
Number of positions	5
Connection profile	MSTB
Type	fixed coding
Locking type	Push Pull
Cable outlet	straight

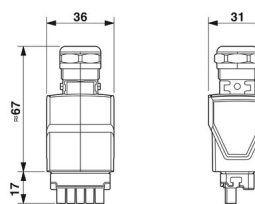
Insulation characteristics

Degree of pollution	3
---------------------	---

Electrical properties

Rated voltage (II/2)	630 V
Rated voltage (III/2)	400 V
Rated voltage (III/3)	24 V
Rated voltage (III/3)	250 V
Rated surge voltage (II/2)	4 kV
Rated surge voltage (III/2)	4 kV
Rated surge voltage (III/3)	4 kV
Rated current	16 A (at 20 °C)
Rated current	16 A
Nominal voltage U_N	24 V
Nominal current I_N	16 A

Dimensions

Dimensional drawing	
Width	31 mm
Height	36 mm
Length	67 mm

1421785

<https://www.phoenixcontact.com/gb/products/1421785>

Material specifications

Material	Metal
Flammability rating according to UL 94	V0
Seal material	NBR
Housing surface material	Nickel-plated
Cable seal material	TPE
Contact material	Copper alloy
Contact surface material	Gold over nickel
Contact carrier material	PA
Housing material	Zinc die-cast

Connector

Insertion/withdrawal cycles	≥ 100
-----------------------------	-------

Cable / line

External cable diameter	6.5 mm ... 9 mm
	6.5 mm ... 9 mm
Stripping length of the individual wire	10 mm

Environmental and real-life conditions

Ambient conditions

Degree of protection	IP65/IP67
Degree of protection	IP65/IP67
Ambient temperature (operation)	-40 °C ... 85 °C
Ambient temperature (storage/transport)	-40 °C ... 85 °C
Ambient temperature (assembly)	-10 °C ... 40 °C

Power connector - CUC-PPC-C2ZNI-SS/24FKP5

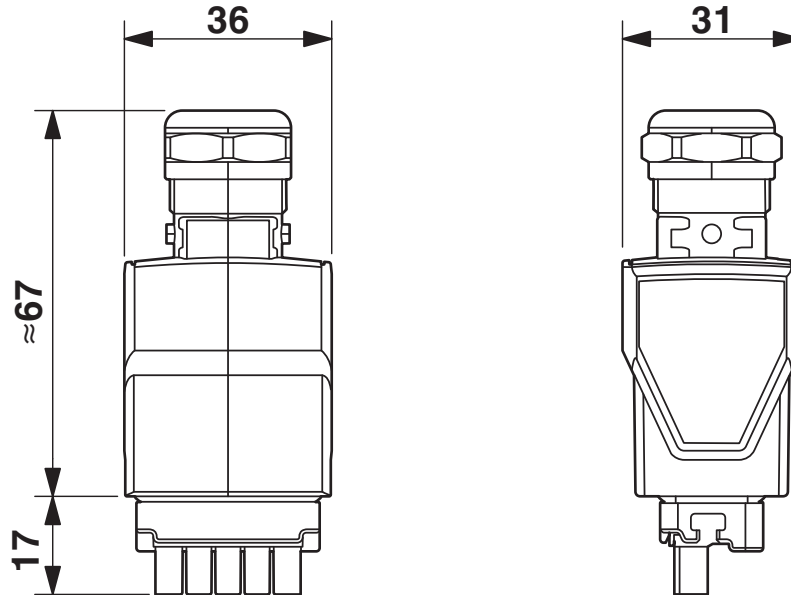


1421785

<https://www.phoenixcontact.com/gb/products/1421785>

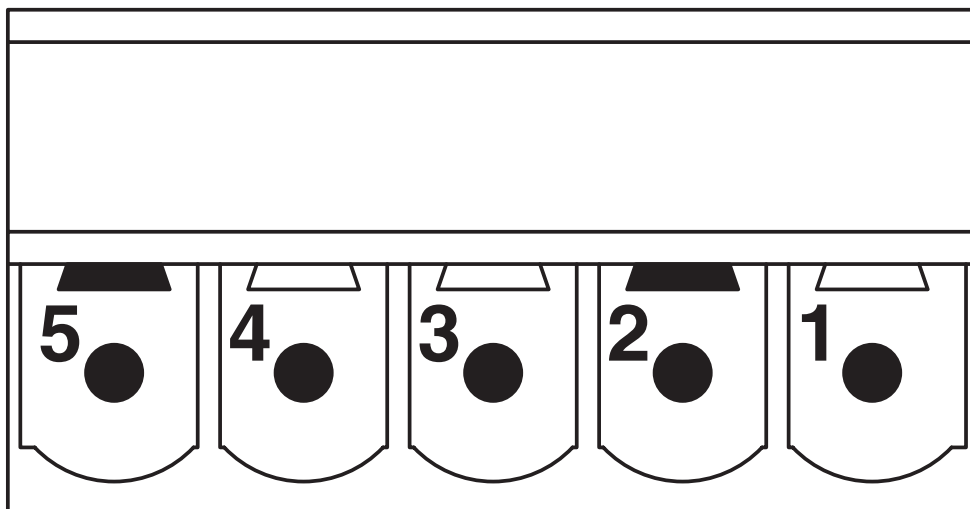
Drawings

Dimensional drawing



Push/pull connector

Schematic diagram



Pin assignment PROFINET push-pull, power connector, 24 V, fixed coding

Power connector - CUC-PPC-C2ZNI-SS/24FKP5



1421785

<https://www.phoenixcontact.com/gb/products/1421785>

Approvals



EAC

Approval ID: B.01687



cULus Recognized

Approval ID: E118976-20080903

	Nominal Voltage U_N	Nominal Current I_N	Cross Section AWG	Cross Section mm^2
	24 V	16 A	- 14	-

Power connector - CUC-PPC-C2ZNI-SS/24FKP5



1421785

<https://www.phoenixcontact.com/gb/products/1421785>

Classifications

ECLASS

ECLASS-9.0	27440101
ECLASS-10.0.1	27440101
ECLASS-11.0	27440101
ECLASS-12.0	27440113

ETIM

ETIM 8.0	EC002636
----------	----------

UNSPSC

UNSPSC 21.0	39121400
-------------	----------

Power connector - CUC-PPC-C2ZNI-SS/24FKP5



1421785

<https://www.phoenixcontact.com/gb/products/1421785>

Environmental Product Compliance

China RoHS	Environmentally Friendly Use Period = 50 years For information on hazardous substances, refer to the manufacturer's declaration available under "Downloads"
------------	--

1421785

<https://www.phoenixcontact.com/gb/products/1421785>

Accessories

Ferrule

Ferrule - AI 1,5 -10 BK - 3200195

<https://www.phoenixcontact.com/gb/products/3200195>



Ferrule, sleeve length: 10 mm, length: 16 mm, color: black

Ferrule

Ferrule - AI 2,5 -10 BU - 3202533

<https://www.phoenixcontact.com/gb/products/3202533>



Ferrule, sleeve length: 10 mm, length: 17 mm, color: blue

Power connector - CUC-PPC-C2ZNI-SS/24FKP5



1421785

<https://www.phoenixcontact.com/gb/products/1421785>

Tool

Tool - CRIMPFOX ZA 3 - 1201882

<https://www.phoenixcontact.com/gb/products/1201882>



Crimping pliers, for ferrules in accordance with DIN 46228-1: 1992-08 and DIN 46228-4: 1990-09

Power cable

Power cable - VS-PN-CABLE-1021/PVC-5X1,5/100 - 1659007

<https://www.phoenixcontact.com/gb/products/1659007>



Power cable, number of positions: 5, PROFINET/power

Power connector - CUC-PPC-C2ZNI-SS/24FKP5



1421785

<https://www.phoenixcontact.com/gb/products/1421785>

Power cable

Power cable - VS-PN-CABLE-1021/PVC-5X1,5/... - 1658998

<https://www.phoenixcontact.com/gb/products/1658998>



PROFINET power cable, 5x 1.5 mm², stranded (7-wire), outer sheath: PVC, outside diameter 10 mm, RAL 7001 (silver gray), oil-resistant, by the meter

Panel mounting frames

Panel mounting frames - VS-PPC-F2-MSTB-MNNA-1R-P - 1608087

<https://www.phoenixcontact.com/gb/products/1608087>



MSTB panel mounting frame, IP67, for push-pull interlocking, metal, for PCB connection, for square panel cutout, with grommet, without mounting screws

Power connector - CUC-PPC-C2ZNI-SS/24FKP5



1421785

<https://www.phoenixcontact.com/gb/products/1421785>

Panel feed-through

Panel feed-through - CUC-V14-F2ZNI-EM/24FN5:FC - 1408235

<https://www.phoenixcontact.com/gb/products/1408235>



Push/pull panel mounting frame, metal, version 14, including contact insert with spring-cage connection, flexible coding, for rectangular mounting cutout, with seal, without fixing screws

Female insert

Female insert - VS-MSTBAH 2,5/ 5-GB-5,08-BK-A - 1657915

<https://www.phoenixcontact.com/gb/products/1657915>



MSTB contact insert, for PCB assembly, 24 V, 5-pos., with angled solder pins, RAL 9005 (black), for panel mounting frame VS-PPC-F2-MSTB-...-1R-P

Power connector - CUC-PPC-C2ZNI-SS/24FKP5

1421785

<https://www.phoenixcontact.com/gb/products/1421785>

Female insert

Female insert - VS-MSTBVA 2,5/ 5-GB-5,08-BK-A - 1609565

<https://www.phoenixcontact.com/gb/products/1609565>



MSTB contact insert, for PCB assembly, 24 V, 5-pos., with straight solder pins, RAL 9005 (black), for panel mounting frame VS-PPC-F2-MSTB-...-1R-P

Protective cap

Protective cap - VS-PPC-F2-PC-POBK - 1405329

<https://www.phoenixcontact.com/gb/products/1405329>



Protective cap, IP65, with push-pull locking for covering the contact insert in the push-pull connector for Power, plastic

Power connector - CUC-PPC-C2ZNI-SS/24FKP5



1421785

<https://www.phoenixcontact.com/gb/products/1421785>

Power distributor

Power distributor - VS-PPC-J-4X-1227 - 1405387

<https://www.phoenixcontact.com/gb/products/1405387>

Power H distributor, 4 x MSTB contact inserts, metal housing, without mounting screws



Y distributor

Y distributor - VS-PPC-J-1220-1227-1020-... - 1405484

<https://www.phoenixcontact.com/gb/products/1405484>

PROFINET Y distributor with assembled power line, 5-pos., IP65/IP67, MSTB plug with metal housing on 2x socket in metal housing, variable cable length



Power connector - CUC-PPC-C2ZNI-SS/24FKP5



1421785

<https://www.phoenixcontact.com/gb/products/1421785>

Power cable

Power cable - VS-PN-CABLE-1021/PVC-5X1,5/100 - 1659007

<https://www.phoenixcontact.com/gb/products/1659007>

Power cable, number of positions: 5, PROFINET/power



Power cable

Power cable - VS-PN-CABLE-1021/PVC-5X1,5/... - 1658998

<https://www.phoenixcontact.com/gb/products/1658998>

PROFINET power cable, 5x 1.5 mm², stranded (7-wire), outer sheath: PVC, outside diameter 10 mm, RAL 7001 (silver gray), oil-resistant, by the meter



Phoenix Contact 2022 © - all rights reserved

<https://www.phoenixcontact.com>

PHOENIX CONTACT Ltd

Halesfield 13, Telford

Shropshire, TF7 4PG

01952 681700

info@phoenixcontact.co.uk