

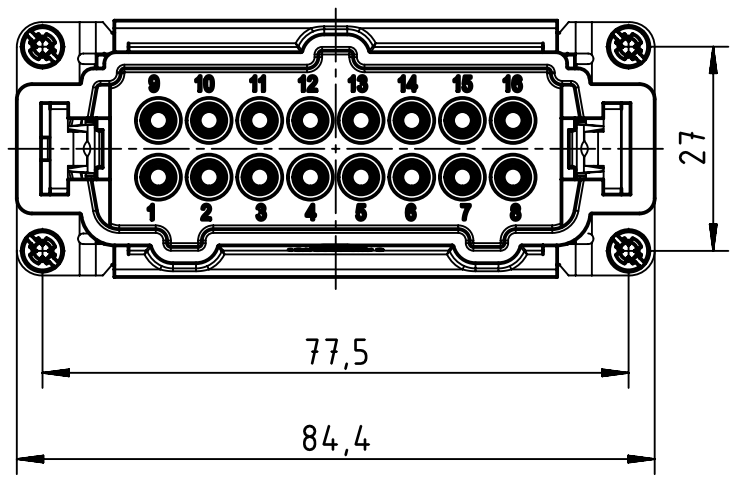
1 2 3 4 5 6

A

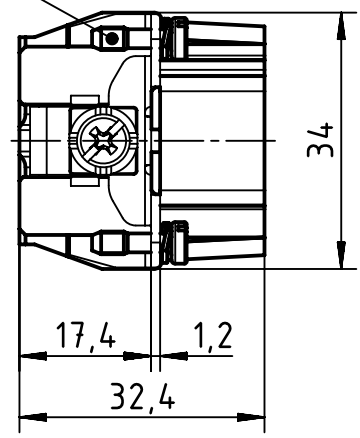
B

C

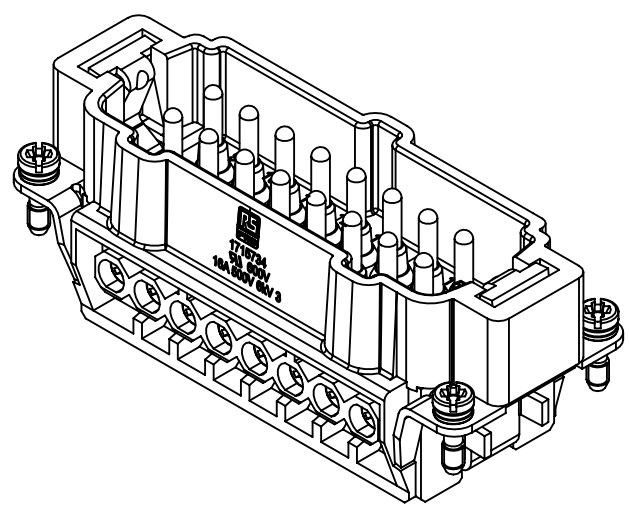
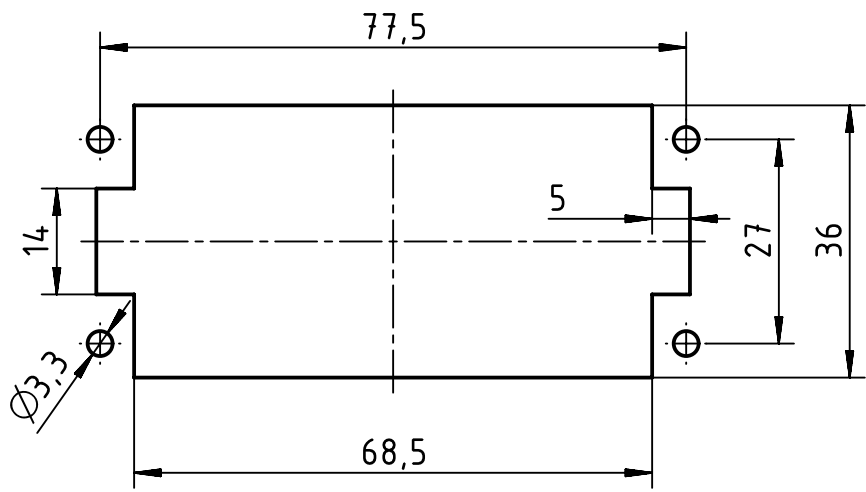
D



M3X10



panel cut out



	FREE SIZE TOL:			TITLE		REV.
				RS Pro 16E screw insert 16 contacts M		A
	DRAWN BY	Limei.L	2018.3.16	SIZE	PART NUMBER	SHEET
	CHECKED BY	Andy.Y	2018.3.16	A4	1715734	1 OF 1
APPROVED BY	Steven.W	2018.3.16	SCALE 1:1	MATERIAL:	UNIT: mm	