

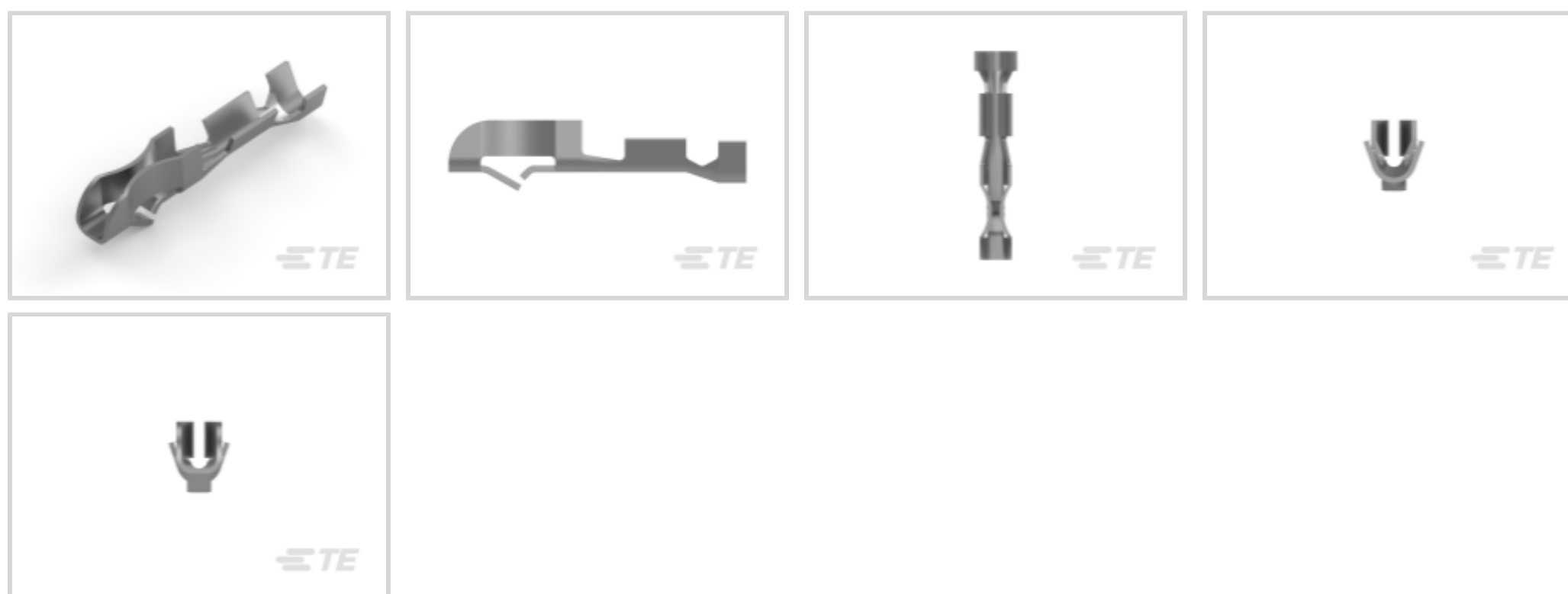


TE Internal #: 170205-2

Connector Contact, Socket, Wire-to-Wire / Wire-to-Board, 30 – 26 AWG Wire Size, .05 – .15 mm² Wire Size, Tin, Loose Piece, Wire & Cable, 2 A, Signal

[View on TE.com >](#)

Connectors > PCB Connectors > Wire-to-Board Connectors > Wire-to-Board Connector Contacts



Contact Type: **Socket**

Connector System: **Wire-to-Board, Wire-to-Wire**

Wire Size: **.05 – .15 mm²**

Contact Mating Area Plating Material: **Tin**

Features

Product Type Features

| | |
|-----------------------------------|-----------------------------|
| Connector System | Wire-to-Board, Wire-to-Wire |
| Connector & Contact Terminates To | Wire & Cable |

Electrical Characteristics

| | |
|---------------------------------------|---------|
| Dielectric Withstanding Voltage (Max) | 750 VAC |
| Insulation Resistance | 500 MΩ |
| Operating Voltage | 250 VAC |

Contact Features

| | |
|--|-----------------|
| Mating Square Post Dimension | .64 mm[.025 in] |
| Contact Mating Area Plating Material Thickness | .8 μm |
| Contact Base Material | Phosphor Bronze |
| Contact Type | Socket |
| Contact Mating Area Plating Material | Tin |
| Contact Current Rating (Max) | 2 A |

Mechanical Attachment

| | |
|-------------------------|----------------------------|
| Connector Mounting Type | Cable Mount (Free-Hanging) |
|-------------------------|----------------------------|

Dimensions

| | |
|--------------------------------------|-----------------------------|
| Compatible Insulation Diameter Range | 1 – 1.4 mm [.039 – .055 in] |
| Wire Size | .05 – .15 mm ² |

Usage Conditions

| | |
|-----------------------------|----------------------------|
| Operating Temperature Range | -20 – 105 °C [-4 – 221 °F] |
|-----------------------------|----------------------------|

Operation/Application

| | |
|---------------------|--------|
| Circuit Application | Signal |
|---------------------|--------|

Packaging Features

| | |
|--------------------|-------------|
| Packaging Quantity | 1000 |
| Packaging Method | Loose Piece |

Product Compliance

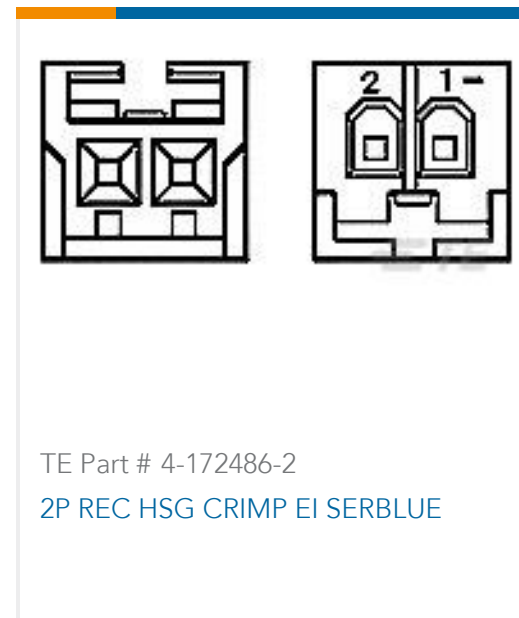
[For compliance documentation, visit the product page on TE.com>](#)

| | |
|---|---|
| EU RoHS Directive 2011/65/EU | Compliant |
| EU ELV Directive 2000/53/EC | Compliant |
| China RoHS 2 Directive MIIT Order No 32, 2016 | No Restricted Materials Above Threshold |
| EU REACH Regulation (EC) No. 1907/2006 | Current ECHA Candidate List: JUNE 2023 (235) Candidate List Declared Against: JUNE 2023 (235) Does not contain REACH SVHC |
| Halogen Content | Low Halogen - Br, Cl, F, I < 900 ppm per homogenous material. Also BFR/CFR/PVC Free |
| Solder Process Capability | Not applicable for solder process capability |

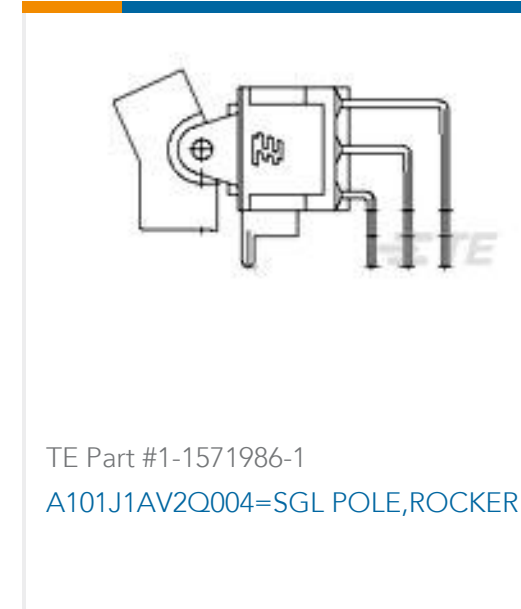
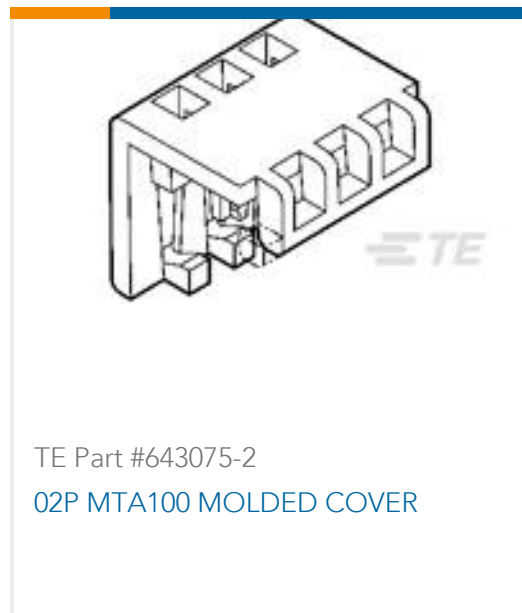
Product Compliance Disclaimer

This information is provided based on reasonable inquiry of our suppliers and represents our current actual knowledge based on the information they provided. This information is subject to change. The part numbers that TE has identified as EU RoHS compliant have a maximum concentration of 0.1% by weight in homogenous materials for lead, hexavalent chromium, mercury, PBB, PBDE, DBP, BBP, DEHP, DIBP, and 0.01% for cadmium, or qualify for an exemption to these limits as defined in the Annexes of Directive 2011/65/EU (RoHS2). Finished electrical and electronic equipment products will be CE marked as required by Directive 2011/65/EU. Components may not be CE marked. Additionally, the part numbers that TE has identified as EU ELV compliant have a maximum concentration of 0.1% by weight in homogenous materials for lead, hexavalent chromium, and mercury, and 0.01% for cadmium, or qualify for an exemption to these limits as defined in the Annexes of Directive 2000/53/EC (ELV). Regarding the REACH Regulation, the information TE provides on SVHC in articles for this part number is based on the latest European Chemicals Agency (ECHA) 'Guidance on requirements for substances in articles' posted at this URL: <https://echa.europa.eu/guidance-documents/guidance-on-reach>

Compatible Parts



Customers Also Bought



Documents

Product Drawings

E.I. SERIES CONTACT LP

English

E.I. SERIES CONTACT LP

Japanese

CAD Files

3D PDF

3D

Customer View Model

[ENG_CVM_CVM_170205-2_O.2d_dxf.zip](#)

English

Customer View Model

[ENG_CVM_CVM_170205-2_O.3d_igs.zip](#)

English

Customer View Model

[ENG_CVM_CVM_170205-2_O.3d_stp.zip](#)

English

By downloading the CAD file I accept and agree to the [Terms and Conditions](#) of use.



Datasheets & Catalog Pages

[1-1773972-5_EIS_Connectors_Brochure](#)

English

Product Specifications

[Crimping of AMP EI Series Connector Contacts](#)

Japanese

[Application Specification](#)

Japanese

Product Environmental Compliance

[MD_170205-2_10052017228_dmtec](#)

English

[MD_170205-2_10052017228_dmtec](#)

English

Instruction Sheets

[AMP "EI" Series Connector](#)

English

[Instruction Sheet \(non U.S.\)](#)

English

Agency Approvals

[Agency Approval Document](#)

English