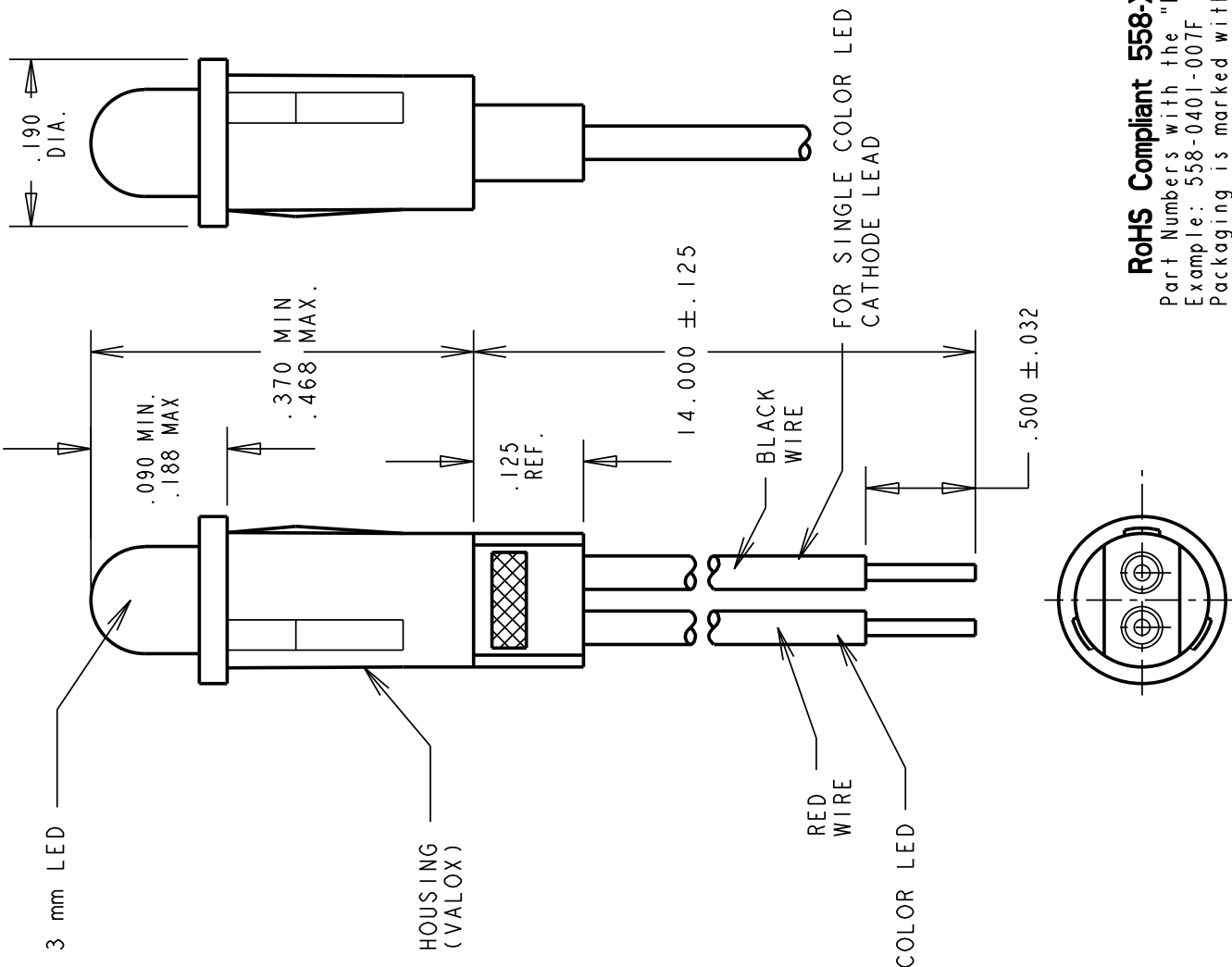


| REV | ECN NO | REVISIONS | DRN | CKD | APP | DATE |
|-----|--------|-------------|-----|-----|-----|------|
| A | | NEW RELEASE | TWC | | | |

| ASSEMBLY NO. | Vf (V) | | If (mA) | | LED EPOXY COLOR | LED CHIP | PEAK WAVELENGTH λ_p (nm) | LUM. INT. I_f (mcd) | |
|---------------|--------|------|---------|------|-------------------------|------------|----------------------------------|-----------------------|-------|
| | TYP. | MAX. | TYP. | MAX. | | | | MIN. | TYP. |
| 558-0101-007F | 2.0 | 3.0 | 10* | 20 | RED DIFF. | GaAs | 650 | | 10.0 |
| 558-0102-007F | 5.0 | | 10 | 15 | RED DIFF. | GaAsP/GaP | 635 | | 4.0 |
| 558-0201-007F | 2.1 | 3.0 | 10* | 25 | GREEN DIFF. | GaP | 563 | | 16.0 |
| 558-0202-007F | 5.0 | | 12 | 15 | GREEN DIFF. | GaP | 565 | | 8.0 |
| 558-0301-007F | 2.1 | 3.0 | 10* | 20 | YELLOW DIFF. | GaAsP/GaP | 585 | | 6.3 |
| 558-0302-007F | 5.0 | | 10 | 15 | YELLOW DIFF. | GaAsP/GaP | 583 | | 8.0 |
| 558-0401-007F | 1.5 | 2.2 | 10* | 25 | ORANGE DIFF. | GaAsP/GaP | 600 | | 6.5 |
| 558-0501-007F | 2.1 | 2.8 | 20* | 40 | WATER CLEAR | GaP | 565 | | 70.0 |
| 558-0601-007F | 1.9 | 2.4 | 20* | 50 | WATER CLEAR | AlInGaP | 594 | | 200.0 |
| 558-0701-007F | 1.8 | 2.4 | 20* | 40 | WATER CLEAR | AlGaAs | 660 | | 170.0 |
| 558-0803-007F | 3.5 | 4.2 | 10* | 20 | WHITE DIFF. | GaN(BLUE) | 428 | 6.3 | 13.0 |
| 558-1101-007F | 1.8 | 2.2 | 2** | 7 | RED DIFF. | GaAsP/GaP | 635 | | 1.8 |
| 558-1201-007F | 1.9 | 2.7 | 2** | 7 | YELLOW DIFF. | GaAsP/GaP | 583 | | 1.6 |
| 558-1301-007F | 1.8 | 2.2 | 2** | 7 | GREEN DIFF. | GaP | 565 | | 1.6 |
| 558-1501-007F | 2.1 | 2.8 | 10* | 30 | GREEN TINTED NON-DIFF. | GaP | 565 | | 70.0 |
| 558-1601-007F | 2.1 | 2.8 | 10* | 20 | YELLOW TINTED NON-DIFF. | GaAsP/GaP | 585 | | 19.0 |
| 558-1701-007F | 1.8 | 2.4 | 20* | 40 | RED TINTED NON-DIFF. | AlGaAs | 660 | | 135.0 |
| 558-1801-007F | 1.8 | 2.4 | 20* | 40 | RED DIFF. | AlGaAs | 660 | | 60.0 |
| 558-6003-007F | 3.5 | 4.0 | 20* | 30 | WATER CLEAR | GaN(BLUE) | 464 | | 460 |
| 558-6403-007F | 3.6 | 4.0 | 20* | 30 | WATER CLEAR | GaN(WHITE) | SEE X,Y COOR. | | 850 |



| X, Y COLOR COORDINATES | |
|------------------------|----------------|
| PART NUMBER | |
| 558-6403-007F | X .31 Y .32 |

RoHS Compliant 558-XXXX-007F Panel Mount Indicator
 Part Numbers with the "F" suffix ending are RoHS Compliant.
 Example: 558-0401-007F
 Packaging is marked with "RoHS Compliant" label or equivalent markings.

- NOTES:
- * REQUIRES EXTERNAL RESISTOR.
 - ** REQUIRES EXTERNAL RESISTOR, MAX. FORWARD D.C. CURRENT 7 mA.
 - LEAD WIRES: AWG #26 PRE-TINNED, STRANDED.
 - RECOMMENDED MOUNTING HOLE: .155/.158 DIA. ON PANELS .031 THRU .062 THICK.
 - THIS ASSEMBLY CONTAINS ELECTROSTATIC DISCHARGE SENSITIVE DEVICES (ESDS). MAINTAIN ALL PRECAUTIONARY MEASURES DURING ASSEMBLY, HANDLING AND STORAGE IN ACCORDANCE WITH IPC-A-610.
 - DIALIGHT PART NUMBERS: 558-XXXX-007F.



| | |
|---|---|
| THIS DRAWING AND THE CONTENTS HEREIN ARE CONFIDENTIAL AND THE SOLE PROPERTY OF DIALIGHT. REPRODUCTION OF THIS DRAWING OR CONSTRUCTION OF ANY PARTS WITHIN THIS DRAWING ARE FORBIDDEN WITHOUT THE WRITTEN CONSENT OF DIALIGHT. | |
| SCALE: DRAWING SCALE | DRAWING NUMBER |
| ALL DIM'S IN: INCHES (MM) | C-17393 |
| TOLERANCES: UNLESS OTHERWISE SPECIFIED | REV |
| FRACTIONS: ±1/64 | A |
| DECIMALS (.XX): ±.01 | |
| DECIMALS (.XXX): ±.005 | |
| DECIMALS (.XXXX): ±.0005 | |
| ANGLES: ±1° | |
| FINISH: | |
| TITLE: .156" MOUNTING HOLE, SNAP-IN PMI, RoHS COMPLIANT | |
| MATERIAL | |
| FSCM 83330 | SHEET 1 OF 1 FAMILY TABLE: |
| | 1501 ROUTE 34 SOUTH FARMINGDALE, NJ 07727 |

