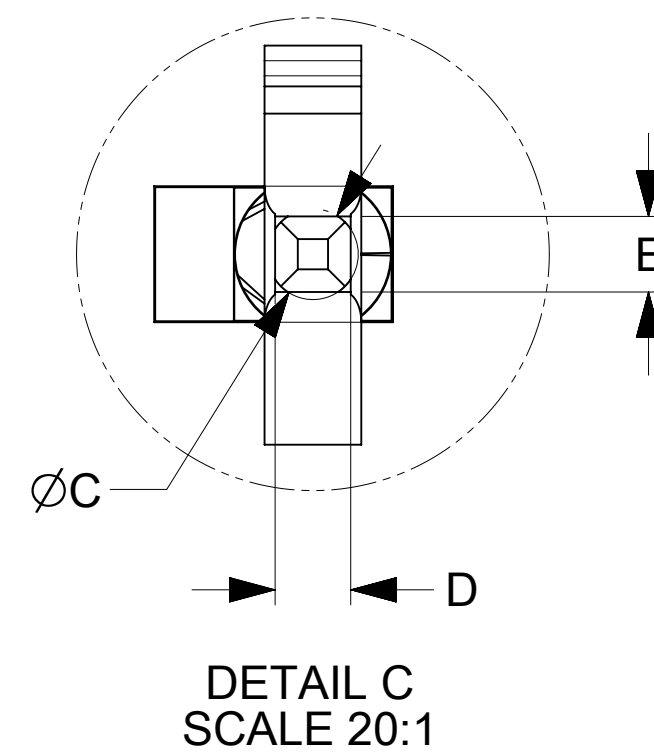
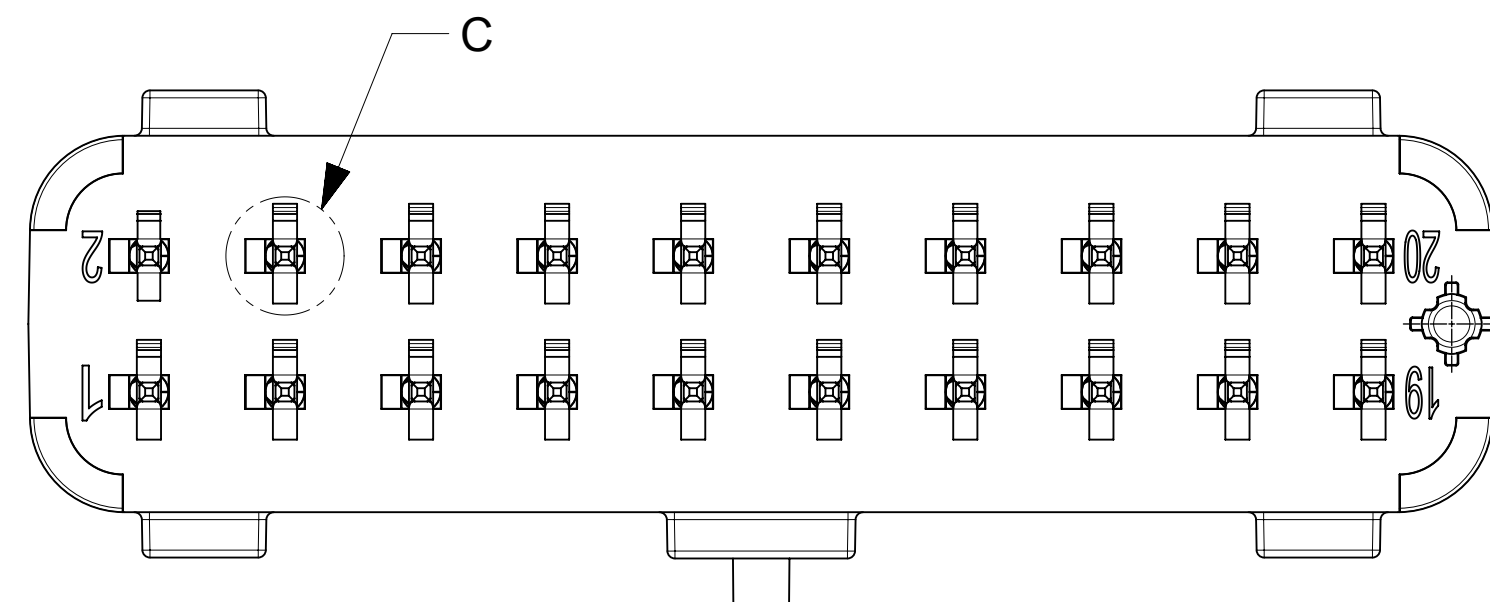
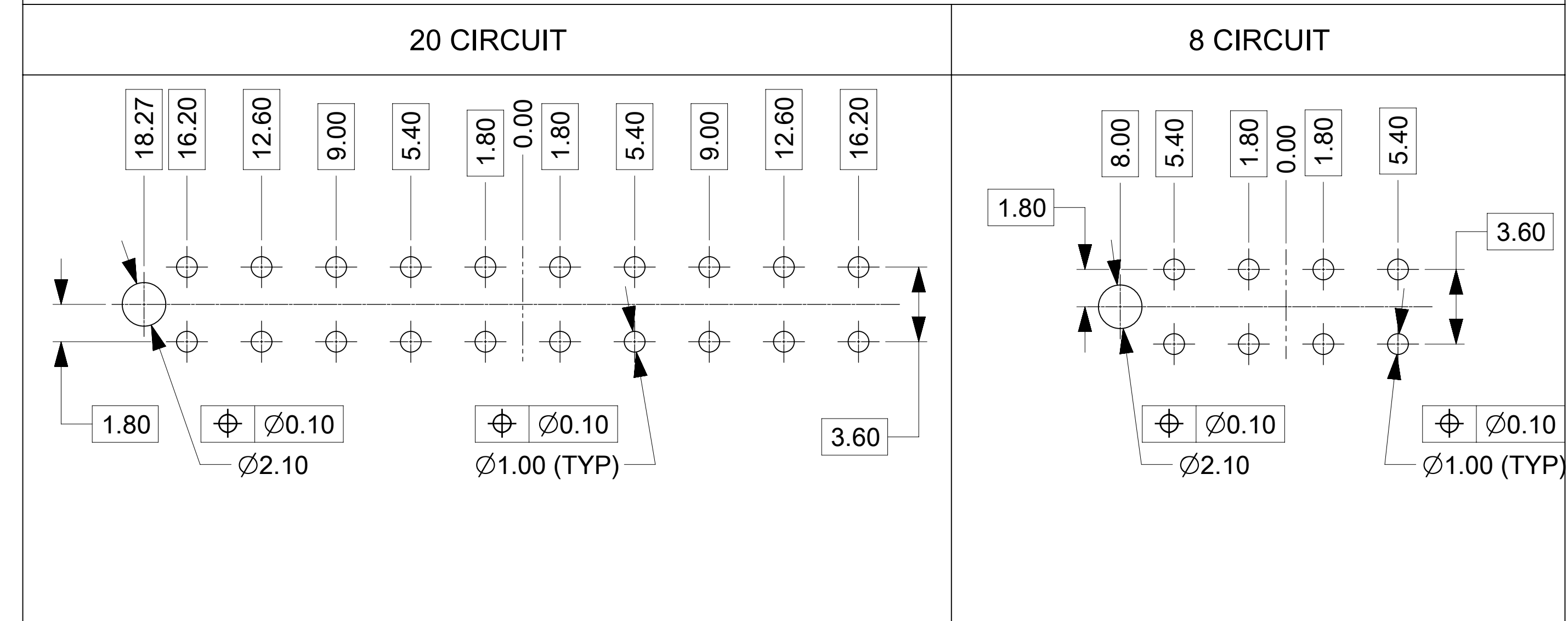
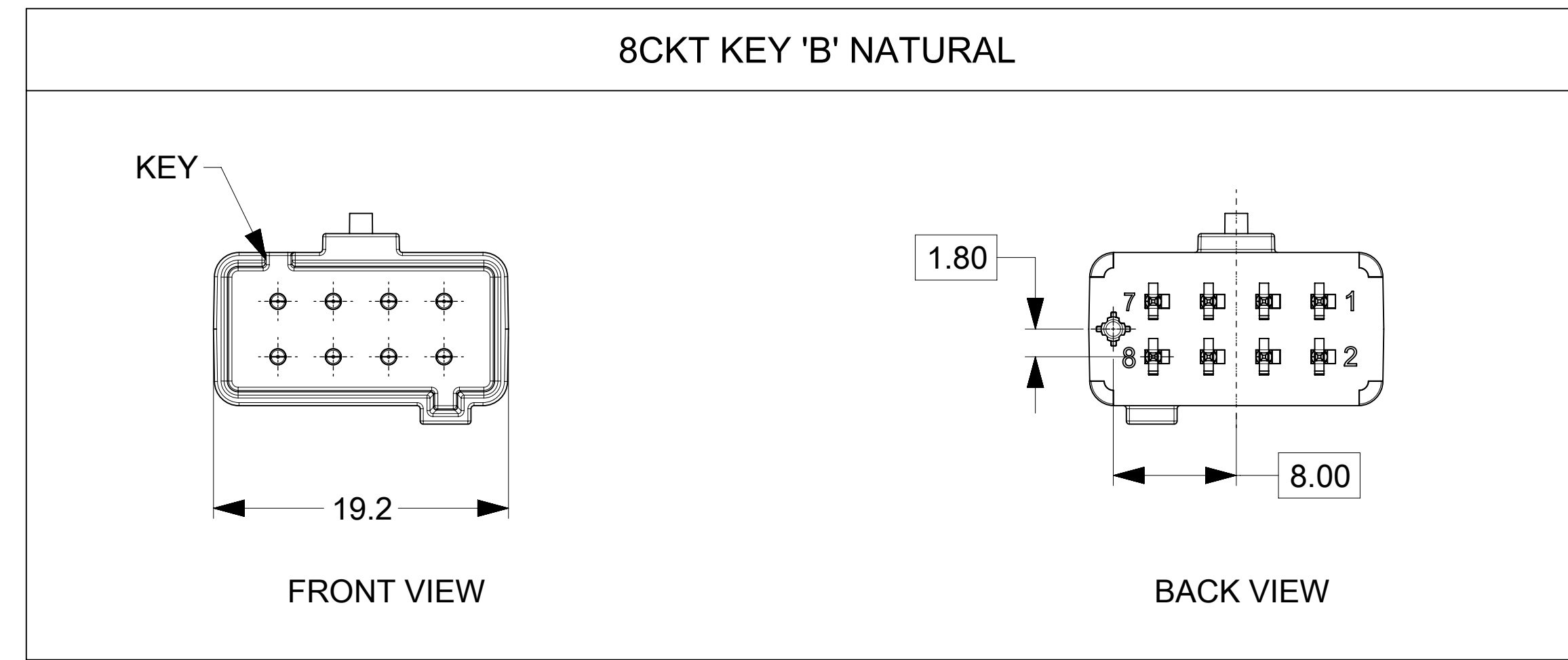
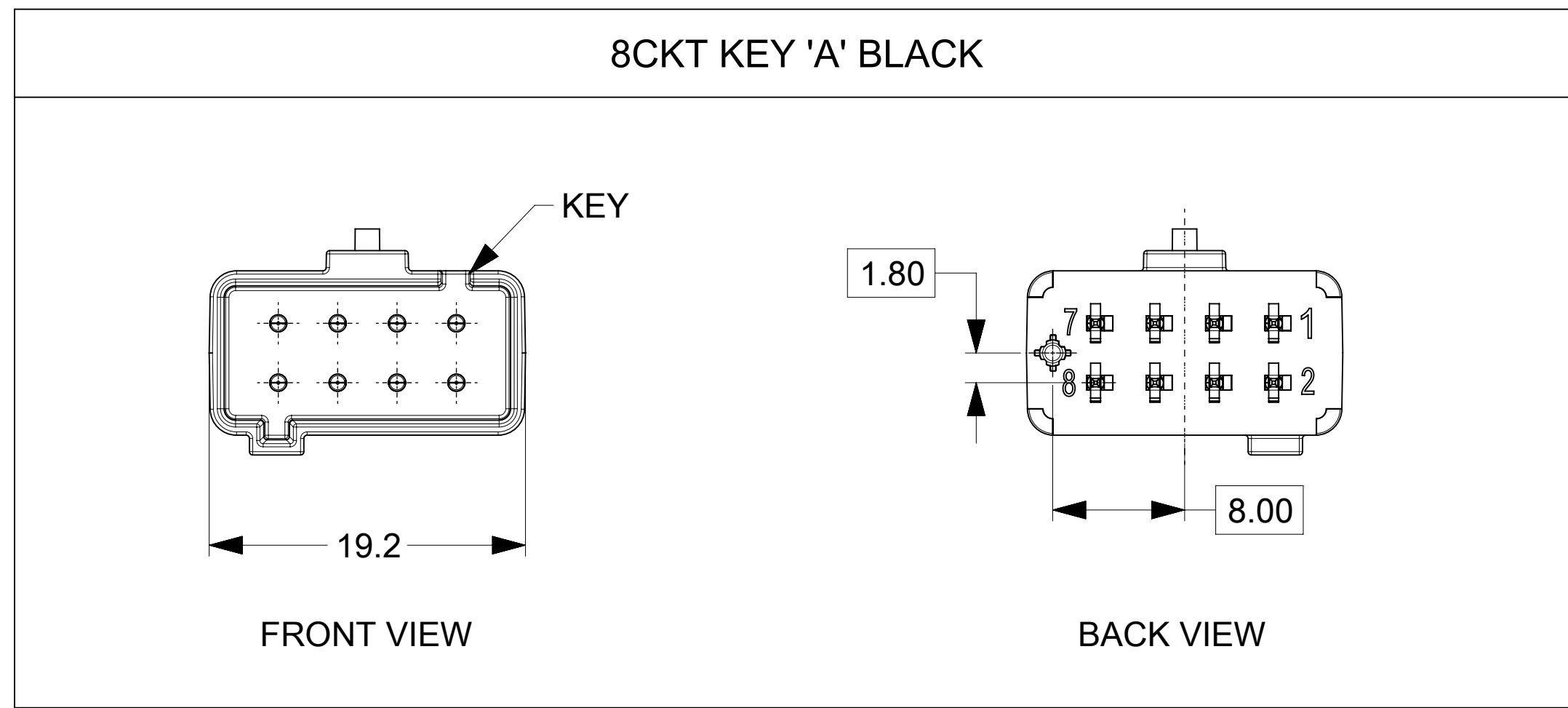
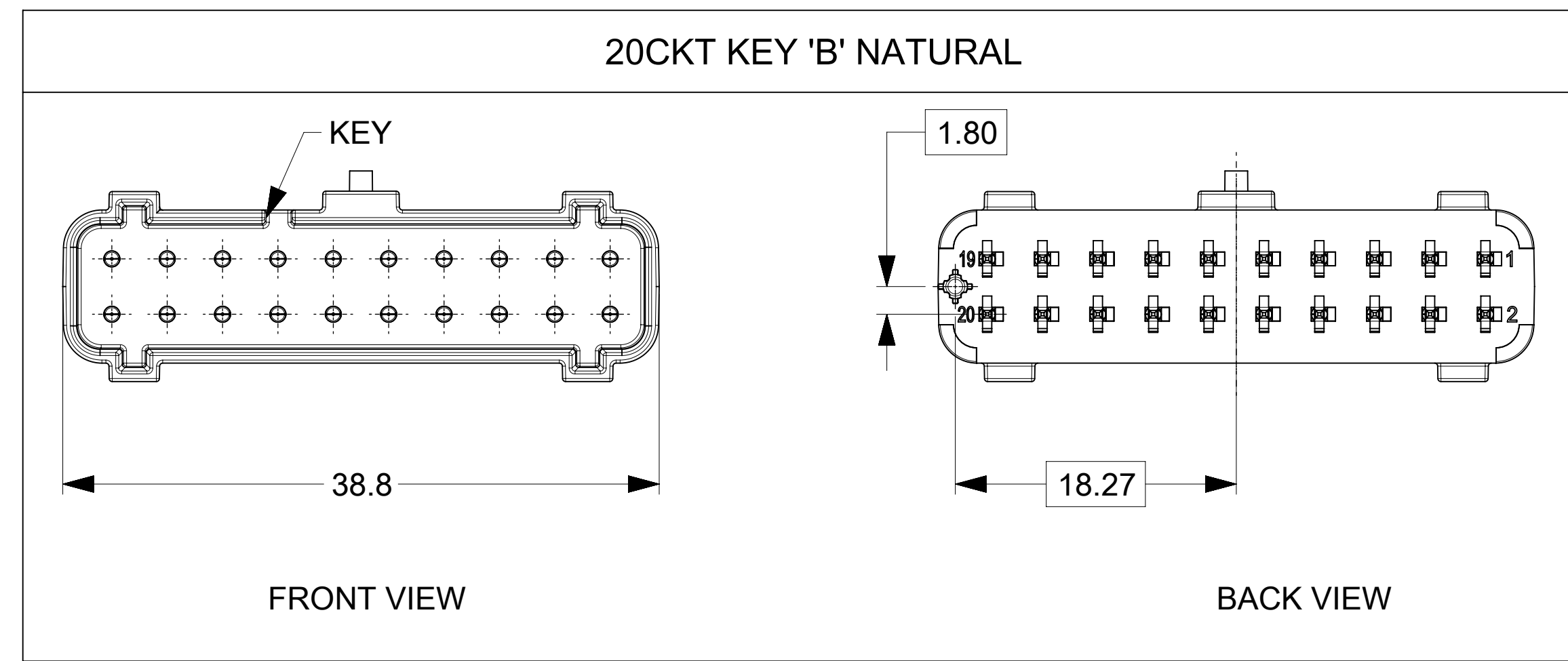
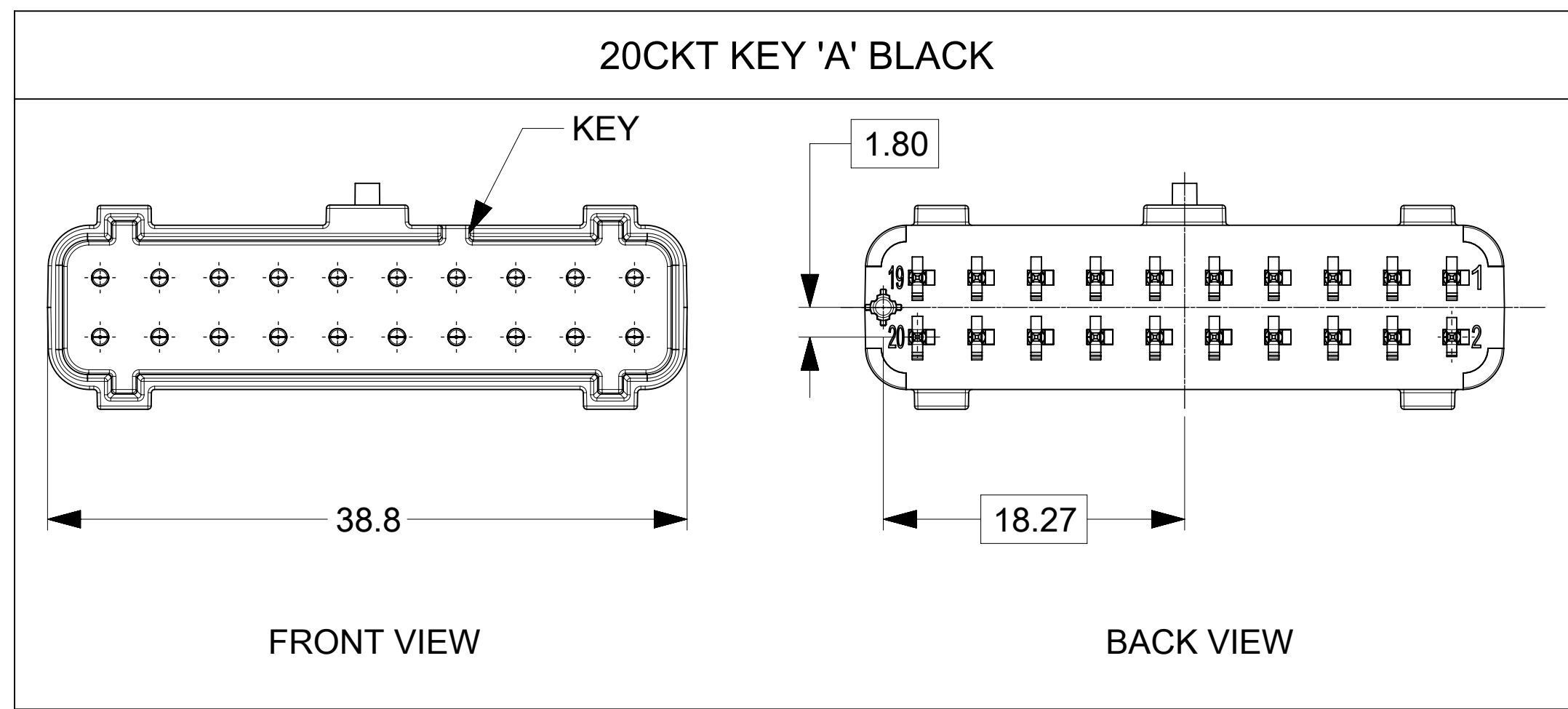


PCB HOLE PATTERN , MOUNTING SIDE



- NOTES:
1. HOUSING MATERIAL : LCP, UL RATED 94 V-0 ; COLOR: SEE TABLE
 2. TERMINAL MATERIAL: BRASS
 3. PLATING: 0.1µm GOLD OVER 0.9µm Ni Pd.
 4. MATES WITH RECEPTACLE HOUSING SERIES 205926
 5. PACKAGING SPECIFICATION: 2059270000-PK
 6. PRODUCT SPECIFICATION: 2059250000-PS
 7. APPLICATION SPECIFICATION: 2059250000-AS
 8. TEST SUMMARY: 2059250000-TS
 8. SOLDERABILITY PER JEDEC
 9. COSMETIC STANDARD PS-45499-002 CLASS B

THIS DRAWING CONTAINS INFORMATION THAT IS PROPRIETARY TO MOLEX ELECTRONIC TECHNOLOGIES, LLC AND SHOULD NOT BE USED WITHOUT WRITTEN PERMISSION		CURRENT REV DESC:		molex		
DIMENSION UNITS	SCALE					
mm	5:1			PRODUCT CUSTOMER DRAWING		
GENERAL TOLERANCES (UNLESS SPECIFIED)		EC NO: 618068		DOCUMENT NUMBER		
ANGULAR TOL	± °	DRWN: MRAMAKRISHNA 2019/05/27		2059271070-SD		
4 PLACES	±	CHK'D: NMANE02 2019/05/28		DOC TYPE DOC PART REVISION		
3 PLACES	±	APPR: MRAMAKRISHNA 2019/05/28		PSD 000 A1		
2 PLACES	± 0.25	INITIAL REVISION:		MATERIAL NUMBER CUSTOMER SHEET NUMBER		
1 PLACE	± 0.35	DRWN: MRAMAKRISHNA 2019/02/04		SEE TABLE GENERAL MARKET 1 OF 2		
0 PLACES	±	APPR: ISHWARG 2019/02/11				
DRAFT WHERE APPLICABLE MUST REMAIN WITHIN DIMENSIONS	THIRD ANGLE PROJECTION	DRAWING	SERIES			
		D-SIZE	205927			



NO.	TAIL LENGTH (P)	PART NUMBER	DESCRIPTION	DIM 'B'	DIM 'C'	DIM 'D'	DIM 'E'	HOUSING COLOR
1.	4.10 mm	2059271070	MULTICAT MID POWER VERTICAL HEADER 10X2 KEY A	19.11	Ø0.60	0.50	0.50	BLACK
2.		2059271071	MULTICAT MID POWER VERTICAL HEADER 10X2 KEY B					NATURAL
3.		2059271010	MULTICAT MID POWER VERTICAL HEADER 4X2 KEY A					BLACK
4.	2.90 mm	2059271011	MULTICAT MID POWER VERTICAL HEADER 4X2 KEY B	17.91	Ø0.76	0.64	0.60	NATURAL
5.		2059271170	MULTICAT MID POWER VERTICAL HEADER 10X2 KEY A					BLACK
6.		2059271171	MULTICAT MID POWER VERTICAL HEADER 10X2 KEY B					NATURAL
7.		2059271110	MULTICAT MID POWER VERTICAL HEADER 4X2 KEY A					BLACK
8.		2059271111	MULTICAT MID POWER VERTICAL HEADER 4X2 KEY B					NATURAL

THIS DRAWING CONTAINS INFORMATION THAT IS PROPRIETARY TO MOLEX ELECTRONIC TECHNOLOGIES, LLC AND SHOULD NOT BE USED WITHOUT WRITTEN PERMISSION

DIMENSION UNITS	SCALE	CURRENT REV DESC:		molex			
mm	3:1						
GENERAL TOLERANCES (UNLESS SPECIFIED)				MULTICAT MID POWER VERTICAL HEADER WTB			
ANGULAR TOL	±	°		PRODUCT CUSTOMER DRAWING			
4 PLACES	±			DOCUMENT NUMBER			
3 PLACES	±			DOC TYPE			
2 PLACES	±	0.25		DOC PART			
1 PLACE	±	0.35		REVISION			
0 PLACES	±			2059271070-SD			
DRAFT WHERE APPLICABLE MUST REMAIN WITHIN DIMENSIONS				PSD			
THIRD ANGLE PROJECTION				000			
DRAWING				A1			
SERIES				SEE TABLE			
D-SIZE				GENERAL MARKET			
205927				SHEET NUMBER			
				2 OF 2			