

MATERIAL: Self Extinguishing UL94VO THERMOPLASTICS

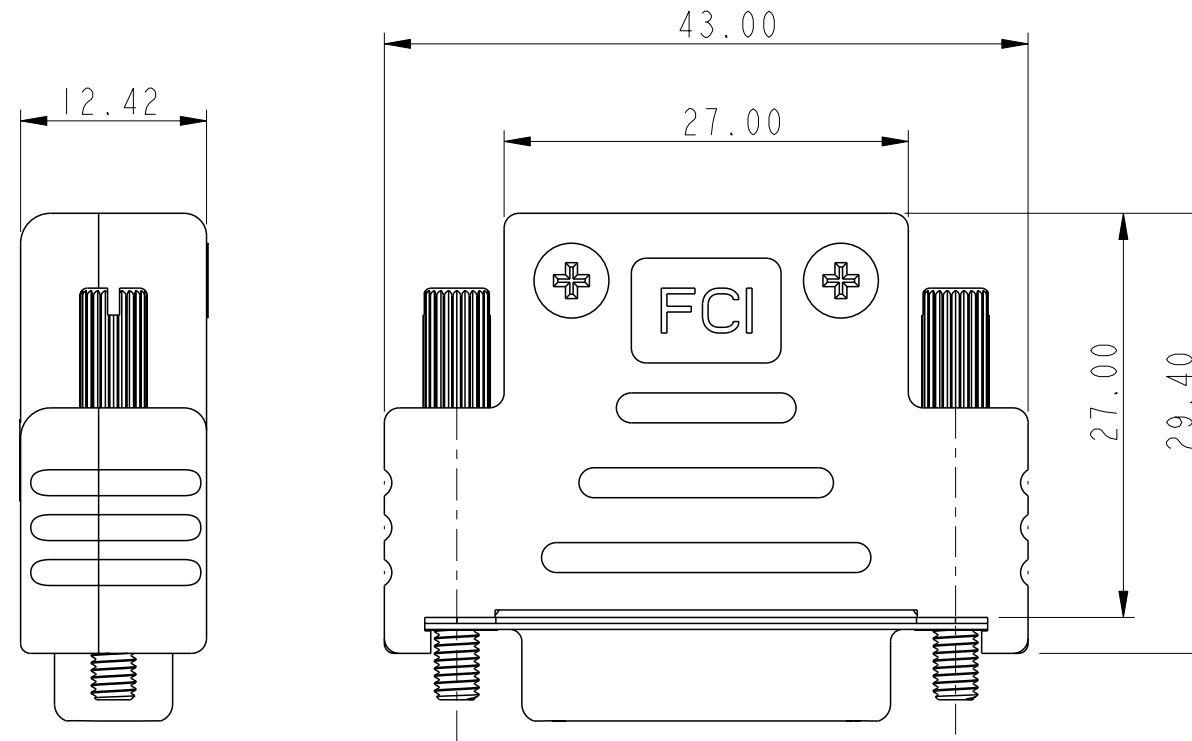
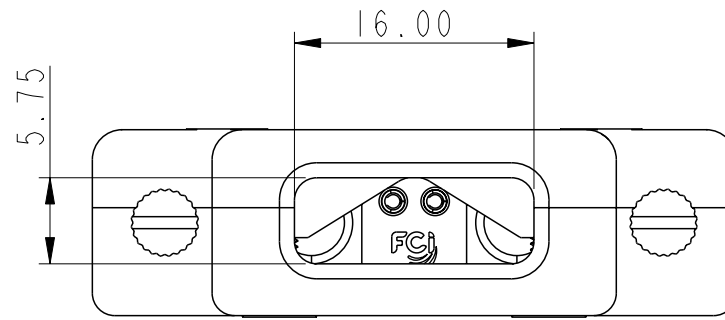
COLOUR : BLACK

TEMPERATURE RANGE : -55°C +105°C

LOCKING SCREWS : 4-40UNC THREAD

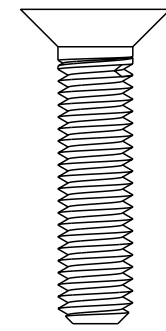
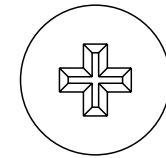
ROHS COMPLIANT

PART NO : 10070163-01LF



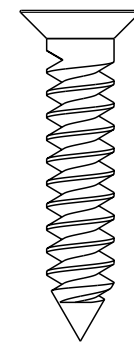
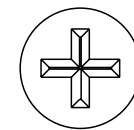
M3-CLAMP SCREW FOR STRAIN RELIEF

MATERIAL : STEEL  
FINISH : Zn PASSIVATION



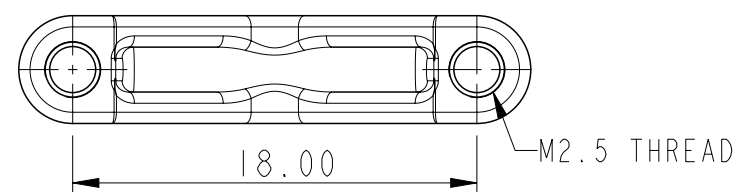
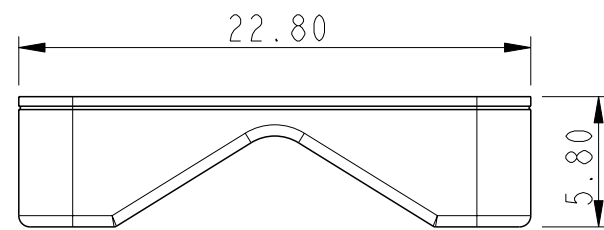
M3-CLAMP SCREW

MATERIAL : STEEL  
FINISH : Zn PASSIVATION



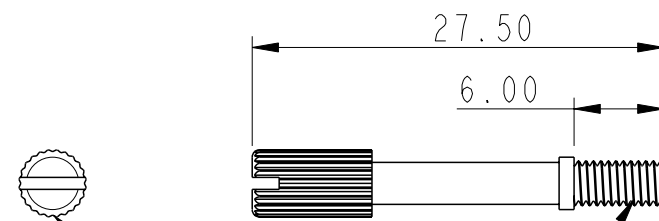
STRAIN RELIEF

MATERIAL : DIECAST-ZINC ALLOY



THUMB SCREW

MATERIAL : STEEL  
FINISH : NICKEL PLATING



Straight Knurling on  $\varnothing 4.5$   
4 40UNC THREAD

www.fciconnect.com			surface	-	tolerance std	projection	mm	
			ISO 1302	✓	ISO 406 ISO 1101			
			TOLERANCES UNLESS OTHERWISE SPECIFIED					
Dr	NIRMAL G	2007-02-21	ANGULAR	LINEAR	0.X	±0.3	size	Scale
Eng	NIRMAL G	2007-12-28			0.XX	±0.1	A3	2:1
Chr	ANISH S	2007-12-28	0°	±1°	0.XXX	±0.05	ECN	107-0179
Appr	BIJU K PAUL	2007-12-29	Product family		D-SUB	Spec ref		
			-ST. HOOD & ACCESSORIES			dwg no	10070163	Rev.
			-MicroTCA_48V CONNECTOR HOOD					A
			catalog no	SEE NOTES	CUSTOMER	sheet 1 of 1		

rev	ecn no	dr	date
A	107-0179	NG	2007-12-29
-	-	-	-
-	-	-	-
-	-	-	-
-	-	-	-



Copyright FCI.