

PRODUCT NUMBER  
77311-YYX-XXLF

ROHS COMPATIBLE  
SEE NOTE 6

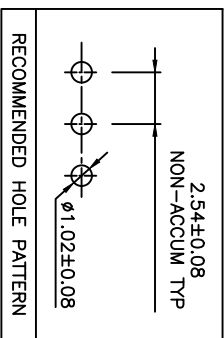
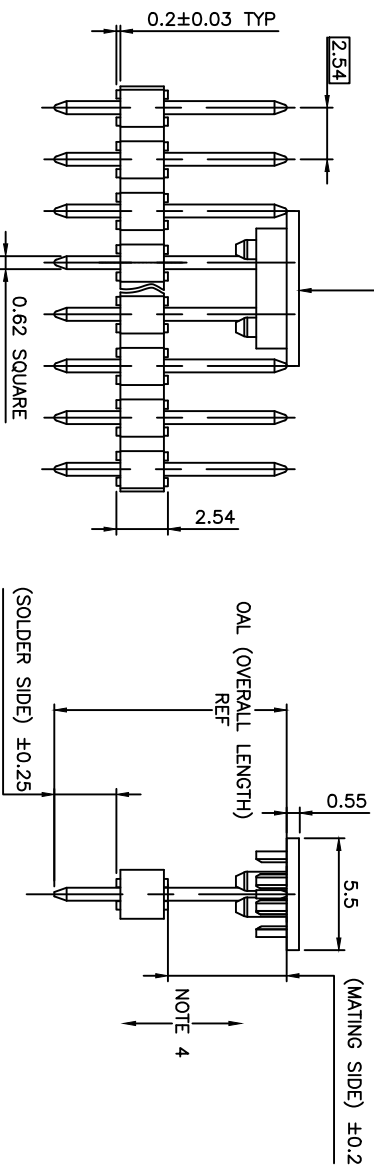
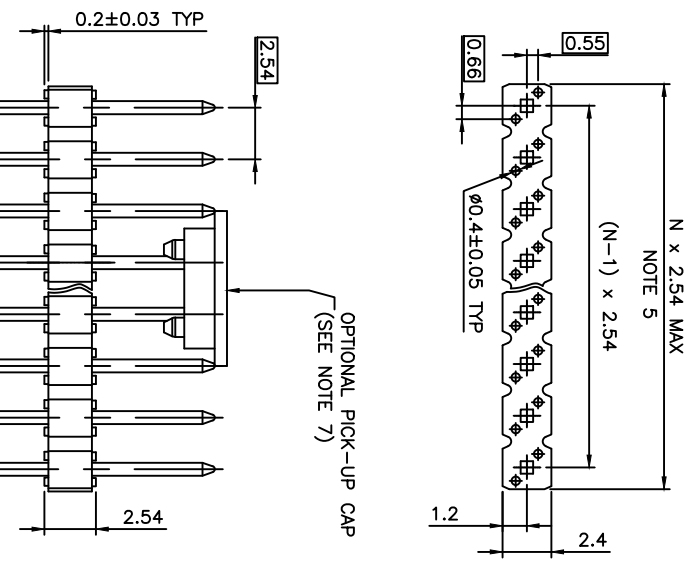
TOTAL NB OF POSITIONS 01 TO 36  
OPTION LETTER SEE SHEET 2

PRODUCT NUMBER (BERGSTRIIP PACKAGING)  
77311-YYX-00LF

PLATING \_\_\_\_\_ INDICATES THE PRODUCT IS ROHS COMPATIBLE, SEE NOTE 6  
POSITIONS PER REEL : 00=36,000 (BERGSTRIIP)

PIN STYLE	MATING	SOLDER	OAL
01	5.84	2.41	10.8
02	5.84	3.42	11.8
18	5.84	3.05	11.43
22	7.75	3.05	13.35
24	6.75	2.9	12.2
27	6.6	2.66	11.8

1= 0.76um GOLD/GRT ON CONTACT AREA, 2um TIN MIN ON TAILS  
8= 0.38um GOLD/GRT ON CONTACT AREA, 2um TIN MIN ON TAILS  
4= 2.0um TIN MIN FULL PLATED  
1.27um NICKEL MIN UNDERLAYER FOR ALL PLATING VERSIONS

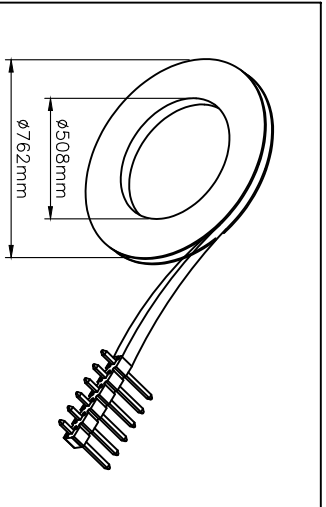


NOTES:  
1. HOUSING MAT'L : HIGH TEMPERATURE THERMOPLASTIC. UL94V-0 COLOR: BLACK  
2. PIN MATERIAL : PHOSPHOR BRONZE  
3. BERGSTRIIP PRODUCT PACKAGED IN POLYBAGS. BERGSTRIIP PRODUCT PACKAGED PER REELS.  
4. 9N MIN RETENTION IN EITHER DIRECTION  
5. TO DETERMINE DIMENSIONS :  
N = NUMBER OF POSITIONS PER ROW  
EXAMPLE : 8 POS N x 2.54 = 20.32mm  
6. ROHS COMPATIBLE PRODUCT SPECIFICATIONS

d - PLATING:  
- "LF" MEANS THE PRODUCT IS LEAD-FREE, 2um MINIMUM MATTE TIN OVER 1.27um MINIMUM NICKEL UNDERPLATE.

b - MANUFACTURING PROCESS COMPATIBILITY  
- THE HOUSING WILL WITHSTAND EXPOSURE TO 260°C ±5°C SOLDER BATH TEMPERATURE FOR 5 SECONDS IN A WAVE SOLDER APPLICATION WITH A 1.6mm MIN THICK CIRCUIT BOARD.  
- REFLOW COMPATIBLE

c - LABELING:  
- MEETS PACKAGING SPECS AS PER GS-14-920  
d - LEGAL STATEMENT: SEE GS-47-0004



BERGSTRIIP HEADER REEL PACKAGING DIMENSIONS

mat'l. code	SEE NOTES	surface	tolerance	projection	product family
1tr	ecn no dr ddt	ISO 1302	ISO 406 ISO 1101	mm	BERGSTRIIP
CW	F-38159 DDE 20.08.26	tolerances unless otherwise specified	X ±0.3	mm	UNSHR.HEADER
CX	F-39392 DDE 20.12.18	angles	.xx ±0.15	mm	STR SR TMT
CS	F-29484 DDE 18.03.08 dr	D.I.E	01.01.24	scale 5:1	
CT	F-31328 LMU 18.09.20 engr	J.M.C	01.01.24		
CU	F-33636 LMU 19.05.22 chr	J.M.C	01.01.24		
CV	F-35304 LMU 19.11.04 oppd	J.F.N	01.01.24		
sheet	revision CX BY M				
index	sheet 1 2 3				



PRODUCTS SPECIFICATIONS

PIN STYLE	MATING	SOLDER	OAL
01	5.84	2.41	10.8
02	5.84	3.42	11.8
03	5.72	5.09	13.35
05	5.72	10.14	18.4
08	5.72	17.78	26.04
11	5.72	5.94	14.20
15	8.51	2.55	13.6
18	5.84	3.05	11.43
19	12.83	3.03	18.4
20	15.37	3.04	20.95
22	7.75	3.05	13.35
24	6.75	2.9	12.2
25	8.51	3.18	14.22
27	6.6	2.65	11.8
26	15.57	2.84	20.95
29	17.5	3.46	23.5
32	10.3	3.05	15.9
38	5.84	3.82	12.2
39	11.2	3.05	16.8
46	8.08	2.98	13.6
54	8.08	3.81	14.43
58	14.47	3.05	20.06
62	13.5	3.05	19.09
70	6.54	3.50	12.57
83	20.46	3.00	26.00
85	5.72	8.51	16.76
87	6.98	3.05	12.57
91	5.6	10.21	18.35
92	5.65	12.76	20.95
93	6.00	4.81	13.35
94	15.60	3.20	21.25
95	10.00	8.45	20.95
96	10.95	3.05	16.55
97	9.00	3.55	15.09
98	3.00	1.35	6.84
99	24.00	3.05	29.50
AA	5.72	15.24	23.50
AB		N/A.08	2.79

PRODUCTS SPECIFICATIONS

PIN STYLE	MATING	SOLDER	OAL
AC	7.21	3.05	12.80
AD	17.53	3.43	23.50
AE	4.99	2.80	10.33
AF	5.72	3.05	11.30
AG	5.84	4.95	13.33
AH	14.31	3.20	20.05
AJ	8.90	3.40	14.85
AK	25.06	3.00	30.80
AL	3.30	3.30	9.14
AM	9.26	3.05	14.85
AN	7.60	4.40	14.47
AP	7.80	3.30	13.60
AR	18.86	2.41	23.81
AS	11.91	1.45	15.90
AT	4.60	4.60	11.61
AU	12.10	3.10	17.70
AV	6.30	6.30	15.10
AW	9.16	1.80	13.50
AX	5.08	2.43	10.05
AY	7.49	3.47	13.50
BA	8.08	2.75	13.37
BB	10.80	2.15	15.50
BC	8.08	3.81	14.43
BD	10.10	2.16	14.80
BE	13.65	2.41	18.60
BF	2.54	5.32	10.40
BG	4.98	1.85	9.23
BH	4.69	2.41	9.50
BJ	7.21	6.15	15.90
BK	6.86	2.65	12.05
BL	17.70	3.25	23.50
BM	10.96	3.70	16.20
BN	19.46	3.00	25.00
BP	8.80	3.20	14.50
BR	19.46	4.00	26.00
BS	5.72	11.05	19.30
BT	8.50	5.36	16.40
BU	3.80	3.80	10.14
BV	5.08	2.79	10.40
BW	7.36	2.30	12.20

NOTE 6

PRODUCTS SPECIFICATIONS

PIN STYLE	MATING	SOLDER	OAL
BX	2.67	3.43	8.60
BY	11.90	3.05	17.50

mat'l. code	surface	tolerance	projection	product family
	ISO 1302	ISO 406 ISO 1101		BERGSTIK

thr	ecn no	dr	date	tolerances unless otherwise specified	angles	linear	mm	scale	N/A
H	F-29484	DDE	18.03.08						
J	F-31328	LMU	18.09.20						
K	F-33636	LMU	19.05.22						
L	F-35304	LMU	19.11.04	AMA					
M	F-38159	DDE	20.08.26	engr					
G	F-28445	DDE	17.11.10	pppd					

sheet	revision	thr	J.CO	AMA	15.10.08	15.10.08	15.10.08	Amphenol FCI	77311	sheet 3 of 3	size
index	sheet			A.SO	15.10.08				CUSTOMER	Drawing	A3

mat'l. code	surface	tolerance	projection	product family
	ISO 1302	ISO 406 ISO 1101		BERGSTIK