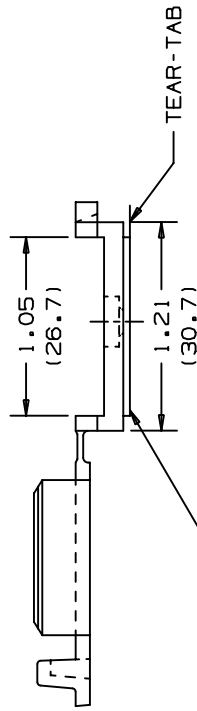
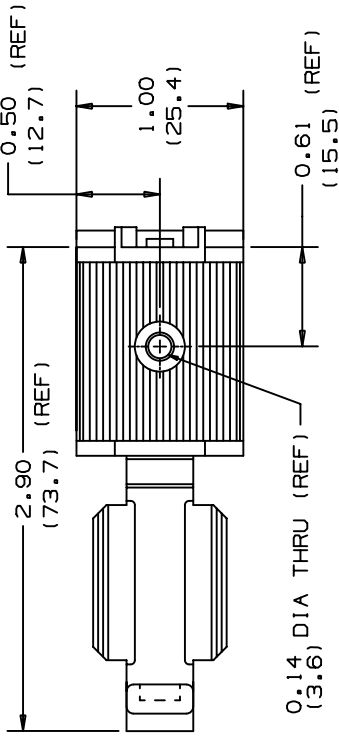


THIS COPY IS PROVIDED ON A RESTRICTED BASIS AND IS NOT TO BE USED IN ANY WAY DETRIMENTAL TO THE INTERESTS OF PANDUIT CORP.

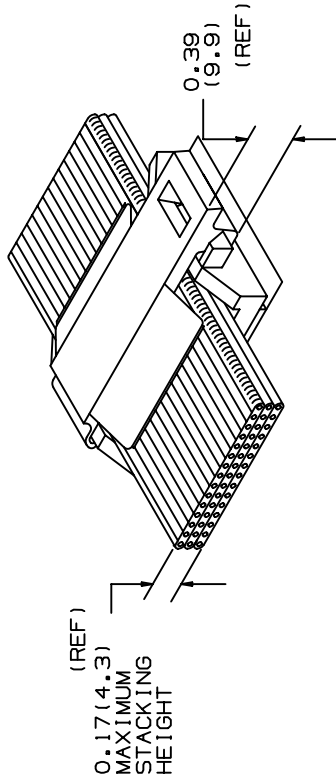


ADHESIVE TAPE: PRESSURE SENSITIVE FOAM 0.040 (1.02) THICK WITH RUBBER ADHESIVE AND PROTECTIVE LINER. MOUNT IS DESIGNED TO SUPPORT .50 lbs. (227g) MAXIMUM WEIGHT ON A CLEAN, DRY, SMOOTH, GREASE-FREE SURFACE.

- NOTES:
- SEE CURRENT PRICE SHEET FOR PART NUMBER SUFFIX DESIGNATION FOR PACKAGE SIZE AND PART COLOR.
 - TO APPLY ADHESIVE MOUNT:
 - REMOVE PROTECTIVE LINER;
 - PLACE IN DESIRED LOCATION;
 - APPLY PRESSURE TO TOP OF MOUNT.
 - (-A) REPRESENTS ADHESIVE MOUNT.

NO WARRANTY, EXPRESSED OR IMPLIED, IS MADE BY PANDUIT WITH RESPECT TO ADHESIVE BOND PERFORMANCE. AMONG OTHER THINGS, THE CONDITIONS UNDER WHICH THESE MOUNTS MAY BE APPLIED AND/OR THE SURFACE TO WHICH THEY MAY BE APPLIED ARE BEYOND PANDUIT'S CONTROL.

PANDUIT PART No.	MATERIAL	REC'M. SCREW FASTENER	WEIGHT lbs./100 (g)/100 PCS.
FCM1-A	NYLON 6/6	N/A	0.85 (386)
FCM1-S6	SEE NOTE 1	#6(M3) SHCS OR BUTTON HD.	0.80 (363)
FCM1-S6--30	HEAT STABILIZED BLACK NYLON		0.78 (353.5)



(DIMENSIONS IN PARENTHESES ARE IN METRIC.)

CAD FILENAME/LAYERS G00239GR_PB_FCM1_02



TINLEY PARK, ILLINOIS

1 INCH FLAT CABLE MOUNT (FCM1- - - -)

UNLESS OTHERWISE SPECIFIED, DIMENSIONAL TOLERANCES ARE:
 (-.X) ±N/A
 (+.XXX) ±N/A
 (+.XX) ±.020(.5) ANGLES ±.5°

UNLESS OTHERWISE SPECIFIED, ALL DIMENSIONS ARE GIVEN IN INCHES, THIRD ANGLE PROJECTION.

DRAWN BY JAD

MAT'L: FULL

DATE 8/14/00

SEE TABLE

CHK'D

DWG NO. GBO239GR

ECN - R

SIZE A

REV	DATE	BY	CHK	DESCRIPTION	ECN	R	CUST	SUP
2	7/24/01	LG6		UPDATED FOR WEB	GBO239GR	2		
1	9-1-00	CGSM		ADDED DIA THRU HOLE REF DIMENSION	GBO239GR	1		
R	8/14/00	JAD		INITIAL RELEASE, REPLACES SS-15493 RV.1	GBO239GR	R		