

PRODUCT DESCRIPTION CODE :

10143578-1XXK LF

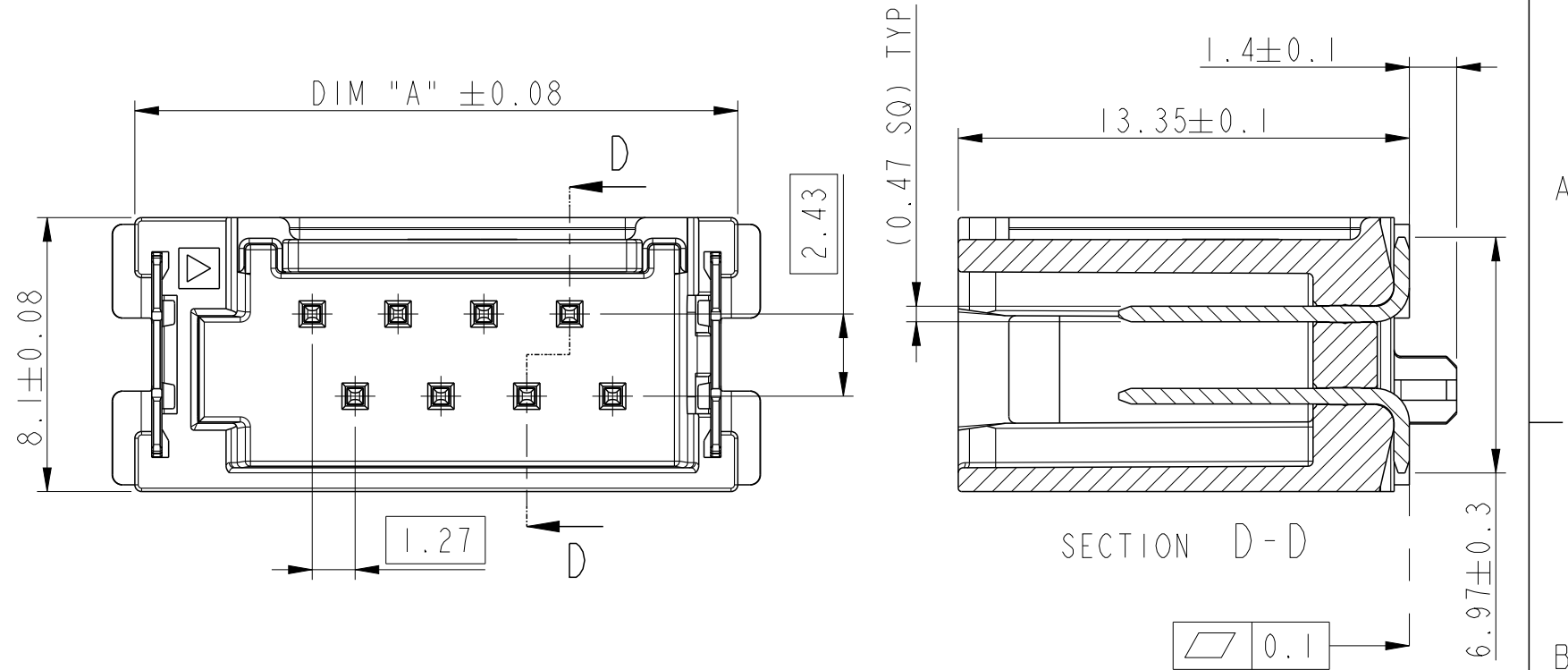
RoHS COMPATIBLE, SEE NOTE 3

FOR CUSTOMER CODE :  
BLANK = GENERAL USE

PACKAGING :  
K = TAPE & REEL

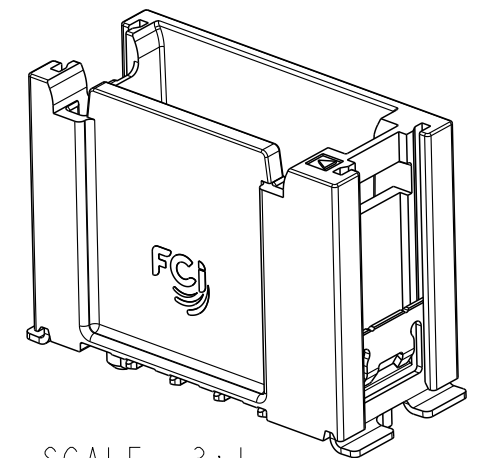
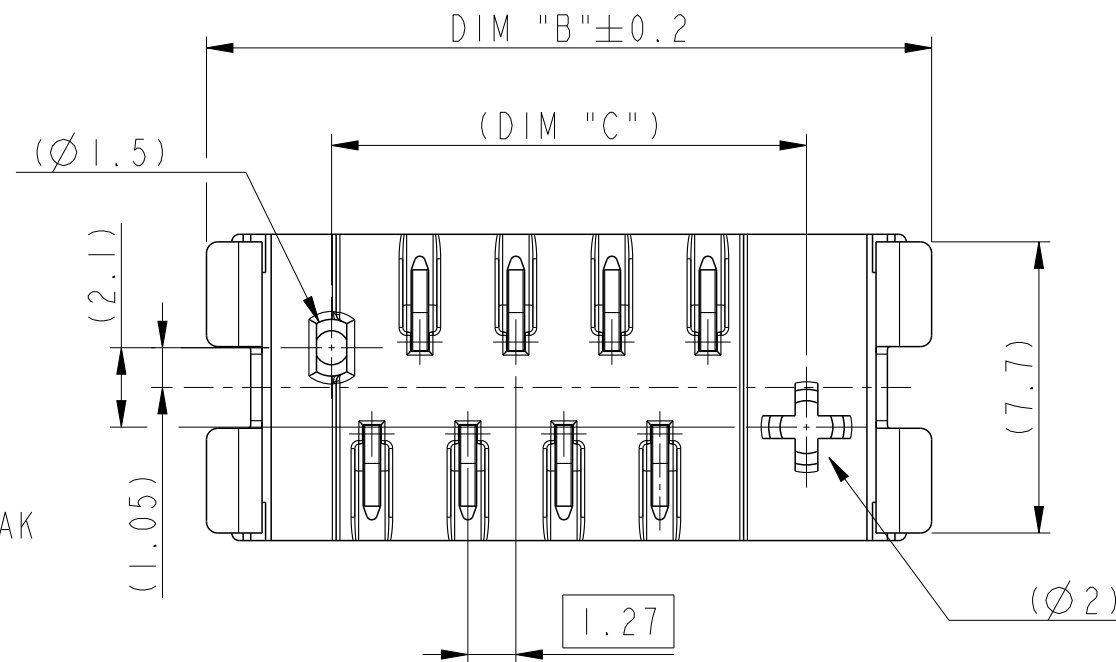
NUMBER OF POSITIONS : 02 TO 16

PLATING :  
1 = 3µm MIN MATTE TIN (PREPLATED)  
2 = 3µm MIN MATTE TIN (POST-PLATED)  
ALL OVER 1.27µm MIN NICKEL UNDERLAYER



NOTES:

- 1 - MATERIAL:  
HOUSING : HIGH TEMPERATURE THERMOPLASTIC  
COLOR BLACK UL94 V-0  
PIN : HIGH CURRENT COPPER ALLOY
- 2 - TO MATED WITH MINITEK µSPACE RECEPTACLE SERIES 10142632
- 3 - RoHS COMPATIBLE PRODUCT SPECIFICATIONS
  - a - PLATING:  
"LF" MEANS THE PRODUCT IS LEAD FREE,  
3µm MINIMUM MATTE TIN OVER 1.27µm MINIMUM NICKEL UNDERPLATE.
  - b - MANUFACTURING PROCESS COMPATIBILITY:  
THE HOUSING WILL WITHSTAND EXPOSURE TO 260°C PEAK TEMPERATURE FOR 30 SECONDS MAX IN A CONVECTION, INFRA-RED OR VAPOR PHASE OR REFLOW OVEN.
  - c - LABELLING :  
MEETS PACKAGING SPECS AS PER GS-14-920
  - d - LEGAL STATEMENT :  
SEE GS-47-0004.

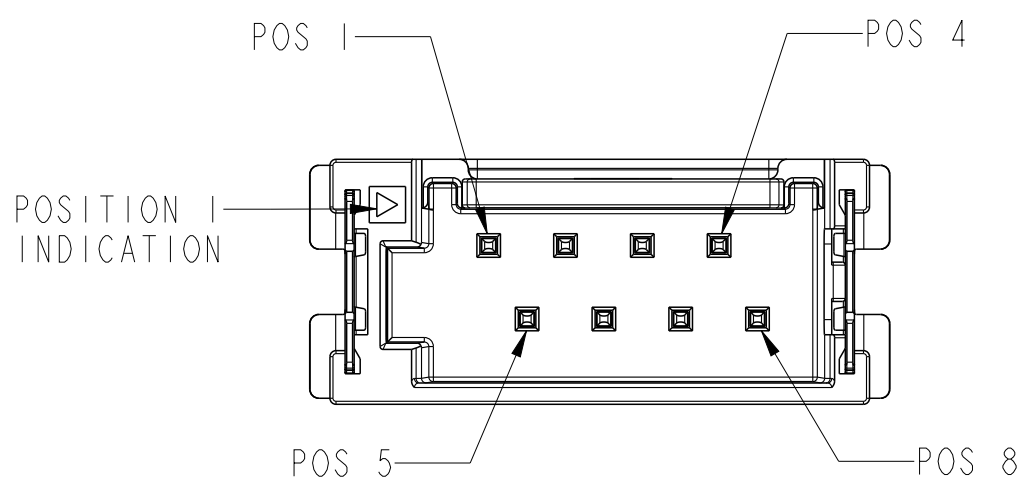


SCALE 3:1

spec ref	GS-12-1422	dr	Ramu P	2018/07/10	projection	mm	size	A3	scale	5:1
tolerance std	ISO 406 ISO 1101	eng	Cyril Jeune	2018/07/27			ecn no	-	rel level	Released
TOLERANCES UNLESS OTHERWISE SPECIFIED		chr	Hyppias, Arnau	2018/07/26						
surface	linear	0.X	±0.3		product family		dwg no	10143578	rev	A
		0.XX	±0.10		HEADER ASSEMBLY					
		0.XXX	±0.005		MINITEK µSPACE VERT. STG SIDE LATCH					
	angular	0°	±2°	cat. no.	-	Product - Customer Drw	sheet 1 of 3			

1 2 3 4

PART NO	NO. OF POSN	DIM "A"	DIM "B"	DIM "C"
10143578-102KLF	02	10.22	11.56	04.94
10143578-103KLF	03	11.49	12.83	06.21
10143578-104KLF	04	12.76	14.10	07.48
10143578-105KLF	05	14.03	15.37	08.75
10143578-106KLF	06	15.30	16.64	10.02
10143578-107KLF	07	16.57	17.91	11.29
10143578-108KLF	08	17.84	19.18	12.56
10143578-109KLF	09	19.11	20.45	13.83
10143578-110KLF	10	20.38	21.72	15.10
10143578-111KLF	11	21.65	22.99	16.37
10143578-112KLF	12	22.92	24.26	17.64
10143578-113KLF	13	24.19	25.53	18.91
10143578-114KLF	14	25.46	26.80	20.18
10143578-115KLF	15	26.73	28.07	21.45
10143578-116KLF	16	28.00	29.34	22.72



POSITION NUMBER INDICATION FOR 8POS VERSION

Amphenol  
FCi

© 2016 AFCI

spec ref	GS-12-1422	dr	Ramu P	2018/07/10	projection	mm	size	A3	scale	6:1
tolerance std	ISO 406 ISO 1101	eng	Cyril Jeune	2018/07/27			ecn no		-	
TOLERANCES UNLESS OTHERWISE SPECIFIED		chr	Hyppias, Arnau	2018/07/26			rel level		Released	
surface	linear	0.X	±0.3	appr	Aymeric Soudy	2018/07/27	product family		-	
		0.XX	±0.10	Amphenol FCi		HEADER ASSEMBLY		dwg no		10143578
		0.XXX	±0.005			MINITEK μSPACE VERT. STG SIDE LATCH		rev		A
ISO 1302	angular	0°	±2°	cat. no.		-	Product - Customer Drw		sheet 2 of 3	

A

B

C

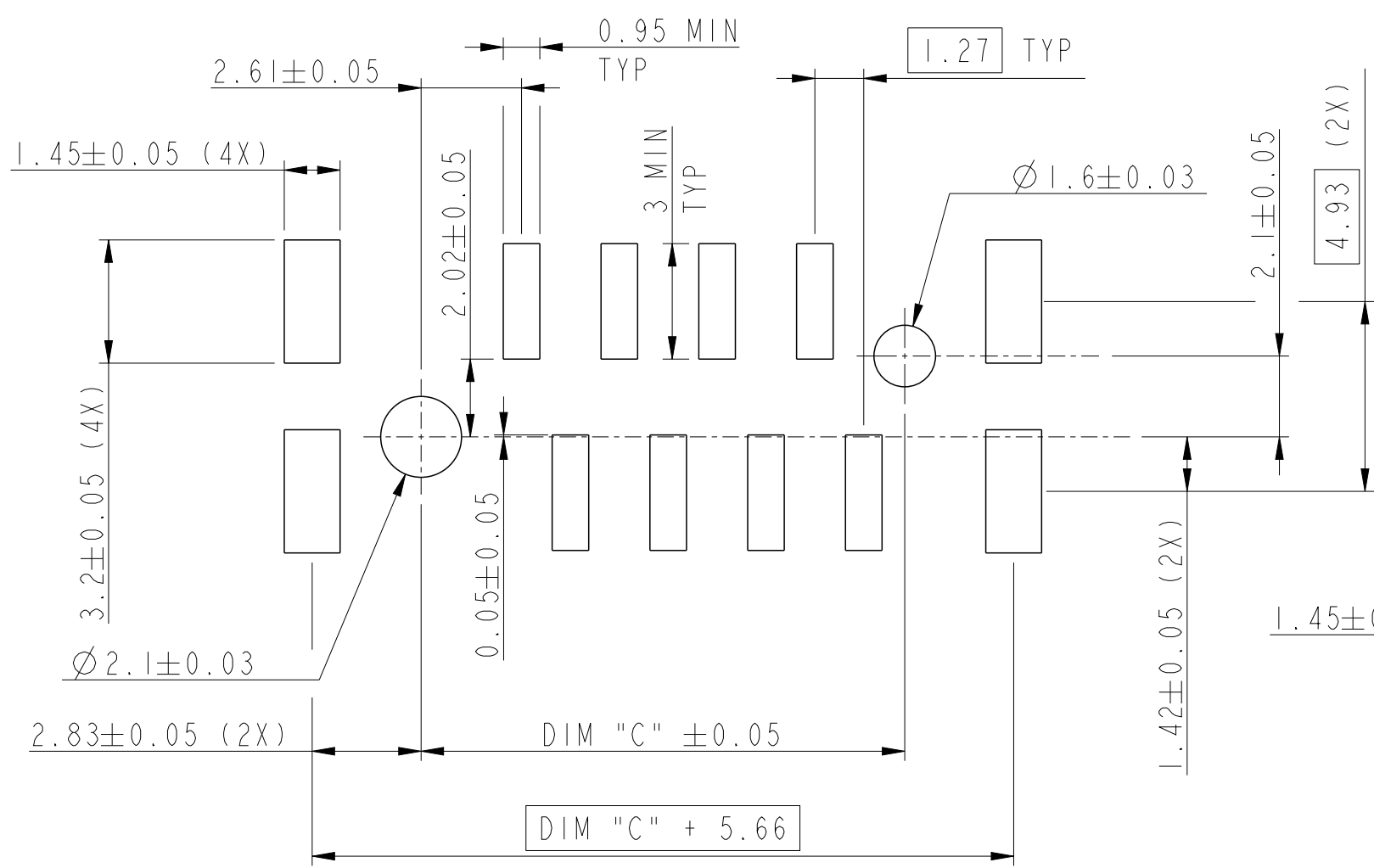
D

A

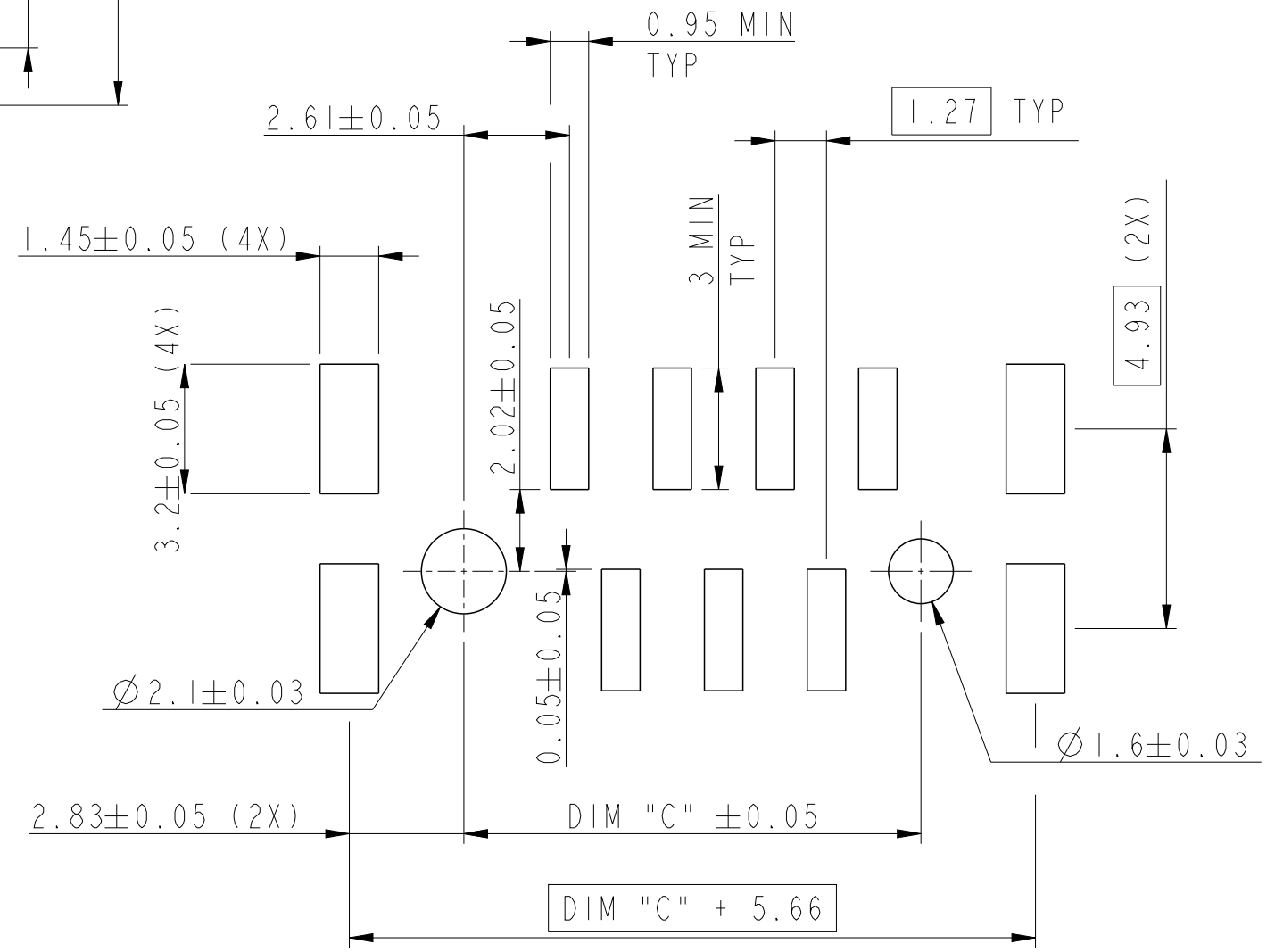
B

C

D



RECOMMENDED PCB LAYOUT FOR 02, 04, 06, 08, 10, 12, 14, 16 POS



RECOMMENDED PCB LAYOUT FOR 03, 05, 07, 09, 11, 13, 15 POS

spec ref	GS-12-1422	dr	Ramu P	2018/07/10	projection	mm	size	A3	scale	5:1			
tolerance std	ISO 406 ISO 1101	eng	Cyril Jeune	2018/07/27			ecn no		-				
TOLERANCES UNLESS OTHERWISE SPECIFIED		chr	Hyppias, Arnau	2018/07/26			rel level		Released				
surface	linear	0.X	±0.3	appr	Aymeric Soudy	2018/07/27	product family		-	rel level	Released		
		0.XX	±0.10	Amphenol FCi		title		HEADER ASSEMBLY		dwg no	10143578	rev	A
		0.XXX	±0.005					MINITEK μSPACE VERT. STG SIDE LATCH					
	angular	0°	±2°					cat. no.		-	Product - Customer Drw		sheet 3 of 3