

THIS DRAWING IS UNPUBLISHED.

RELEASED FOR PUBLICATION

2006

© COPYRIGHT 2006 BY -

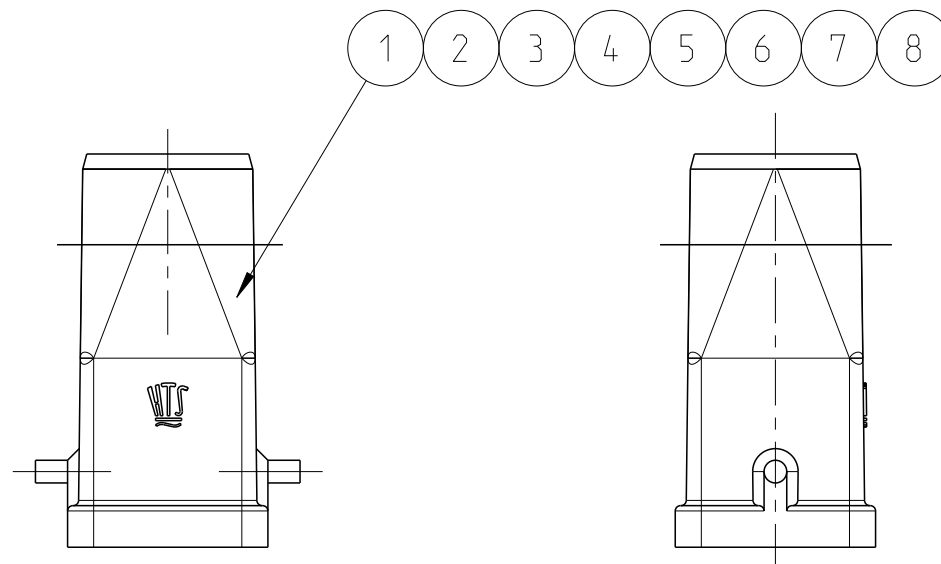
ALL RIGHTS RESERVED.

REVISIONS

P	LTR	DESCRIPTION	DATE	DWN	APVD
A11		ECR-13-015411	11OCT2013	GSK	MKO
A12		ECR-13-019172	18DEC2013	KR	MKO
A13		ECR-14-012657	08SEP2014	RK	MKO
A14		REVISED PER ECR-17-014013	03JAN2018	SRG	MKO

NOTES

- 1 MATERIAL: ZINC DIECAST
- 2 COLOR: - VARNISH GREY
- VARNISH BLACK
- METALLIC SILVER
- 3 VARNISH ON THE INSIDE NOT NECESARILY
- 4 SPECIAL PACKAGING
PACKAGING QUANTITY 100 PIECES
- 5 PACKAGING QUANTITY 10 PIECES



OBSOLETE									DESCRIPTION	MATERIAL	SURFACE	COLOR	ITEM	NOTES
1									HOOD HA.3	ZINC DIECAST		BLACK	8	M20
	1								HOOD HA.3	ZINC DIECAST		WITHOUT VARNISH	7	M20
		1							HOOD HA.3	ZINC DIECAST	BLUE PASSIVATION	METALLIC SILVER	6	M20
			1						HOOD HA.3	ZINC DIECAST	BLUE PASSIVATION	BLACK	5	M16
				1					HOOD HA.3	ZINC DIECAST	BLUE PASSIVATION	WITHOUT VARNISH	4	M16
					1				HOOD HA.3	ZINC DIECAST		GREY	3	M20
						1			HOOD HA.3	ZINC DIECAST		BLACK	2	M16
							1		HOOD HA.3	ZINC DIECAST		GREY	1	M16
0-9	0-8	0-7	0-6	0-5	0-4	0-3	0-2	0-1						
									HA.3.STO.1.M16.Z		5			
									HA-K.3.STO.1.M16.Z		5			
									HA.3.STO.1.M20.Z		5			
									HA.3.STO.1.M16.Z.KM		4			
									HA-EMV.3.STO.1.M16.Z		5			
									HA-EMV-K.3.STO.1.M16.Z		5			
									HA-EMV-K.3.STO.1.M20.Z		5			
									HA-EMV.3.STO.1.M20.Z		5			
									HA-K.3.STO.1.M20.Z		5			

THIS DRAWING IS A CONTROLLED DOCUMENT.

DWN 09MAR2010 R.SCHNEIDER

CHK 09MAR2010 T.SCHNURPFEL

APVD -

NAME

HOOD ASSY HA.3

PRODUCT SPEC -

APPLICATION SPEC -

SIZE CAGE CODE DRAWING NO RESTRICTED TO

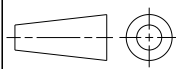
A3 00779 C-1106405

CUSTOMER DRAWING

SCALE 5:1 SHEET 1 OF 1 REV A14

DIMENSIONS:

mm



TOLERANCES UNLESS OTHERWISE SPECIFIED:

- 0 PLC ±
- 1 PLC ±
- 2 PLC ±
- 3 PLC ±
- 4 PLC ±
- ANGLES ±1°
- FINISH -

MATERIAL -

-

