

SPEEDYRJ45 Crimp Tool



Crimp Tool (TRCSPDY3)

This high performance crimp tool is designed for professional installers using **SPEEDY** RJ45 plugs. This superior quality tool has been specially designed to ensure that terminations are not only faster than using other plugs but also consistent, reliable and repeatable.

Features

- Crimps **SPEEDY** RJ45 Category 5, Category 6 and Category 6 two tier high performance 8p8c plugs
- On **SPEEDY** RJ45, crimps and trims surplus wires in a single operation, with a neat, flush finish
- Compact design enables convenient single-handed crimping
- Built in cutter and strippers cater for both flat and round cables (especially Category 6)
- Die-cast die head provides all round connector support and enables a uniform crimp force
- Every termination meets FCC specifications
- ALSO - crimps standard 8p8c (RJ45) plugs
- Note: For ease of use, it is recommended that the blade for trimming the surplus wires is replaced after 500 uses

Specifications

- **Materials:**
 - Tool body: Plastic ABS (Black)
 - Grip: PVC (Pantone 186C Red)



Handles side plates: stamped steel (black oxide)
Blades: tool steel
Die head: die-cast zinc alloy
Other metal components: steel (black oxide)

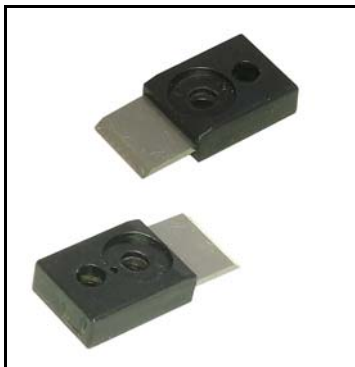
- Colour: red/black
- Weight: 308g

Packaging

Supplied in white boxes

Note: TRCSPDY3 is not permitted for sale in the USA

Replacement Blades



Cutting blades for TRCSPDY3 crimp tool (TBSPDY3)

Supplied as a pack of two cutting blades, this replacement blade kit ensures that crimping performance levels are maintained throughout the life of this **SPEEDY** RJ45 crimp tool.

Note: For optimum performance and ease of use, It is recommended that this blade is renewed on the tool after every 500 terminations

Features

- High performance cutting blade guarantees a flush wire trim on extended conductors

Specifications

- Material: tool steel

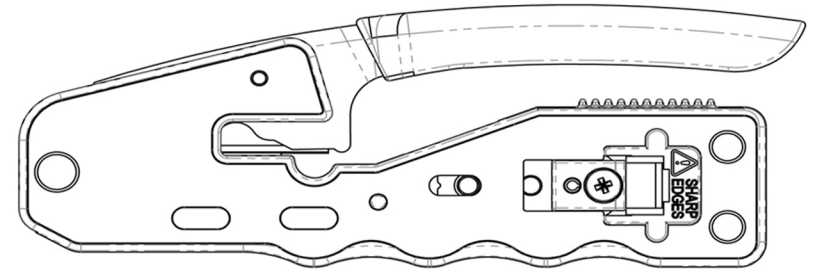
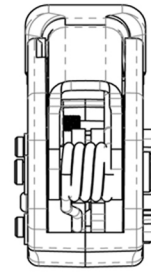
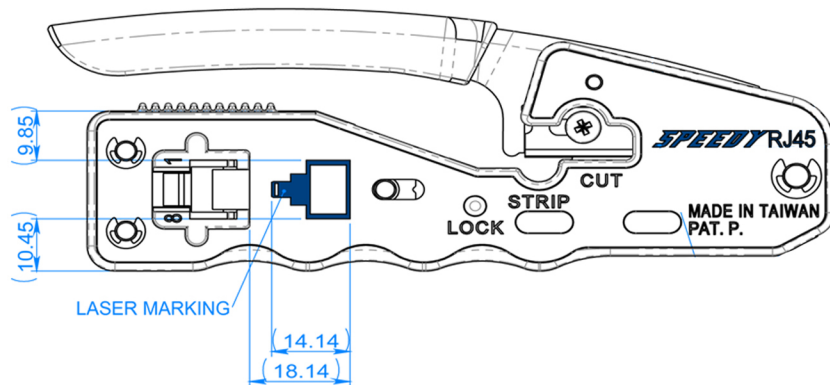
Packaging

Supplied in a pack of 2, then in packs of 10



ROHS Compliant

Code: TRCSPDY3



MATERIAL:

1. Body: Plastic ABS (Black)
2. Grip: PVC (Pantone 186C Red)
3. Handles, side plates: stamped steel (black oxide)
4. Die head: die-cast zinc alloy
5. Other metal components: steel (black oxide)

All dimensions ,millimeters
Unless otherwise specified.
Dimensional tolerances are:
0 - 6mm ±0.1
6 - 30mm ±0.2
30 - 120mm ±0.3

