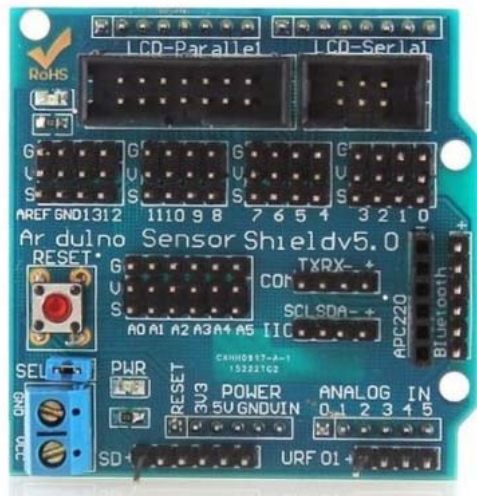


# Arduino Sensor Shield V5.0

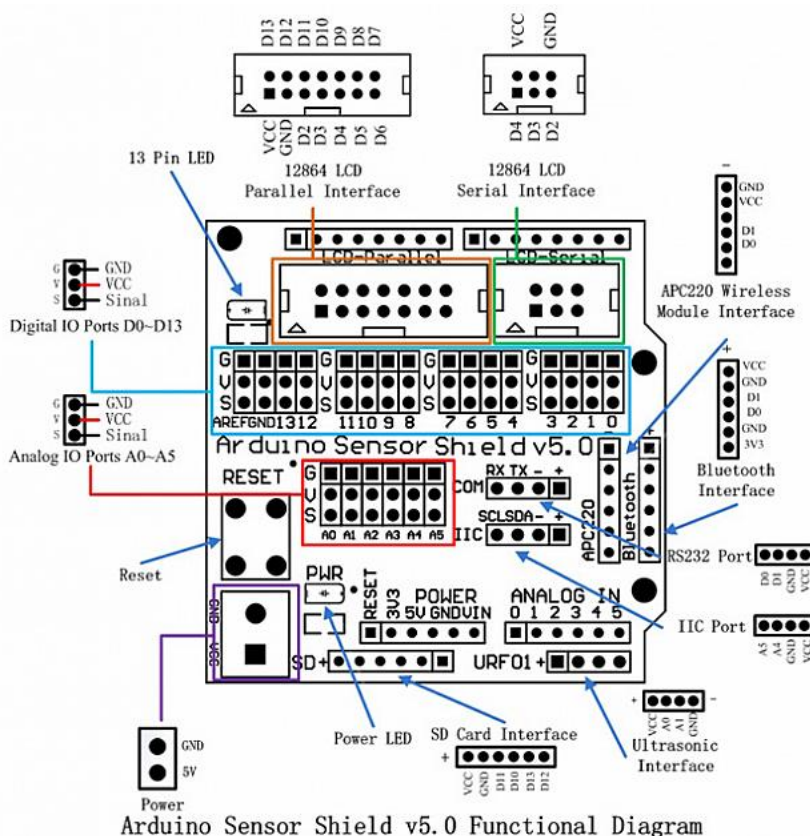


## Description

The Arduino sensor shield allows you to connect to various modules like sensors, servos, relays, buttons, potentiometers etc. to your Arduino Uno. Each pin has a corresponding VCC and GND pin to easily connect a module and supply power to it.

### External power support

An extremely useful feature is that this shield accepts external power for that high power demanding devices like servos and motors. Next to the power input is a jumper that is used to select between internal power (from your Arduino) and external power.



### Arduino sensor shield technical specifications

1. PIN13 LED Pilot
2. Digital IO Ports D0-D13
3. Analog IO Ports A0-A5
4. Reset Button
5. Power In

6. Power LED
7. LCD Parallel Interface
8. LCD Serial Interface
9. UART interface
10. SD interface
11. Bluetooth Interface

**Key Features:**

I2C interface  
Bluetooth module communication interface  
SD card module communication interface  
APC220 wireless RF modules communication interface  
RB URF V1.1 ultrasonic sensors interface  
12864 LCD serial and parallel interface  
32 servo controller interfaces

**Dimensions:** Depth 57mm, Height 19mm, Width 57mm, Weight 25g