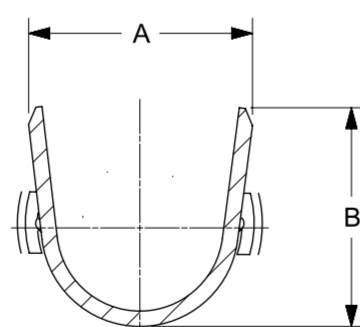
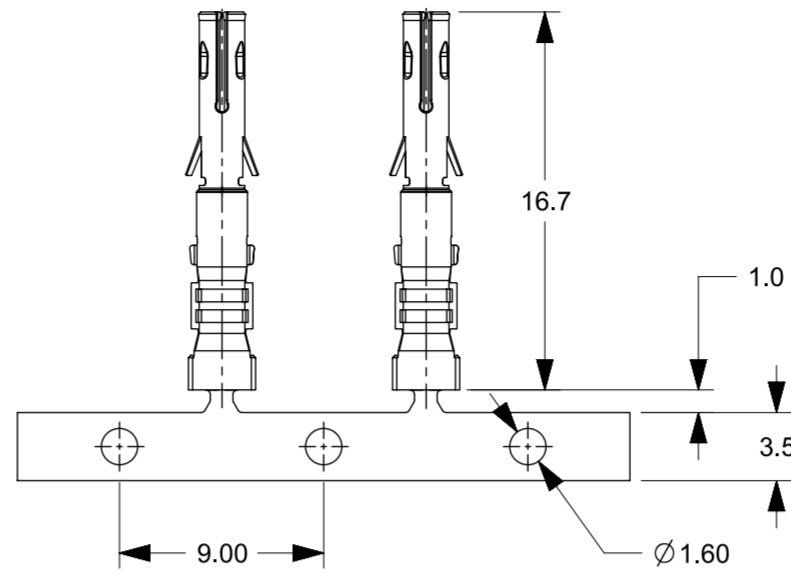


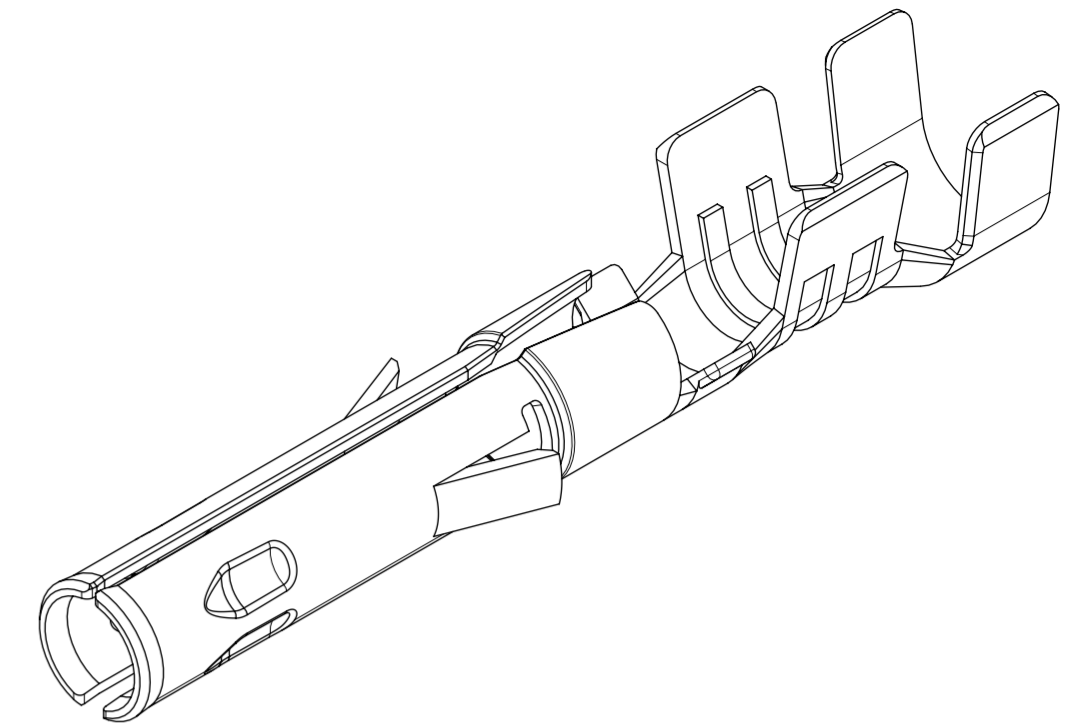
SECTION C-C



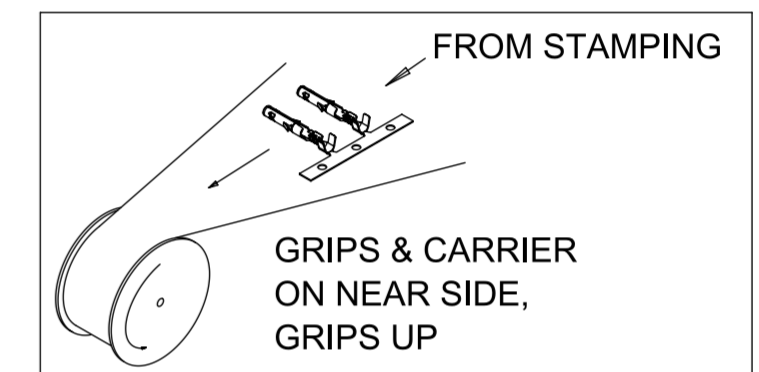
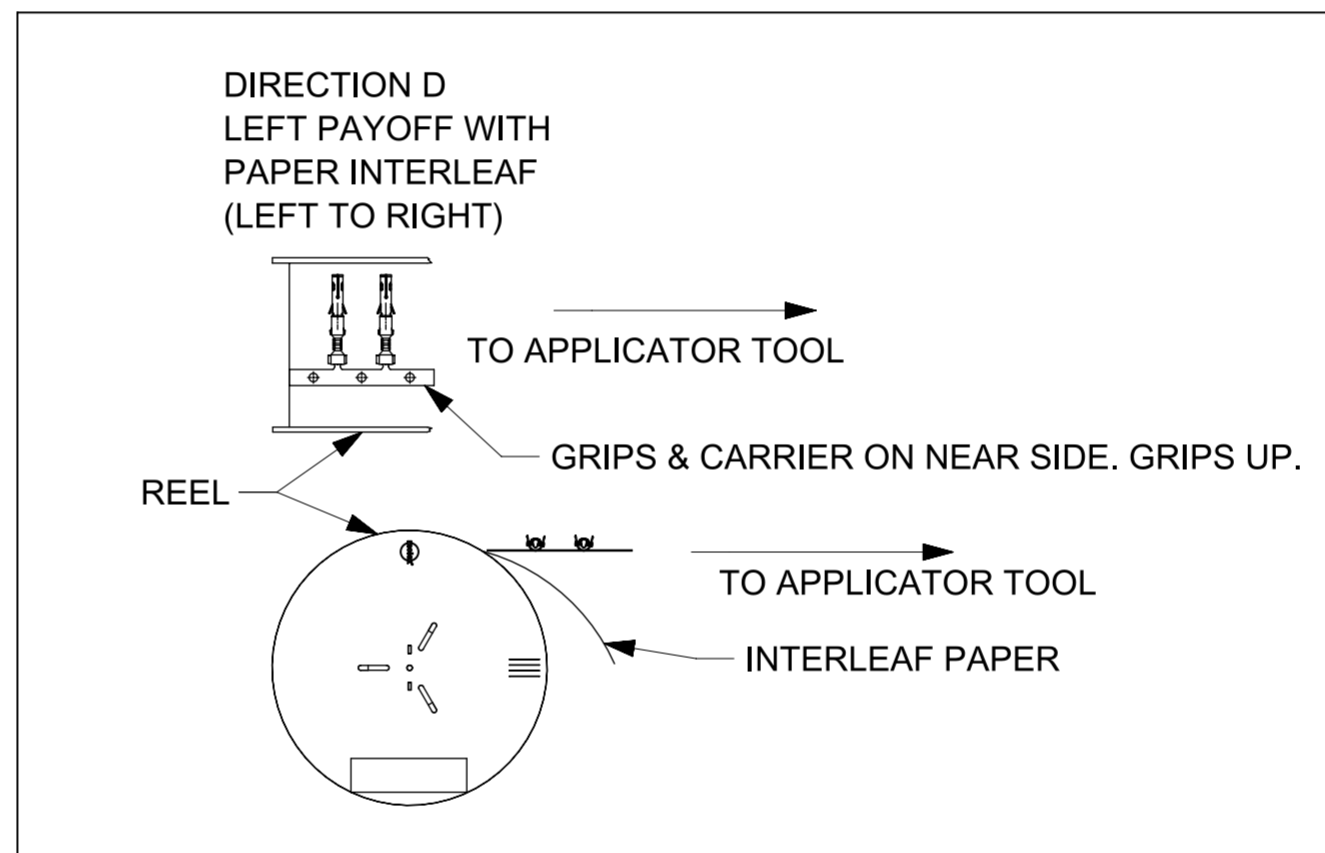
SECTION D-D



STRIP LAYOUT



REELING DIRECTIONS



SI. NO	PART NUMBER	WIRE RANGE	WIRE STYLE	DIM A	DIM B	DIM X	DIM Y
1	1501811016	16-18 AWG	16 AWG, UL1061	2.96	2.90	2.72	2.71
			18 AWG, UL1007	2.96	2.90	2.72	2.71
			18 AWG, UL1061	2.96	2.90	2.72	2.71
2	1501811020	20-22 AWG	20 AWG, UL1007	2.58	2.40	2.44	2.03
			20 AWG, UL1061	2.58	2.40	2.44	2.03
			22 AWG, UL1007	2.58	2.40	2.44	2.03
			22 AWG, UL1061	2.58	2.40	2.44	2.03

- NOTES:
1. MATERIAL: CARTRIDGE BRASS ALLOY.
 2. FINISH: PREPLATED OVERALL TIN ONLY- BRIGHT FINISH AND MIN THICKNESS 1.5µm.
 3. PRODUCT SPECIFICATION: 1501760001-PS.
 4. PACKAGING SPEC. REFER PK-150180-001.
 5. THIS PART CONFORMS TO CLASS B REQUIREMENTS OF COSMETIC SPEC PS-45499-002.
 6. TERMINAL TO BE USED WITH SERIES 150178 AND 150179.
 7. TERMINAL MATES WITH THE SERIES 150180.

FUNCTIONAL SYMBOLS	THIS DRAWING CONTAINS INFORMATION THAT IS PROPRIETARY TO MOLEX ELECTRONIC TECHNOLOGIES, LLC AND SHOULD NOT BE USED WITHOUT WRITTEN PERMISSION	CURRENT REV DESC: DESCRIPTION UPDATED															
	<table border="1"> <tr> <th>DIMENSION UNITS</th> <th>SCALE</th> </tr> <tr> <td>FA = 0</td> <td>10:1</td> </tr> </table>	DIMENSION UNITS	SCALE	FA = 0	10:1	<table border="1"> <tr> <th>GENERAL TOLERANCES (UNLESS SPECIFIED)</th> </tr> <tr> <td>ANGULAR TOL ± 0.5°</td> </tr> <tr> <td>4 PLACES ±</td> </tr> <tr> <td>3 PLACES ±</td> </tr> <tr> <td>2 PLACES ± 0.25</td> </tr> <tr> <td>1 PLACE ± 0.35</td> </tr> <tr> <td>0 PLACES ±</td> </tr> </table>		GENERAL TOLERANCES (UNLESS SPECIFIED)	ANGULAR TOL ± 0.5°	4 PLACES ±	3 PLACES ±	2 PLACES ± 0.25	1 PLACE ± 0.35	0 PLACES ±			
DIMENSION UNITS	SCALE																
FA = 0	10:1																
GENERAL TOLERANCES (UNLESS SPECIFIED)																	
ANGULAR TOL ± 0.5°																	
4 PLACES ±																	
3 PLACES ±																	
2 PLACES ± 0.25																	
1 PLACE ± 0.35																	
0 PLACES ±																	
DIVISIONAL SYMBOLS	<table border="1"> <tr> <td>EC NO: 647195</td> <td>2020/10/09</td> </tr> <tr> <td>DRWN: PRADEA</td> <td>2020/10/19</td> </tr> <tr> <td>CHK'D: NCSR</td> <td>2020/10/19</td> </tr> <tr> <td>APPR: NCSR</td> <td>2020/10/19</td> </tr> </table>	EC NO: 647195	2020/10/09	DRWN: PRADEA	2020/10/19	CHK'D: NCSR	2020/10/19	APPR: NCSR	2020/10/19	<table border="1"> <tr> <td>INITIAL REVISION:</td> <td></td> </tr> <tr> <td>DRWN: SS06</td> <td>2015/05/28</td> </tr> <tr> <td>APPR: KPRASAD</td> <td>2015/06/04</td> </tr> </table>		INITIAL REVISION:		DRWN: SS06	2015/05/28	APPR: KPRASAD	2015/06/04
EC NO: 647195	2020/10/09																
DRWN: PRADEA	2020/10/19																
CHK'D: NCSR	2020/10/19																
APPR: NCSR	2020/10/19																
INITIAL REVISION:																	
DRWN: SS06	2015/05/28																
APPR: KPRASAD	2015/06/04																
<table border="1"> <tr> <th>DOCUMENT NUMBER</th> <th>DOC TYPE</th> <th>DOC PART</th> <th>REVISION</th> </tr> <tr> <td>SD-150181-0001</td> <td>PSD</td> <td>000</td> <td>B1</td> </tr> </table>		DOCUMENT NUMBER	DOC TYPE	DOC PART	REVISION	SD-150181-0001	PSD	000	B1	<table border="1"> <tr> <th>MATERIAL NUMBER</th> <th>CUSTOMER</th> <th>SHEET NUMBER</th> </tr> <tr> <td>SEE CHART</td> <td>GENERAL MARKET</td> <td>1 OF 1</td> </tr> </table>		MATERIAL NUMBER	CUSTOMER	SHEET NUMBER	SEE CHART	GENERAL MARKET	1 OF 1
DOCUMENT NUMBER	DOC TYPE	DOC PART	REVISION														
SD-150181-0001	PSD	000	B1														
MATERIAL NUMBER	CUSTOMER	SHEET NUMBER															
SEE CHART	GENERAL MARKET	1 OF 1															
<table border="1"> <tr> <th>DRAFT WHERE APPLICABLE MUST REMAIN WITHIN DIMENSIONS</th> <th>THIRD ANGLE PROJECTION</th> <th>DRAWING</th> <th>SERIES</th> </tr> <tr> <td></td> <td></td> <td>A2-SIZE</td> <td>150181</td> </tr> </table>		DRAFT WHERE APPLICABLE MUST REMAIN WITHIN DIMENSIONS	THIRD ANGLE PROJECTION	DRAWING	SERIES			A2-SIZE	150181								
DRAFT WHERE APPLICABLE MUST REMAIN WITHIN DIMENSIONS	THIRD ANGLE PROJECTION	DRAWING	SERIES														
		A2-SIZE	150181														

DOCUMENT STATUS	P1	RELEASE DATE	2020/10/19	14:19:14
-----------------	----	--------------	------------	----------