
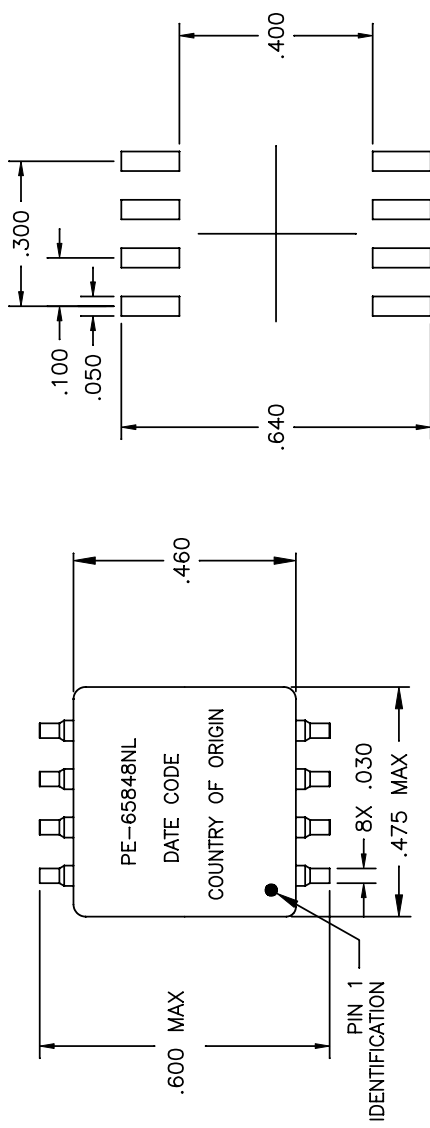


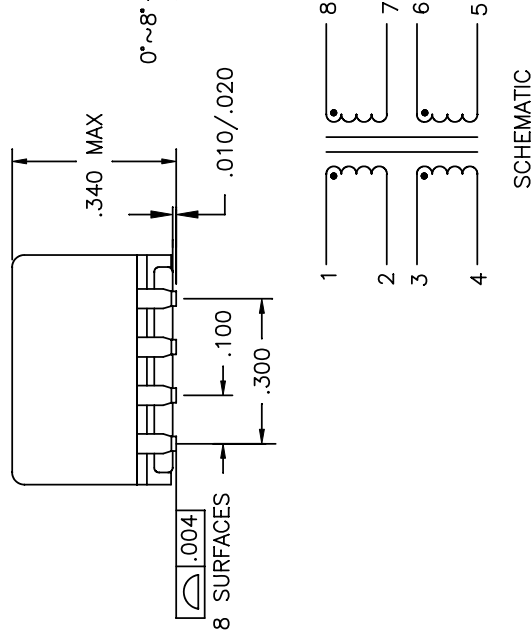
NOTES: UNLESS OTHERWISE SPECIFIED

- NOTICE:** THIS IS A RoHS COMPLIANT COMPONENT/PRODUCT. ALL ENGINEERING CHANGES MUST HAVE PRIOR APPROVAL BY THE DESIGN CENTER.

RoHS 
- PLASTIC:** THERMOSET PLASTIC MATERIAL WITH FLAMMABILITY RATING UL 94V-0 OR BETTER.
- SOLDERABILITY:** CONFORMS TO ANSI/J-STD-002, 245°C REFLOW PEAK TEMPERATURE PER IPC/EIA J-STD-003A
- OPERATING TEMPERATURE:** 0°C TO +70°C
- STORAGE TEMPERATURE:** -20°C TO +125°C
- JEDEC MOISTURE:** LEVEL 1
- DIMENSIONS ARE IN INCHES WITH THE FOLLOWING TOLERANCES:**
.XX = ±.02 .XXX = ±.010



SUGGESTED LAND PATTERN



SCHEMATIC

ELECTRICAL CHARACTERISTICS AT +25°C UNLESS OTHER SPECIFIED

No.	PARAMETER	SPECIFICATION
1	TURNS RATIO @10 KHZ, 0.2 VRMS $\frac{(1-2)}{(3-4)} = \frac{(1-2)}{(8-7)} = \frac{(8-7)}{(6-5)} = 1 \pm 2\%$	
2	PRIMARY INDUCTANCE: @.10 VRMS, 100 KHZ (8-5) WITH (7-6) SHORTED = 3.5 mH MINIMUM, 6.5 mH MAXIMUM (8-5) WITH (7-6) SHORTED = 3.0 mH MINIMUM AT 0°C (8-5) WITH (7-6), (1-4), (2-3) SHORTED = .80 uH MAXIMUM	
3	LEAKAGE INDUCTANCE (LL) @.02 VRMS, 100 KHZ (1-4) TO (8-5) WITH (2-3), (7-6) SHORTED = 40 pF MAXIMUM	
4	CWW @.02 mVRMS, 100 KHZ 0.50 OHMS MAXIMUM	
5	DCR: 0.50 OHMS MAXIMUM	
6	DISTRIBUTED CAPACITANCE: @.02 VRMS, 3 MHZ (8-5) WITH (7-6) SHORTED = 11 pF MAXIMUM	
7	CMRR 1 MHZ -40 dB MINIMUM 8 MHZ -26 dB MINIMUM	
8	HIPOT: 1500 VRMS FOR 60 SECONDS	

© Copyright, 2013. Pulse Electronics Corp. All rights reserved. Drawing specifications subject to change without notice. (08/08/13)

PULSE CONFIDENTIAL
&
PROPRIETARY

PRODUCT DESCRIPTION
XFMR,SGL,ECH,LA, 1.25MB,NL

PS DRAWING

SHEET: 1

DWG. NO./ PART NO.

PE-65848NL

REV.

M12