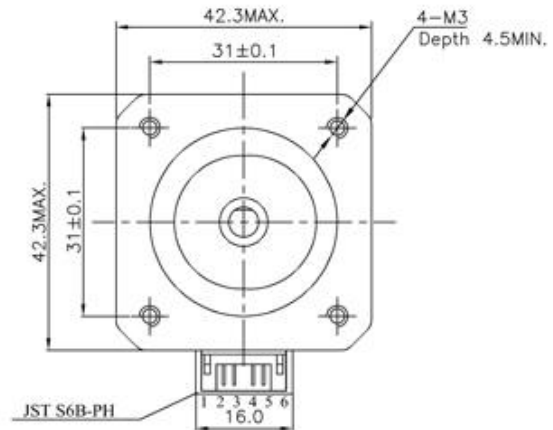
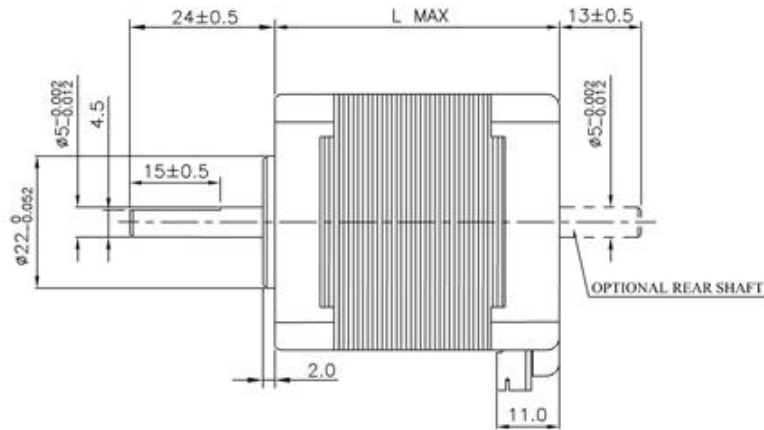
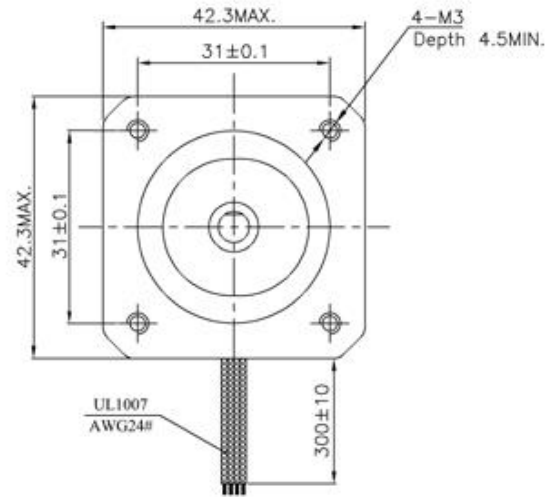
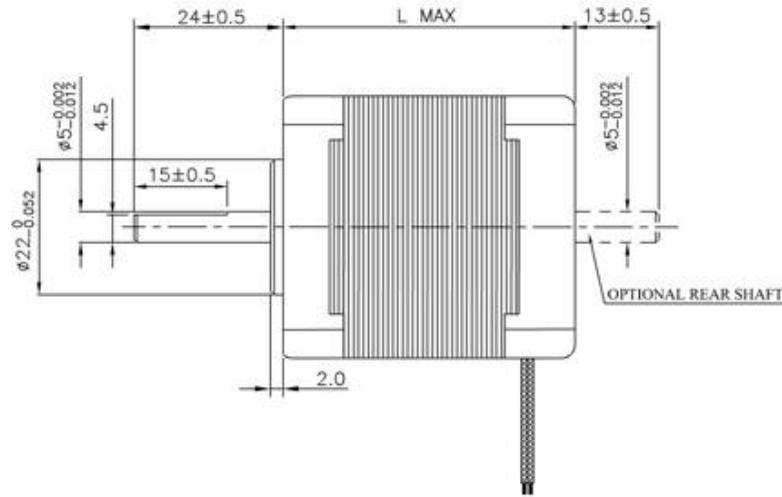


# Nema 17 (42mm)

## Plug-in Connector



## Leads/Wires



Item	Specifications
Step Angle	1.8°
Step Angle Accuracy	1.8°±5% (full step, no load)
Resistance Accuracy	±10%
Inductance Accuracy	±20%
Temperature Rise	80°C Max.(2 phase on)
Ambient Temperature	-20°C~+50°C
Insulation Class	B, 130°C
Insulation Resistance	100MΩMin. , 500VDC
Shaft Radial Play	0.02Max. (450 g-load)
Shaft Axial Play	0.08Max. (450 g-load)
Max. radial force	28N (20mm from the flange)
Max. axial force	10N

#### 4 Lead Bi-Polar

Dimension "L" Max	Model # Single Shaft	Rated Current (Amps/Phase)	Holdin g Torqu e (oz.in)	Holdin g Torque (kg.cm)	Resistance (Ohms/Phase)	Inductanc e (mH/Phase)	Inertia (g.cm <sup>2</sup> )	Detent Torqu e (g.cm)	Weigh t (kg)
26.0mm (1.02")	MT- 1701HS040 A	0.40	24.0	1.7	24.0	36.0	20	75	0.15
	MT- 1701HS140 A	1.40	21.0	1.5	1.9	2.0	20	75	0.15
34.0mm (1.34")	MT- 1702HS031 A	0.31	35.0	2.5	38.5	21.0	35	120	0.22
	MT- 1702HS133 A	1.33	44.0	3.2	2.1	2.5	35	120	0.22
40.0mm (1.58")	MT- 1703HS040 A	0.40	56.0	4.0	30.0	58.0	54	150	0.28
	MT- 1703HS120 A	1.20	62.0	4.4	3.0	6.0	54	150	0.28
	MT- 1703HS168 A	1.68	62.0	4.4	1.65	3.6	54	150	0.28
48.0mm (1.89")	MT- 1704HS050 A	0.50	70.0	5.0	24.0	36.0	68	200	0.35
	MT- 1704HS150 A	1.50	77.0	5.5	2.8	5.5	68	200	0.35
	MT- 1704HS168 A	1.68	77.0	5.5	1.65	2.8	68	200	0.35
60mm (2.36")	MT- 1705HS200	2.00	114	8.2	2.0	3.3	102	280	0.55

	A								
--	---	--	--	--	--	--	--	--	--

### 6 Lead Uni-Polar

Dimension "L" Max	Model # Single Shaft	Rated Current (Amps/Phase)	Holdin g Torqu e (oz.in)	Holdin g Torque (kg.cm )	Resistance (Ohms/Phase)	Inductanc e (mH/Phase)	Inertia (g.cm <sup>2</sup> )	Detent Torq ue (g.cm)	Weigh t (kg)
34.0mm (1.34")	MT- 1702HS0956 A	0.95	22.0	1.6	4.2	2.5	35	120	0.22
40.0mm (1.58")	MT- 1703HS0406 A	0.40	37.5	2.7	30.0	30.0	54	150	0.28
48.0mm (1.89")	MT- 1704HS0406 A	0.40	45.0	3.2	30.0	25.0	68	200	0.35
60mm (2.36")	MT- 1705HS1206 A	1.20	90.0	6.5	6.0	7.0	102	280	0.55