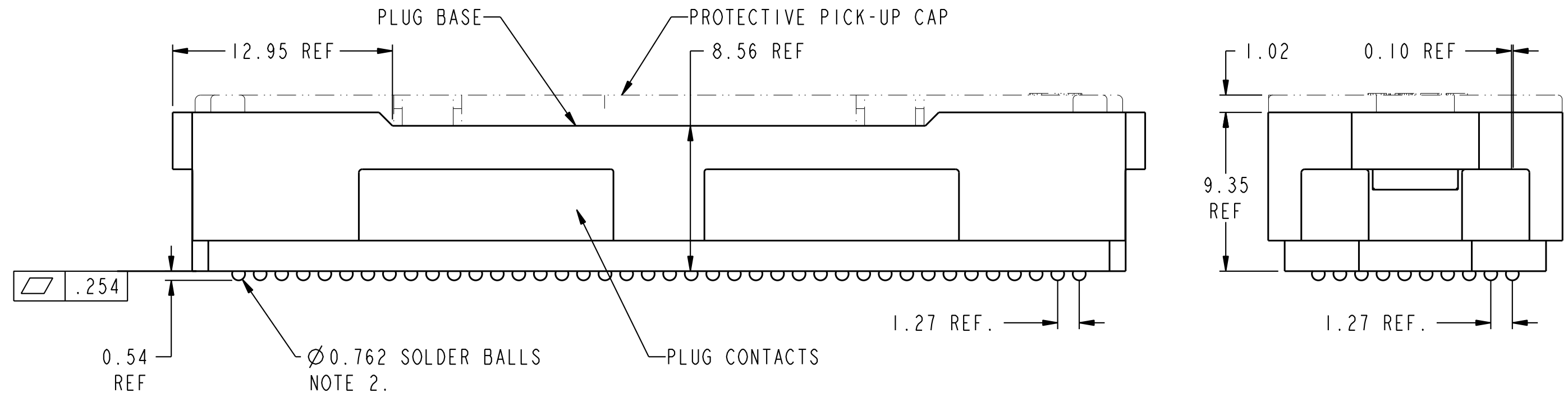
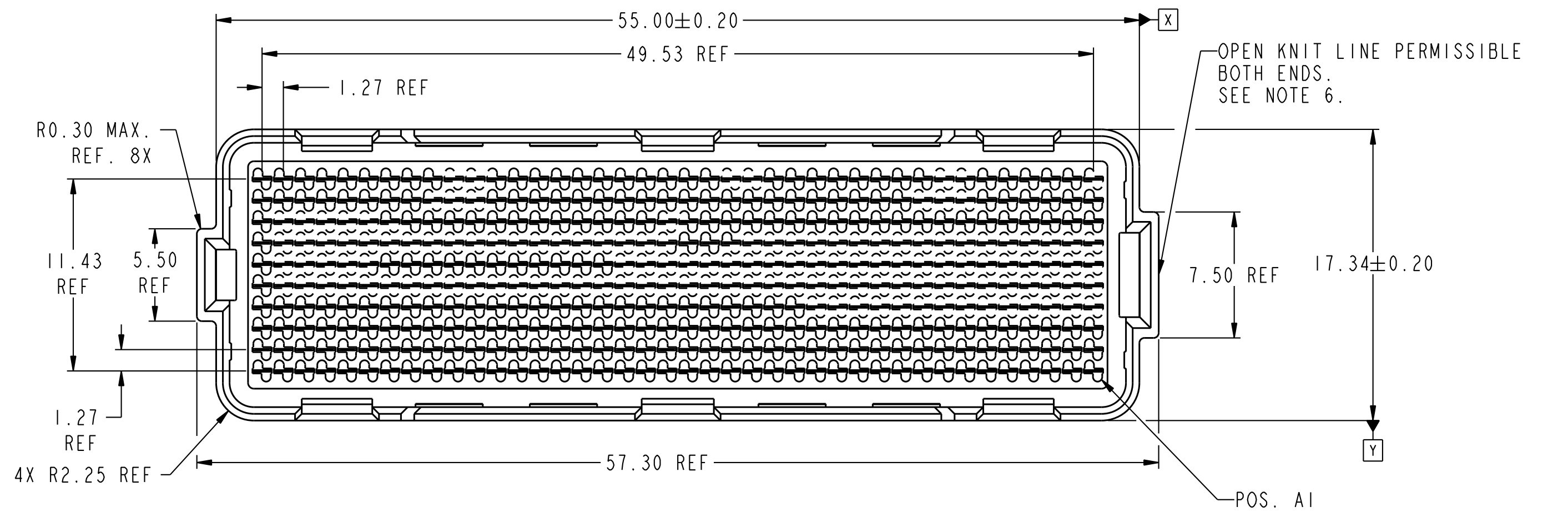


Amphenol  
FCi

© 2016 AFCI



⊕ Ø .30 X Y

spec ref	-	dr	wcadmin, wcadm	1999/08/19	projection	mm	size	A3	scale	4:1
tolerance std	ASME Y14.5	eng	Robert Brown	2020/08/25			ecn no	ELX-V-38117-1	rel level	Released
TOLERANCES UNLESS OTHERWISE SPECIFIED		chr	-	product family						
surface	ASME Y14.5	linear	0.X	±0.3	<b>Amphenol FCI</b> 6.0mm PLUG ASSEMBLY 10 X 40 = 400 POSITIONS www.fci.com		cat. no. Product - Customer Drw	dwg no 84520	rev J	sheet 1 of 5
		angular	0°	±2°	STATUS: Released Printed: Aug 26, 2020					

A

B

C

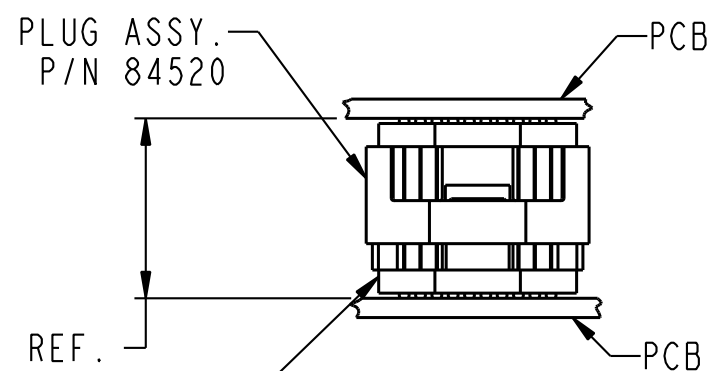
D

A

B

C

D

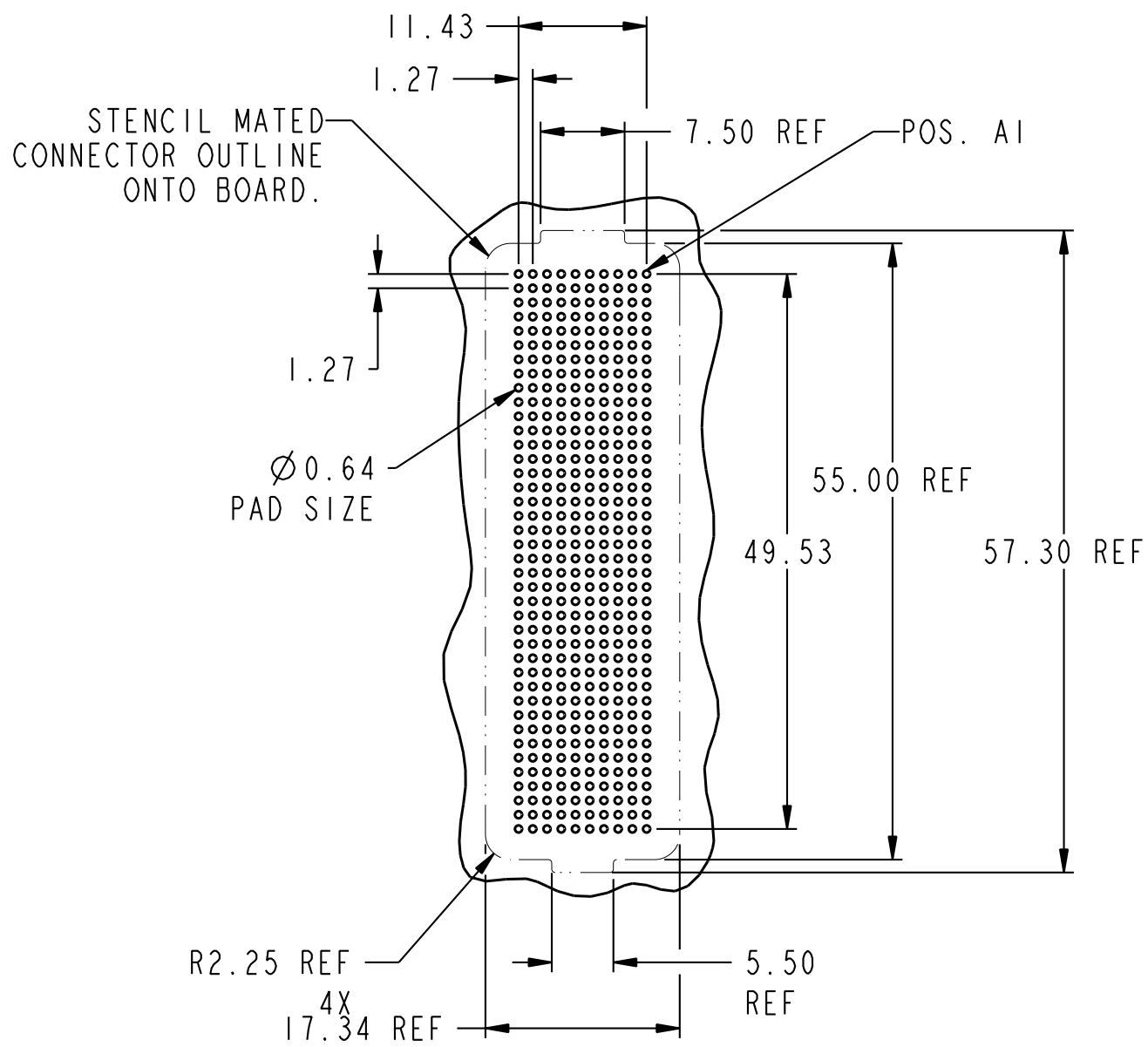


DIM "A" REF.  
MATED HEIGHT  
AFTER REFLOW  
SEE NOTE 3.

**END VIEW - MATED CONNECTORS**

MATED HEIGHT AFTER REFLOW IS BASED ON Ø0.64mm PAD (METAL DEFINED) AND 0.13mm SOLDER PASTE STENCIL THICKNESS. SEE NOTE 3.

RECPT. ASSY.  
(SEE TABLE BELOW)



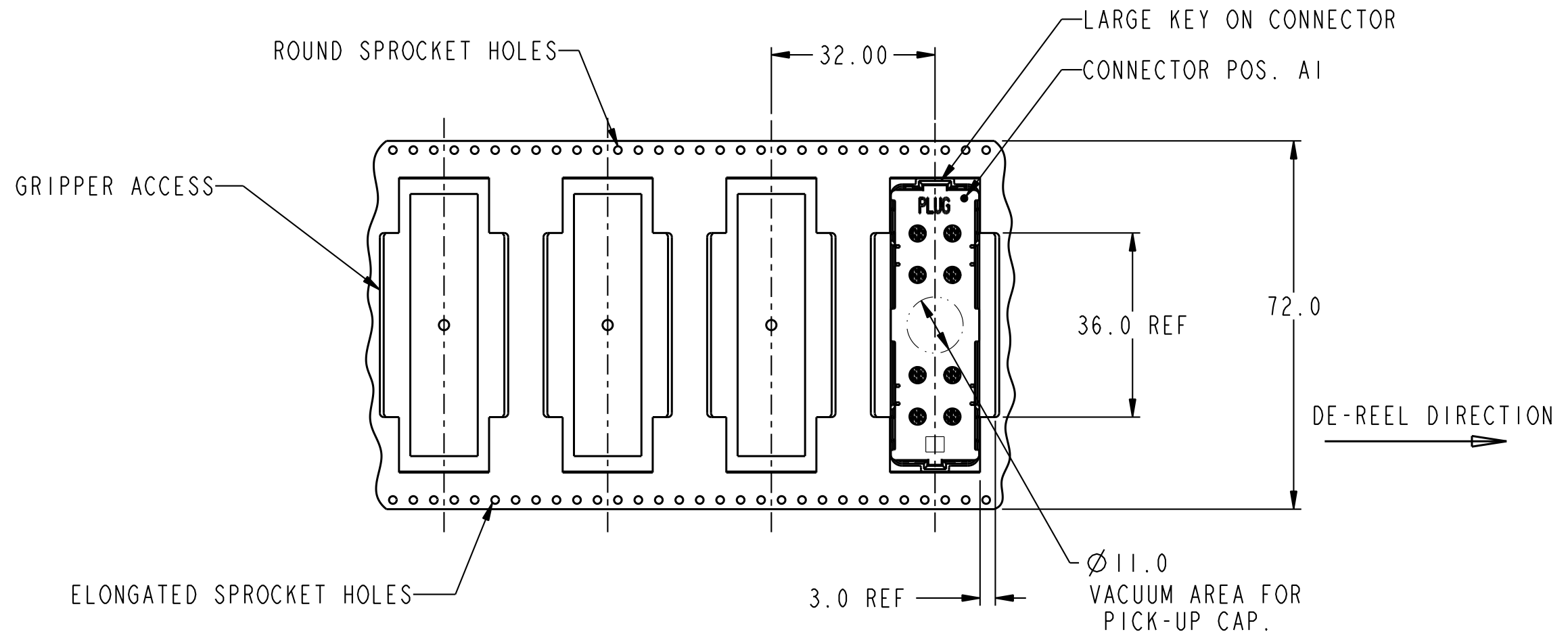
**BOARD PATTERN**

MATED HEIGHT TABLE		
DIM. "A"	RECPT. ASSY. P/N	-2XX PLATING
10.0	74221	SEE NOTE 4
12.0	74388	SEE NOTE 5
14.0	74390	SEE NOTE 5

Amphenol  
FCi

© 2016 AFCI

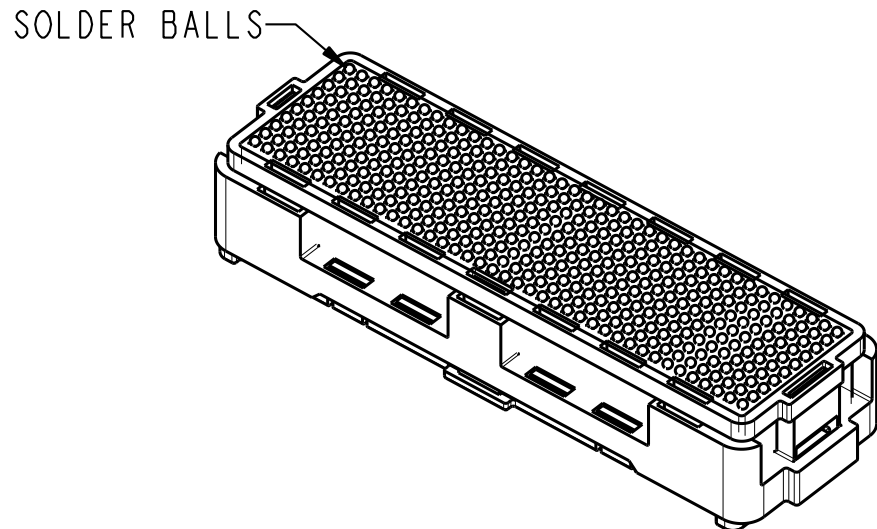
spec ref	-	dr	wcadmin, wcadm	1999/08/19	projection	mm	size	A3	scale	10:1
tolerance std	ASME Y14.5	eng	Robert Brown	2020/08/25			ecn no	ELX-V-38117-1	rel level	Released
	TOLERANCES UNLESS OTHERWISE SPECIFIED	chr	-	2020/08/25						
surface		linear	0.X	±0.3	<b>Amphenol FCI</b> 6.0mm PLUG ASSEMBLY 10 X 40 = 400 POSITIONS www.fci.com		dwg no	84520	rev	J
			0.XX	±0.13						
			0.XXX	±0.051						
ASME Y14.5	angular	0°	±2°	cat. no.	Product - Customer Drw		sheet 2 of 5			



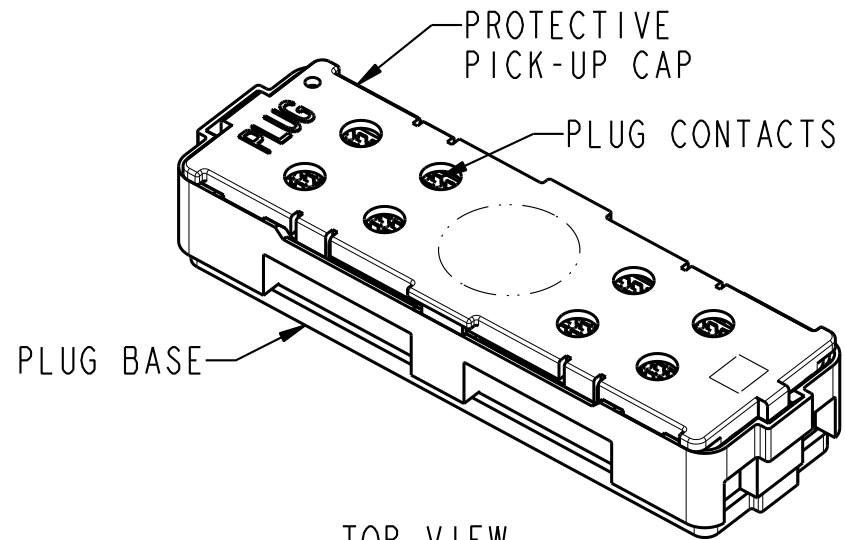
**TAPE & REEL PACKAGING**  
PER EIA 481-3

spec ref -		dr wadmin, wcadm	1999/08/19	projection	mm	size A3	scale 2:1
tolerance std ASME Y14.5	TOLERANCES UNLESS OTHERWISE SPECIFIED		eng Robert Brown	2020/08/25		ecn no ELX-V-38117-1	
			chr -	-		product family MEG-ARRAY	rel level Released
surface		linear	0.X ±0.3	<b>Amphenol FCI</b> title 6.0mm PLUG ASSEMBLY 10 X 40 = 400 POSITIONS www.fci.com cat. no.	dwg no 84520	rev J	sheet 3 of 5
			0.XX ±0.13				
ASME Y14.5	angular	0° ±2°					
Product - Customer Drw				STATUS: Released			

PRODUCT NUMBER	PICK-UP CAP (NATURAL OR BLACK COLOR)	CONTACT PLATING AND THICKNESS	SOLDER BALL	NOTES
84520-002	YES	15μ" / (.38μm) Au	SnPb	
84520-002LF	YES	15μ" / (.38μm) Au	LEAD FREE	8
84520-092	YES	15μ" / (.38μm) GXT	SnPb	
84520-092LF	YES	15μ" / (.38μm) GXT	LEAD FREE	8
84520-102	YES	30μ" / (.76μm) Au	SnPb	
84520-102LF	YES	30μ" / (.76μm) Au	LEAD FREE	8
84520-192	YES	30μ" / (.76μm) GXT	SnPb	
84520-192LF	YES	30μ" / (.76μm) GXT	LEAD FREE	8
84520-202	YES	50μ" / (1.27μm) Au SPECIAL	SnPb	4 AND 5
84520-202LF	YES	50μ" / (1.27μm) Au SPECIAL	LEAD FREE	4, 5, AND 8
84520-292	YES	50μ" / (1.27μm) GXT SPECIAL	SnPb	4 AND 5
84520-292LF	YES	50μ" / (1.27μm) GXT SPECIAL	LEAD FREE	4, 5 AND 8
84520-102LTLF	YES	30μ" / (.76μm) Au	LOW TEMPERATURE	8
84520-192LTLF	YES	30μ" / (.76μm) GXT	LOW TEMPERATURE	8



BOTTOM VIEW



TOP VIEW

spec ref	-	dr	wcadmin, wcadm	1999/08/19	projection	mm	size	A3	scale	17:10
tolerance std	ASME Y14.5	eng	Robert Brown	2020/08/25			ecn no	ELX-V-38117-1		
	TOLERANCES UNLESS OTHERWISE SPECIFIED	chr	-					rel level	Released	
surface		linear	0.X	±0.3	<b>Amphenol FCI</b> www.fci.com	title 6.0mm PLUG ASSEMBLY 10 X 40 = 400 POSITIONS	dwg no 84520	rev J	Product - Customer Drw	
		0.XX	±0.13	sheet 4 of 5						
		0.XXX	±0.051							
ASME Y14.5	angular	0°	±2°	cat. no.	Product - Customer Drw					

PRODUCT NUMBER

SEE TABLE

NOTES:

1. MATERIAL:  
HOUSING: LCP  
CONTACT: COPPER ALLOY

PLATING:  
CONTACT: SEE TABLE ON SHEET 4  
SOLDER BALL: SEE TABLE ON SHEET 4  
EUTECTIC SnPb OR LEAD FREE  
95.5Sn/4Ag/0.5Cu

2. SOLDER BALLS WILL NOT BE PERFECT SPHERICAL SHAPE DUE TO REFLOW ATTACHMENT.

3. MATED HEIGHT EFFECTED BY CUSTOMER'S PCB PAD SIZE, PLATING, SOLDER REFLOW PROFILE & SOLDER PASTE.

4. PLATING FOR INDICATED -2XX SERIES PRODUCT NUMBERS MEET THE REQUIREMENTS OF GR-1217-CORE, CENTRAL OFFICE ENVIRONMENT, (25 YEAR LIFE EXPECTANCY).

5. PLATING FOR INDICATED -2XX SERIES PART NOS. IS Au OVER Ni WITH SPECIAL CONTACT GEOMETRY TO MEETS REQUIREMENTS OF TELCORDIA GR-1217-CORE: CENTRAL OFFICE ENVIRONMENT.

6. KNIT LINE: SLIGHT VISIBLE MARKS (USUALLY A LINE) INDICATING THE DIRECTION AND MEETING POINT OF PLASTIC RESIN FLOW FRONTS TRAVELING AROUND ANY OBSTRUCTIONS TO THE RESIN FLOW VIA THE REQUIRED MOLD TOOLING.

7. FOR PROPER APPLICATION FOLLOW FCI APPLICATION SPECIFICATION GS-20-033. LEAD FREE SOLDER BALLS WILL NOT SOLDER PROPERLY IN A LEADED SOLDER PROCESS DUE TO A HIGHER REFLOW TEMPERATURE LEAD FREE PRODUCT IS THEREFORE NOT BACKWARDS COMPATIBLE WITH LEADED OR SOME SOLDERING APPLICATIONS. REFERENCE FCI APPLICATION SPECIFICATION.

8. THIS PRODUCT MEETS EUROPEAN UNION DIRECTIVE AND OTHER COUNTRY REGULATIONS AS DESCRIBED IN GS-47-0004. PRODUCT MEETING THIS DIRECTIVE IS IDENTIFIED IN THE LOT CODE NUMBER MARKED ON EACH PART BY HAVING AN "X" IN THE SEVENTH CHARACTER POSITION.

9. 84520-302, -302LF, -402, -402LF, -502 AND -502LF ARE OBSOLETE.

11. A  $\triangle$  SYMBOL WILL BE NEXT TO ANY DIMENSION, NEW VIEW, OR NOTE WHICH HAS BEEN MODIFIED WITH THE CURRENT DRAWING REVISION.

Amphenol FCI

© 2016 AFCI

spec ref -		dr	wcadmin, wcadm	1999/08/19	projection	mm	size	A3	scale	2:1	
tolerance std	TOLERANCES UNLESS OTHERWISE SPECIFIED	eng	Robert Brown	2020/08/25		mm	ecn no		ELX-V-38117-1		
ASME Y14.5		chr	-	-			rel level		Released		
surface		linear	appr	Matthew Emenhe	2020/08/25	product family	MEG-ARRAY		rel level	Released	
ASME Y14.5	angular	0°	±2°	www.fci.com	cat. no.	6.0mm PLUG ASSEMBLY		dwg no	84520	rev	J
						10 X 40 = 400 POSITIONS					
						Product - Customer Drw		sheet 5 of 5			