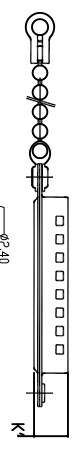


This document is the property of Amphenol Corporation and is addressed to the customer. It is not to be reproduced, modified, or used in any way without the prior consent of Amphenol Corporation. Amphenol Corporation shall not be held liable for any damage or loss of data or information to the extent permitted in this document.

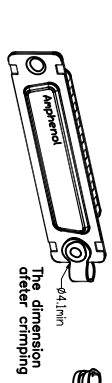
Customer drawing



Flat MALE dust cover with Chain, for use with FEMALE connector

Part number

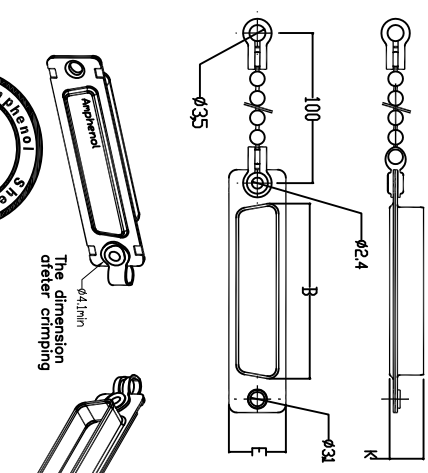
- 09 contacts or shell size E = L17D4K630 09
- 15 contacts or shell size A = L17D4K630 15
- 25 contacts or shell size B = L17D4K630 25
- 37 contacts or shell size C = L17D4K630 37
- 50 contacts or shell size D = L17D4K630 50



Flat FEMALE dust cover with Chain, for use with MALE connector

Part number

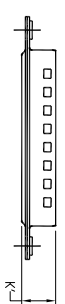
- 09 contacts or shell size E = L17D4K631 09
- 15 contacts or shell size A = L17D4K631 15
- 25 contacts or shell size B = L17D4K631 25
- 37 contacts or shell size C = L17D4K631 37
- 50 contacts or shell size D = L17D4K631 50



Flat FEMALE dust cover without Chain, for use with MALE connector

Part number

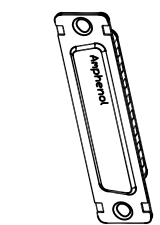
- 09 contacts or shell size E = L17D4K631 10
- 15 contacts or shell size A = L17D4K631 16
- 25 contacts or shell size B = L17D4K631 26
- 37 contacts or shell size C = L17D4K631 38
- 50 contacts or shell size D = L17D4K631 51



Flat MALE dust cover without Chain, for use with FEMALE connector

Part number

- 09 contacts or shell size E = L17D4K630 10
- 15 contacts or shell size A = L17D4K630 16
- 25 contacts or shell size B = L17D4K630 26
- 37 contacts or shell size C = L17D4K630 38
- 50 contacts or shell size D = L17D4K630 51



Flat FEMALE dust cover without Chain, for use with MALE connector

Part number

- 09 contacts or shell size E = L17D4K631 10
- 15 contacts or shell size A = L17D4K631 16
- 25 contacts or shell size B = L17D4K631 26
- 37 contacts or shell size C = L17D4K631 38
- 50 contacts or shell size D = L17D4K631 51



Shell = steel with tin plating

NOTES :
 SHELL : STEEL, 3~5um tin over 2~3um nickel
 RIVET : BRASS, 3~5um tin over 2~3um nickel
 ACCESSORY : BRASS, over 1.25um Min nickel
 CHAIN : BRASS, over 2.5um Min nickel

Size	B'	B	K'	K	E
E	16.8	16.4	7.6	7.9	12.4
A	25.1	24.8	7.6	7.9	12.4
B	38.8	38.5	7.6	7.9	12.4
C	55.3	54.9	7.6	7.9	12.4
D	52.7	52.5	7.6	7.9	15.2

REVISIONS				
SNV	EDN	DESCRIPTION	DATE	APPROVED
1	HK--	First Release Drawing	03/27/09	IP
2	HK--	Add The Material Plating	04/17/19	IP

UNLESS OTHERWISE SPECIFIED

TOLERANCES
 D.S. AMPHENOL
 FRACTIONS ±/−
 DECIMALS ±/−
 ANGLES ±/−
 HOLE LOCATIONS ±/−

FOR MATERIALS AND FINISHES
 REMOVE SHARP EDGES
 DIMENSIONS IN INCHES
 DIMENSIONS IN MM

APPROVAL
 DRAWN: Victor Li (04/07/09)
 CHECKED: Peng Tang (04/07/09)

DATE
 04/07/09

ANGLE OF PROJECTION

TITLE
 Accessory, Dust Cover

SIZE
 DRAWING NO. L17D4K63XXX
 SCALE NONE

REV.
 2

SHEET
 1 OF 1